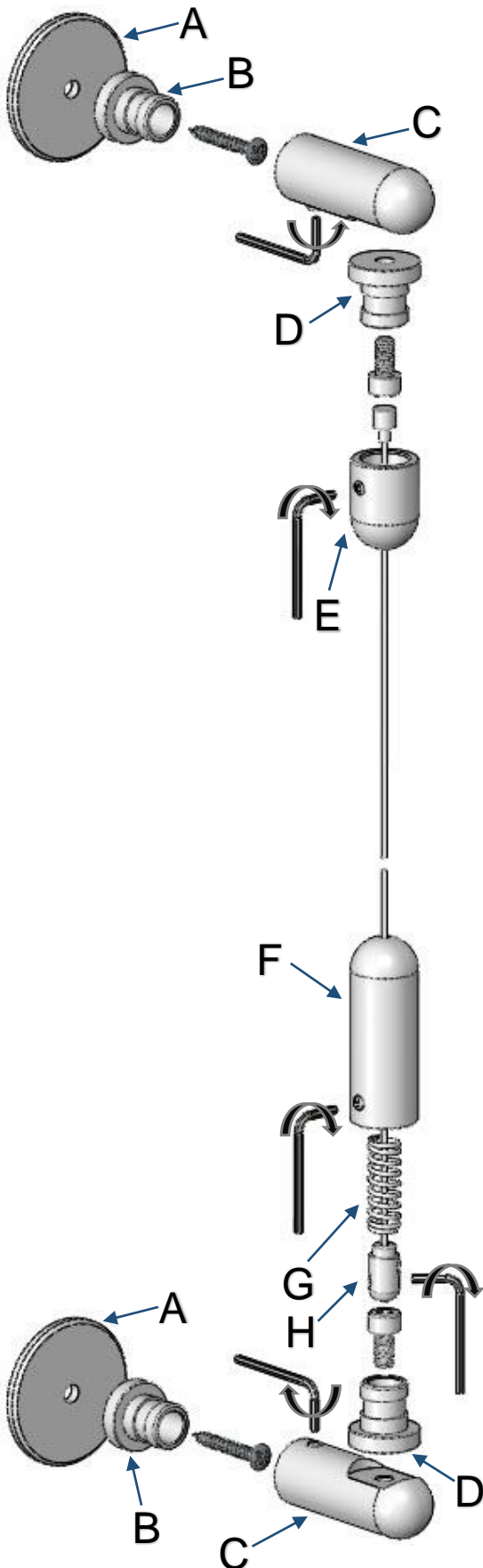


Installation Guidelines

Cable Systems



Top to Bottom (CA4) - Cable Installation

1) Fix fitting (A) to ceiling:

- for wooden ceilings use a wood screw.
- for cavity ceilings use a spring toggle bolt.
- for solid ceilings use a rawlplug and screw.

2) Screw fitting (B) to fitting (A).

3) Using a plumb-line, descend from (A), and affix (F) to the floor using appropriate type of fixing. For isolated cable remember to include the **SP/IS**.

4) Loosen the grub screws in fitting (E), using the allen key

provided, and slide fittings (C), (D), and (E) up the cable.

5) Pull down and cut off excess cable in-line with the decorative

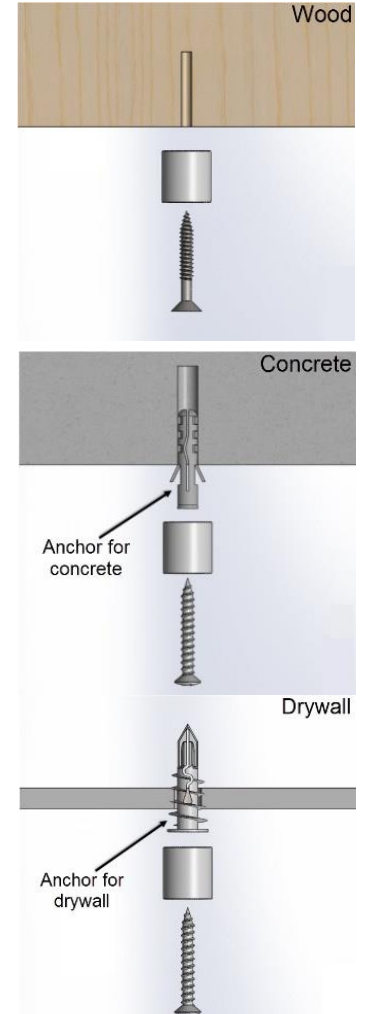
line around fitting (F) (see below).

6) Tighten (E) on the end of the cable.

7) Adjust the tension of the cable by screwing (C) into (F).

NOTE: It is important to check the strength of the top fixing. MBS takes no responsibility for incorrect installation. This responsibility rests with the installer.

Installation Tips



It is essential to check that the top ceiling fixings are strong enough to take the weight of the items being displayed, while allowing for the tension in the cables.. All installation must be done so with proper hardware and protective gears to ensure safety. It is important to check that parts are properly tightened at the end of each installation.

