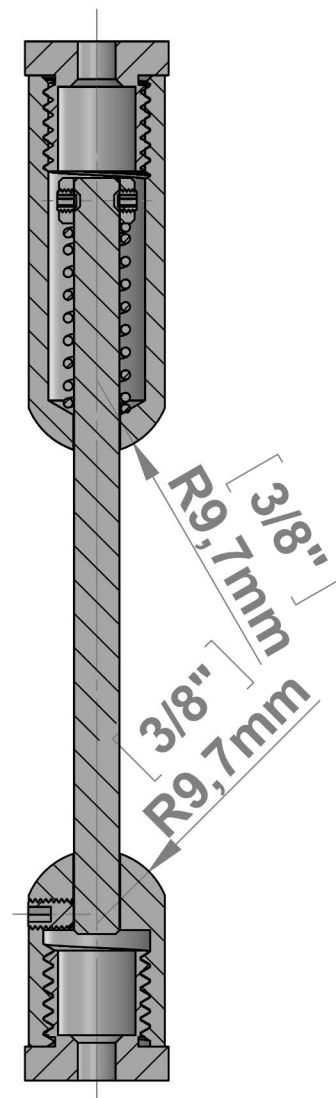
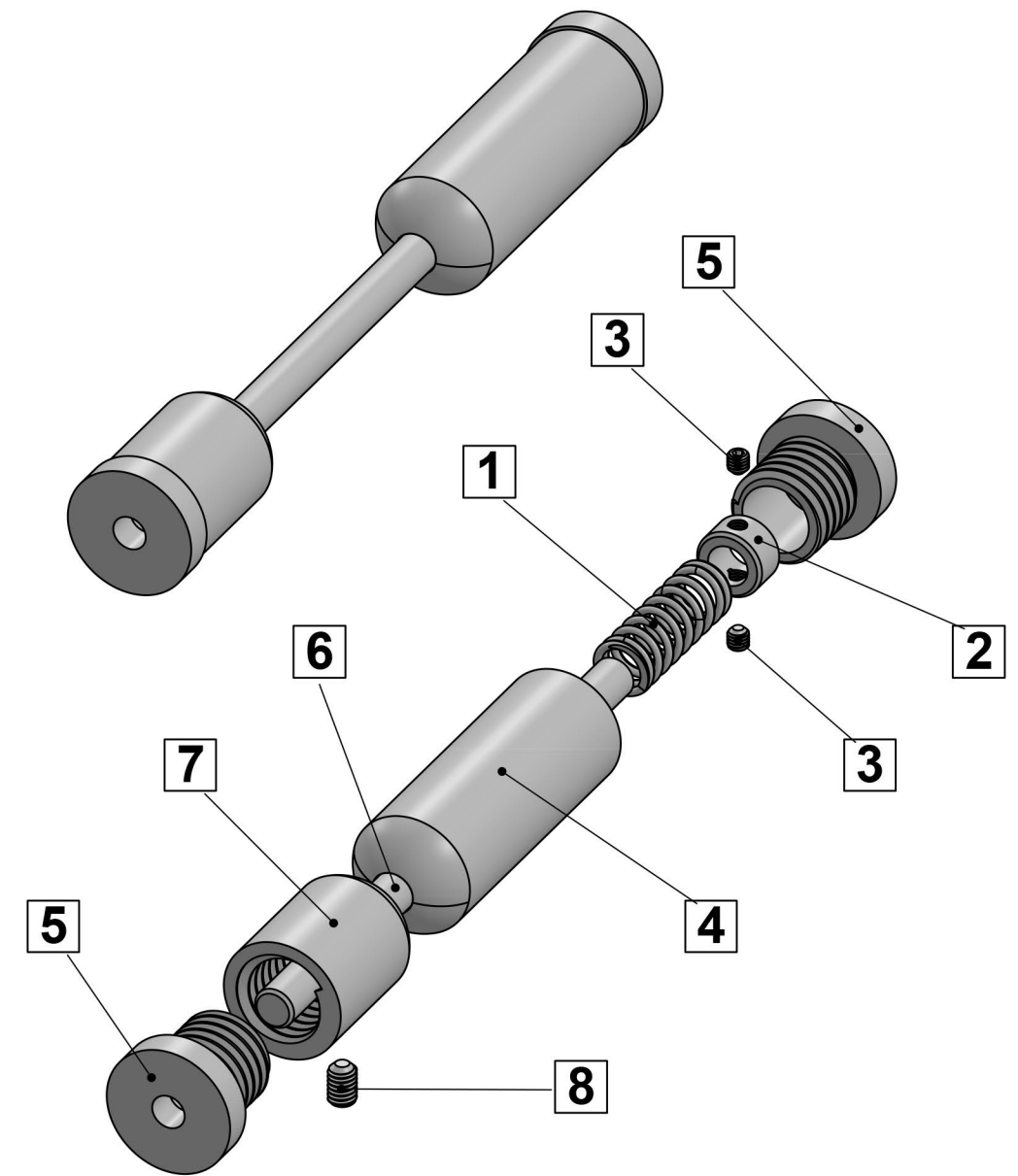


ARG1904 Without Rod  
 ARG1904-1 With Rod L 3' (1m)  
 ARG1904-2 With Rod L 4' 11" (1.5m)  
 ARG1904-3 With Rod L 6' (2m)  
 ARG1904-4 With Rod L 9' (3m)



SECTION F-F  
SCALE 1 : 1



ITEM NO.	PART NUMBER	DESCRIPTION	QTY.
1	RG1904E		1
2	RG1904C		1
3	M3x3 Réaliste		2
4	RG1904D		1
5	RG1904Aa		2
6	6mm Rod		1
7	RG1904Ba		1
8	M4x6 Réaliste		1

Title : ARG1904		Scale : 1:1		Mbs R&D	
		Sizes : Letter Landscape		Customer:	
Material:		Finish		Qty :	Rep :
N°programme laser		N°prog. Mécanum.		N° Plan : ARG1904	