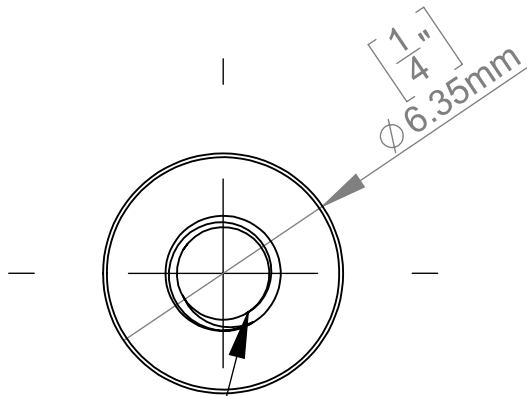
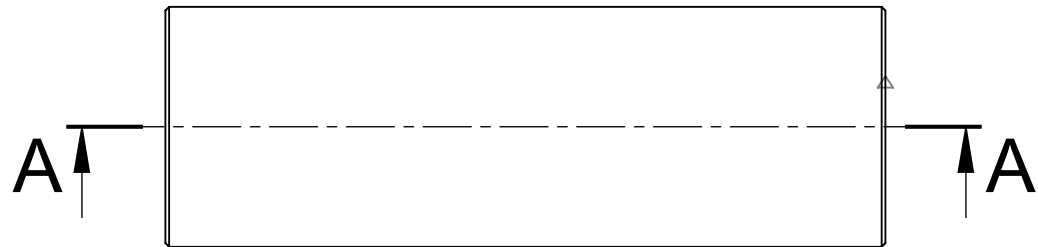


SECTION A-A



Threaded #6-32



| | | | | | | |
|--|-------------------|--|--------------------------|--|--------------------|-------|
| Title : S025-075 | | | Scale : 5:1 | | Mbs R&D | |
| | | | Sizes : Letter Landscape | | Customer: | |
| MBS Standoffs Tel.: 813-938-6025 Tampa, FL | Material: | | Finish | | Qty : | Rep : |
| | N°programme laser | | N°prog. Mécanum. | | N° Plan : S025-075 | |