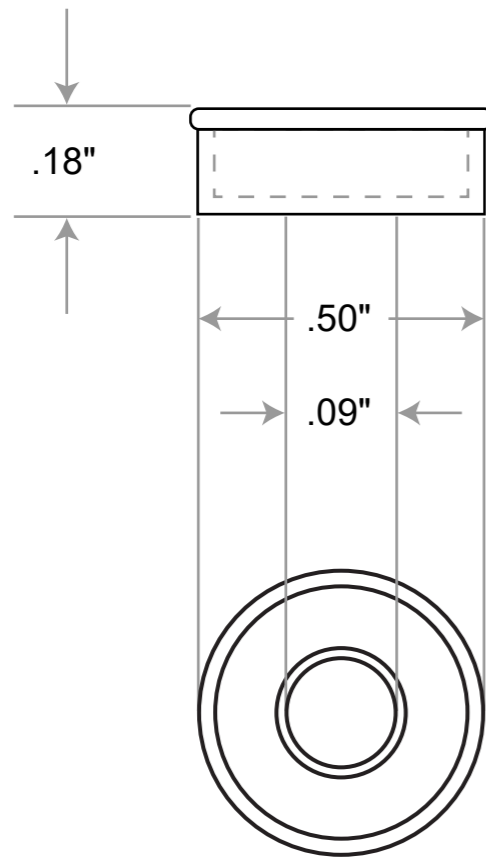


Snap-Cap washer for screw  
#10, #12, #14, M5, M6

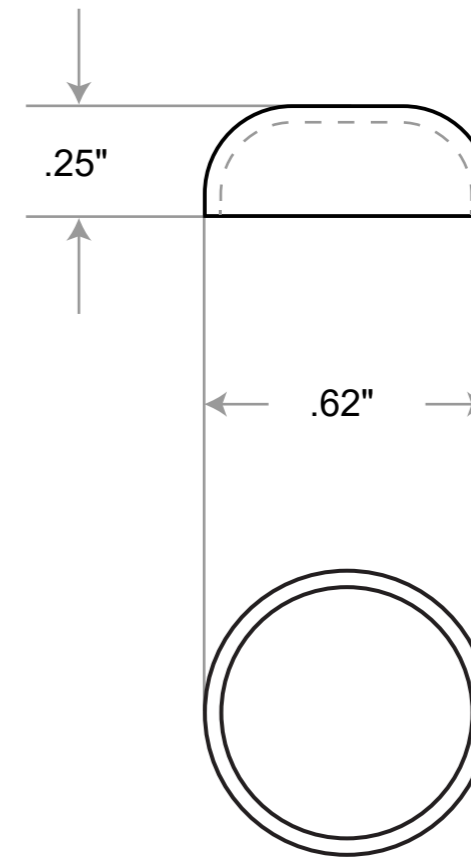


Washer for flat head  
screw use Item #: W10/12FB

Washer for countersunk  
screw use Item #: W10/12CS

*Washer Sold Separately*

Snap-Cap for screw  
#10, #12, #14, M5, M6



*Drawing Is Not To Scale*

Title: SC10/12HGG		Cap Height: 1/4"	Mbs R&D		
		Diameter: 5/8"	Customer:		
	Htm-Mbs 5046 W Linebaugh Tampa, FL 33624 T: 1 (813) 938-6025	Material: High-Impact UV Stabilized Plastic	Finish: Heritage Green Gloss	Qty:	Rep:
		N° program laser	N° prog. Mecan	N° Plan: N° Plan:	