



STANDOFFS

SCREW COVER

QUICK SNAP

PROJECTING SYSTEMS



SUSPENDED SYSTEM

Z CLIP

CABLE / ROD SYSTEM

ART HANGING SYSTEM



**America's # 1
choice for standoffs**

We Now Ship Orders Same Day From:

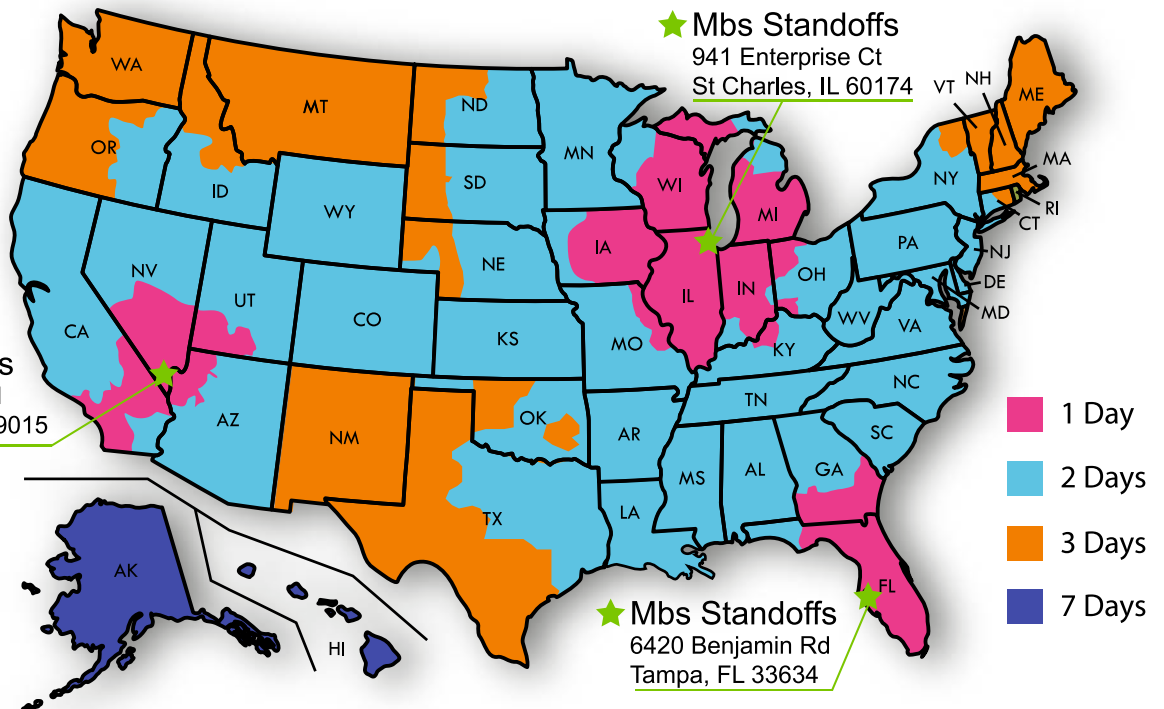
- Las Vegas, NV for the West Coast
- Tampa, FL for the South East Coast
- Chicago, IL for the North East Coast



★ Mbs Standoffs
8375 Eastgate Rd
Henderson, NV 89015

★ Mbs Standoffs
941 Enterprise Ct
St Charles, IL 60174

★ Mbs Standoffs
6420 Benjamin Rd
Tampa, FL 33634



Free Daily pickup and 1 to 2 days ground shipping to most States



AMERICA'S #1 CHOICE FOR STANDOFFS

For you and for us, the new Mbs Standoffs catalog is always an important event!

Crafted by experts for the experts, it is a complete interactive tool guide to facilitate your job, and to help you be a step ahead at all times! We are hoping to answer your questions even more precisely, as well as to enable you to take full advantage of this offer.

Either by phone, email, fax, or directly on our e-commerce website, our experts truly value the opportunity to help you in meeting all of your job requirements. Our experts are always by your side to advise you.

At Mbs, we put our heart, passion, and professionalism at your service to always offer you the best!

Constantly in the market, always exhibiting in tradeshows, we are continually innovating, and testing new products to offer you the best quality you are looking for. Our valuable specialists are trained throughout the year.

At Mbs, we assure you that we fully understand our products and market and we will provide you with the best technical guidance.

Contact us to get more information on becoming a distributor.

1-813-938-6025
sales@mbs-standoffs.com

GET ALL PRICES THROUGH OUR NEW ONLINE STORE!

- 1 LOG ON to www.mbs-standoffs.com
You can select the product you are looking for by hovering over "Products", then selecting the appropriate category.
- 2 Search using filter selection and find the right product!



- 3 Use all product tabs to find:
 - Description
 - Pictures
 - Datasheets
 - Videos
- 4 Shipping calculation and payment completed in **3 easy steps!**

COME TO MBS STANDOFFS – THE GO-TO PLACE FOR ALL YOUR PROMOTIONAL SIGN AND DISPLAY REQUIREMENTS

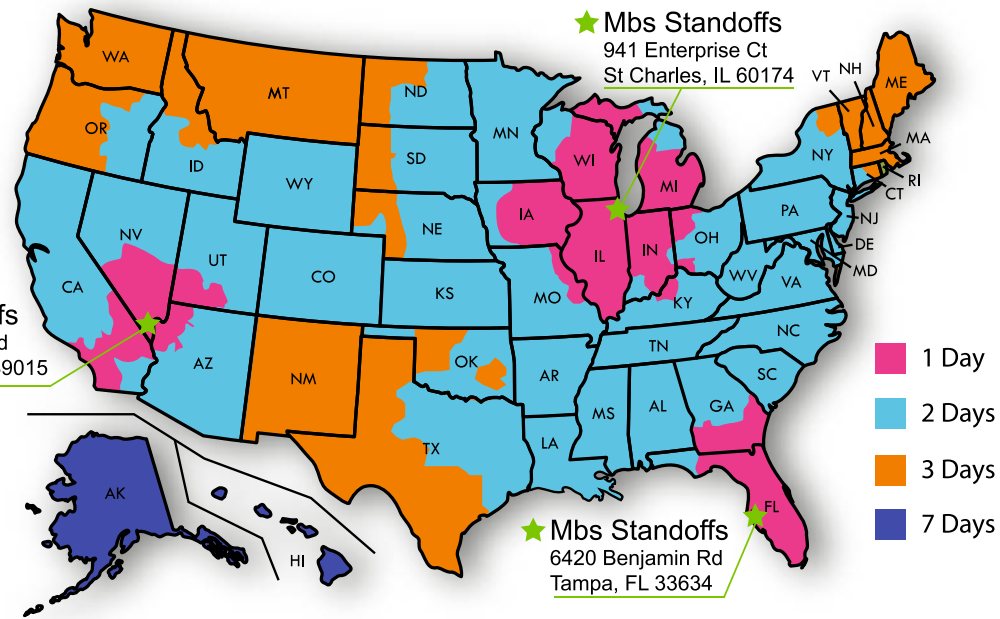
YouTube

WWW.MBS-STANDOFFS.COM

FOLLOW US ON YOUTUBE!

- Product Videos
- Instruction Guides
- Testimonials
- Ideas and more...

99.99% OF ORDERS SHIP SAME DAY!



Free Daily pickup and 1 to 2 days ground shipping to most States

Daily Pick-ups

We have a daily pick-up, so that all of our customers can take advantage of same day shipping.

Blind Shipping & Drop Shipping Available Upon Request (Fees may apply)

Don't forget we can always ship on your account.

If you are local, you can pick up your order within 30 minutes of placing your order.



Monday–Thursday up to 6:30pm,
Friday up to 5:30pm

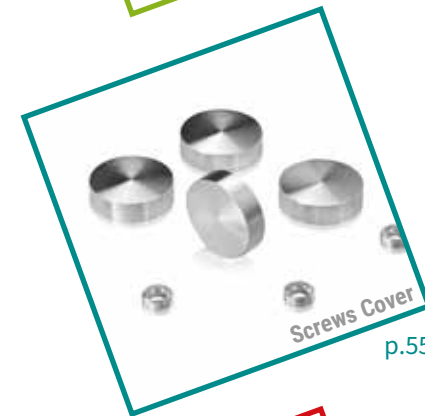


Monday–Thursday up to: 6:30pm,
Friday up to 5:30pm

Shipping to Canada with Fedex, UPS & USPS, and anywhere in the world with DHL

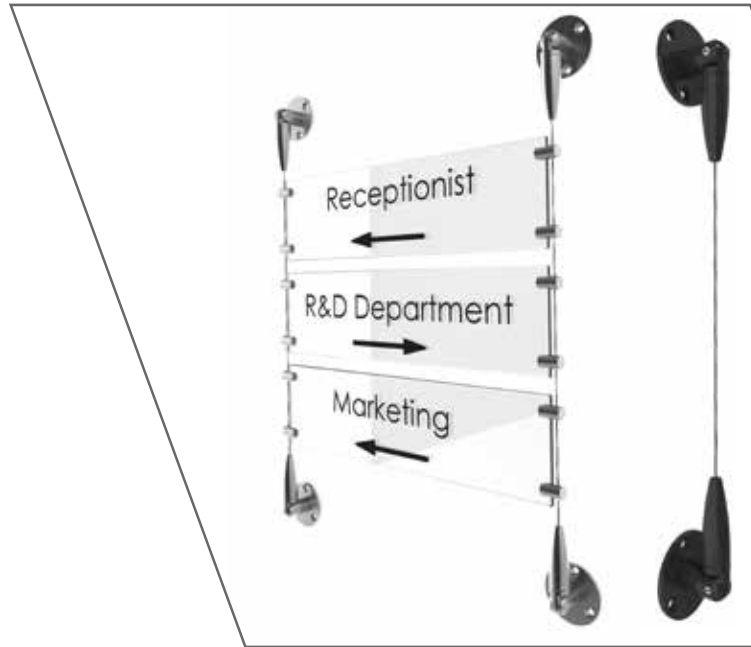


CONTENTS



NEW IN 2019

SIGNATURE CABLE SYSTEMS



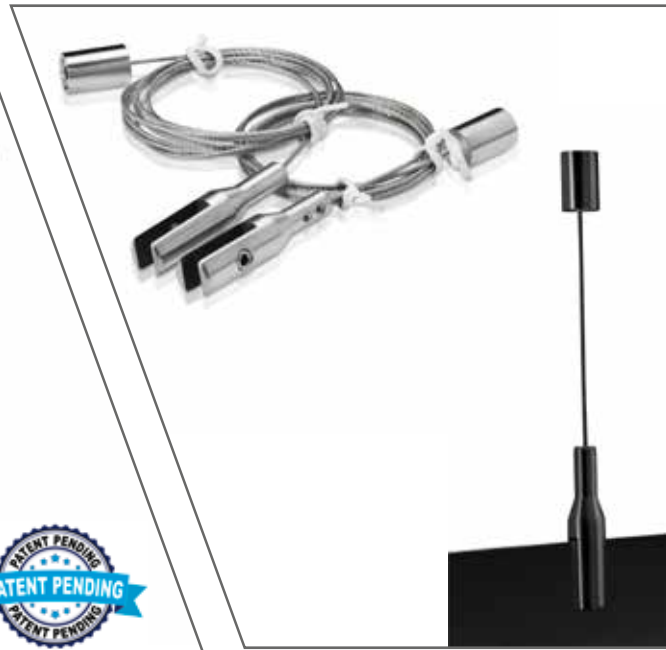
3/8" ROD SYSTEMS



3/8" PROJECTING SYSTEMS



SUSPENDED SYSTEMS



STANDOFFS / EDGE GRIP STANDOFFS

-  Aluminum "All In One" p.4
-  Stainless Steel "All In One" p.10
-  Special Standoffs p.12
-  Clear Acrylic Flat Head Standoffs p.13
-  Hollow Stainless Steel Standoffs p.15
-  Satin Stainless Steel Standoffs p.16
-  Stainless Steel Square Standoffs p.18
-  Desktop Standoffs p.20
-  Silicone & Nylon Washer p.23
-  Hardware for Standoffs p.24
-  Installation Tools for Standoffs p.25
-  Glass Standoffs p.26
-  Adjustable Edge Grip Standoffs p.28
-  Stainless Steel Edge Grip Standoffs p.30
-  Aluminum Sign Clamp p.32



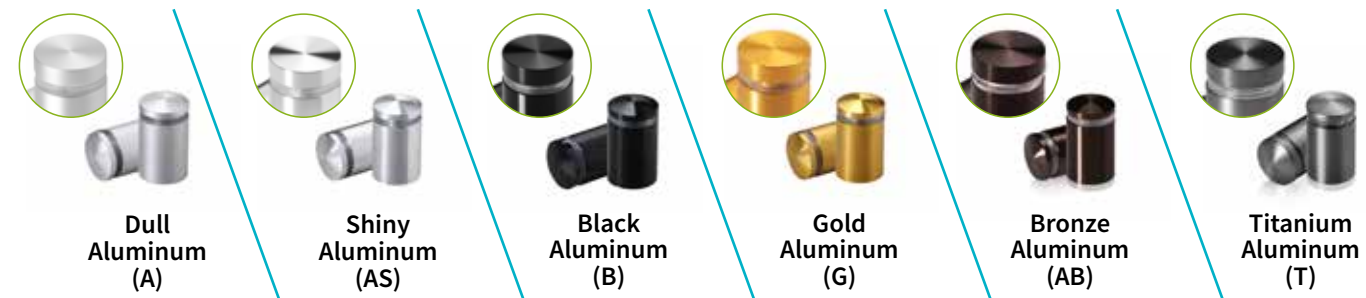
High Quality Aluminum "All In One"

Standoffs (6 Finishes) – For Indoor and Outdoor Use

- Wall mounted standoffs
- Designed from high quality solid aluminum for indoor & outdoor
- 6 different finishes
- 6 different diameters
- 5 different heights
- Mounting washers
- Mounting hardware not included



ROUNDED or FLAT HEAD



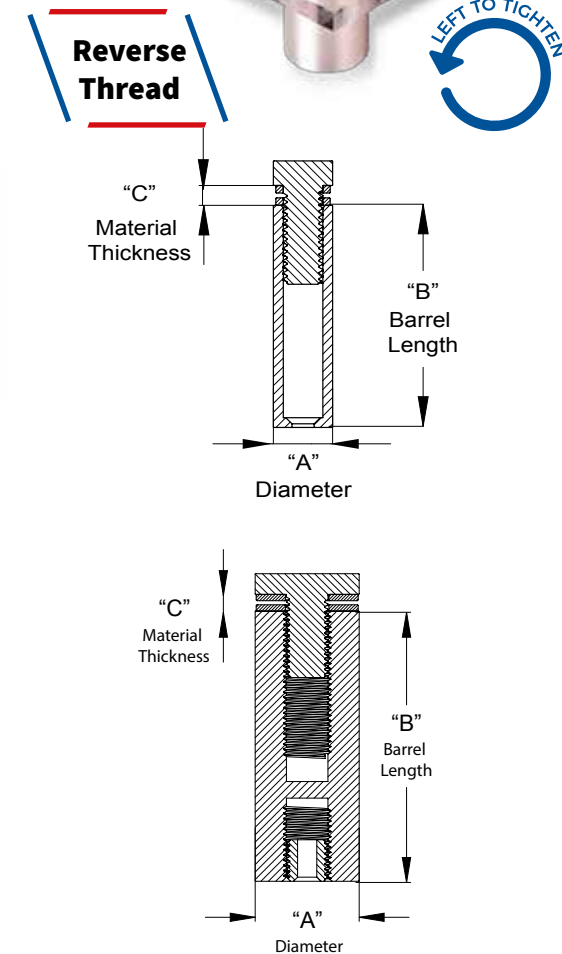
Inexpensive Aluminum Tamper Proof "All in One"

Tamper Proof Standoffs Engineered with a Reverse Thread – for Indoor and Outdoor Use

Diameter 'A'	Standoff 'B'	Material Thickness 'C'	Aluminum Rounded Head						Tamper proof Aluminum flat Head					
			Dull (A)	Shiny (AS)	Black (B)	Gold (G)	Bronze (AB)	Titanium (T)	Dull (A)	Shiny (AS)	Black (B)	Gold (G)	Bronze (AB)	Titanium (T)
1/2"	1/2" (12.7 mm)	1/4" (6.35 mm)	AL12-12A	AL12-12AS	AL12-12B	AL12-12G	AL12-12AB	AL12-12T	FAH12-12A	FAH12-12AS	FAH12-12B	FAH12-12G	FAH12-12AB	FAH12-12T
	3/4" (19.0 mm)	0 to 1/2" (12.7 mm)	AL12-25A	AL12-25AS	AL12-25B	AL12-25G	AL12-25AB	AL12-25T	FAH12-25A	FAH12-25AS	FAH12-25B	FAH12-25G	FAH12-25AB	FAH12-25T
	1" (25.4 mm)	0 to 1/2" (12.7 mm)	AL12-30A	AL12-30AS	AL12-30B	AL12-30G	AL12-30AB	AL12-30T	FAH12-30A	FAH12-30AS	FAH12-30B	FAH12-30G	FAH12-30AB	FAH12-30T
	1 3/4" (45.0 mm)	0 to 1/2" (12.7 mm)	AL12-50A	AL12-50AS	AL12-50B	AL12-50G	AL12-50AB	AL12-50T	FAH12-50A	FAH12-50AS	FAH12-50B	FAH12-50G	FAH12-50AB	FAH12-50T
5/8"	1/2" (12.7 mm)	1/4" (6.35 mm)	AL16-12A	AL16-12AS	AL16-12B	AL16-12G	AL16-12AB	AL16-12T	FAH16-12A	FAH16-12AS	FAH16-12B	FAH16-12G	FAH16-12AB	FAH16-12T
	3/4" (19.0 mm)	0 to 1/2" (12.7 mm)	AL16-25A	AL16-25AS	AL16-25B	AL16-25G	AL16-25AB	AL16-25T	FAH16-25A	FAH16-25AS	FAH16-25B	FAH16-25G	FAH16-25AB	FAH16-25T
	1" (25.4 mm)	0 to 1/2" (12.7 mm)	AL16-30A	AL16-30AS	AL16-30B	AL16-30G	AL16-30AB	AL16-30T	FAH16-30A	FAH16-30AS	FAH16-30B	FAH16-30G	FAH16-30AB	FAH16-30T
	1 3/4" (45.0 mm)	0 to 1/2" (12.7 mm)	AL16-50A	AL16-50AS	AL16-50B	AL16-50G	AL16-50AB	AL16-50T	FAH16-50A	FAH16-50AS	FAH16-50B	FAH16-50G	FAH16-50AB	FAH16-50T
7/8"	1/2" (12.7 mm)	1/4" (6.35 mm)	AL19-12A	AL19-12AS	AL19-12B	AL19-12G	AL19-12AB	AL19-12T	FAH19-12A	FAH19-12AS	FAH19-12B	FAH19-12G	FAH19-12AB	FAH19-12T
	3/4" (19.0 mm)	0 to 1/2" (12.7 mm)	AL19-25A	AL19-25AS	AL19-25B	AL19-25G	AL19-25AB	AL19-25T	FAH19-25A	FAH19-25AS	FAH19-25B	FAH19-25G	FAH19-25AB	FAH19-25T
	1" (25.4 mm)	0 to 1/2" (12.7 mm)	AL19-30A	AL19-30AS	AL19-30B	AL19-30G	AL19-30AB	AL19-30T	FAH19-30A	FAH19-30AS	FAH19-30B	FAH19-30G	FAH19-30AB	FAH19-30T
	1 3/4" (45.0 mm)	0 to 1/2" (12.7 mm)	AL19-50A	AL19-50AS	AL19-50B	AL19-50G	AL19-50AB	AL19-50T	FAH19-50A	FAH19-50AS	FAH19-50B	FAH19-50G	FAH19-50AB	FAH19-50T
1"	1/2" (12.7 mm)	1/4" (6.35 mm)	AL22-12A	AL22-12AS	AL22-12B	AL22-12G	AL22-12AB	AL22-12T	FAH22-12A	FAH22-12AS	FAH22-12B	FAH22-12G	FAH22-12AB	FAH22-12T
	3/4" (19.0 mm)	0 to 1/2" (12.7 mm)	AL22-25A	AL22-25AS	AL22-25B	AL22-25G	AL22-25AB	AL22-25T	FAH22-25A	FAH22-25AS	FAH22-25B	FAH22-25G	FAH22-25AB	FAH22-25T
	1" (25.4 mm)	0 to 1/2" (12.7 mm)	AL22-30A	AL22-30AS	AL22-30B	AL22-30G	AL22-30AB	AL22-30T	FAH22-30A	FAH22-30AS	FAH22-30B	FAH22-30G	FAH22-30AB	FAH22-30T
	1 3/4" (45.0 mm)	0 to 1/2" (12.7 mm)	AL22-50A	AL22-50AS	AL22-50B	AL22-50G	AL22-50AB	AL22-50T	FAH22-50A	FAH22-50AS	FAH22-50B	FAH22-50G	FAH22-50AB	FAH22-50T
1 1/4"	1/2" (12.7 mm)	1/4" (6.35 mm)	AL25-12A	AL25-12AS	AL25-12B	AL25-12G	AL25-12AB	AL25-12T	FAH25-12A	FAH25-12AS	FAH25-12B	FAH25-12G	FAH25-12AB	FAH25-12T
	3/4" (19.0 mm)	0 to 1/2" (12.7 mm)	AL25-25A	AL25-25AS	AL25-25B	AL25-25G	AL25-25AB	AL25-25T	FAH25-25A	FAH25-25AS	FAH25-25B	FAH25-25G	FAH25-25AB	FAH25-25T
	1" (25.4 mm)	0 to 1/2" (12.7 mm)	AL25-30A	AL25-30AS	AL25-30B	AL25-30G	AL25-30AB	AL25-30T	FAH25-30A	FAH25-30AS	FAH25-30B	FAH25-30G	FAH25-30AB	FAH25-30T
	1 3/4" (45.0 mm)	0 to 1/2" (12.7 mm)	AL25-50A	AL25-50AS	AL25-50B	AL25-50G	AL25-50AB	AL25-50T	FAH25-50A	FAH25-50AS	FAH25-50B	FAH25-50G	FAH25-50AB	FAH25-50T

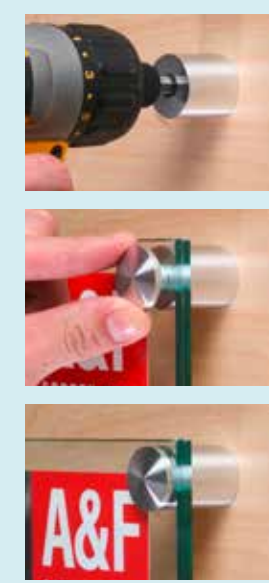
For drywall use: screw 2208 and anchor ANC5, ANC5Z. For concrete use: screw 2208 and anchor ANC1

For drywall use: screw 2216 and anchor ANC6, ANC6Z. For concrete use: screw 2216 and anchor ANC2



SCREW AND ANCHOR IN 3 EASY STEPS...

- 1 Screw
- 2 Mount Head
- 3 Done Deal!



STILL ON THE FENCE?

Order our new sample box today

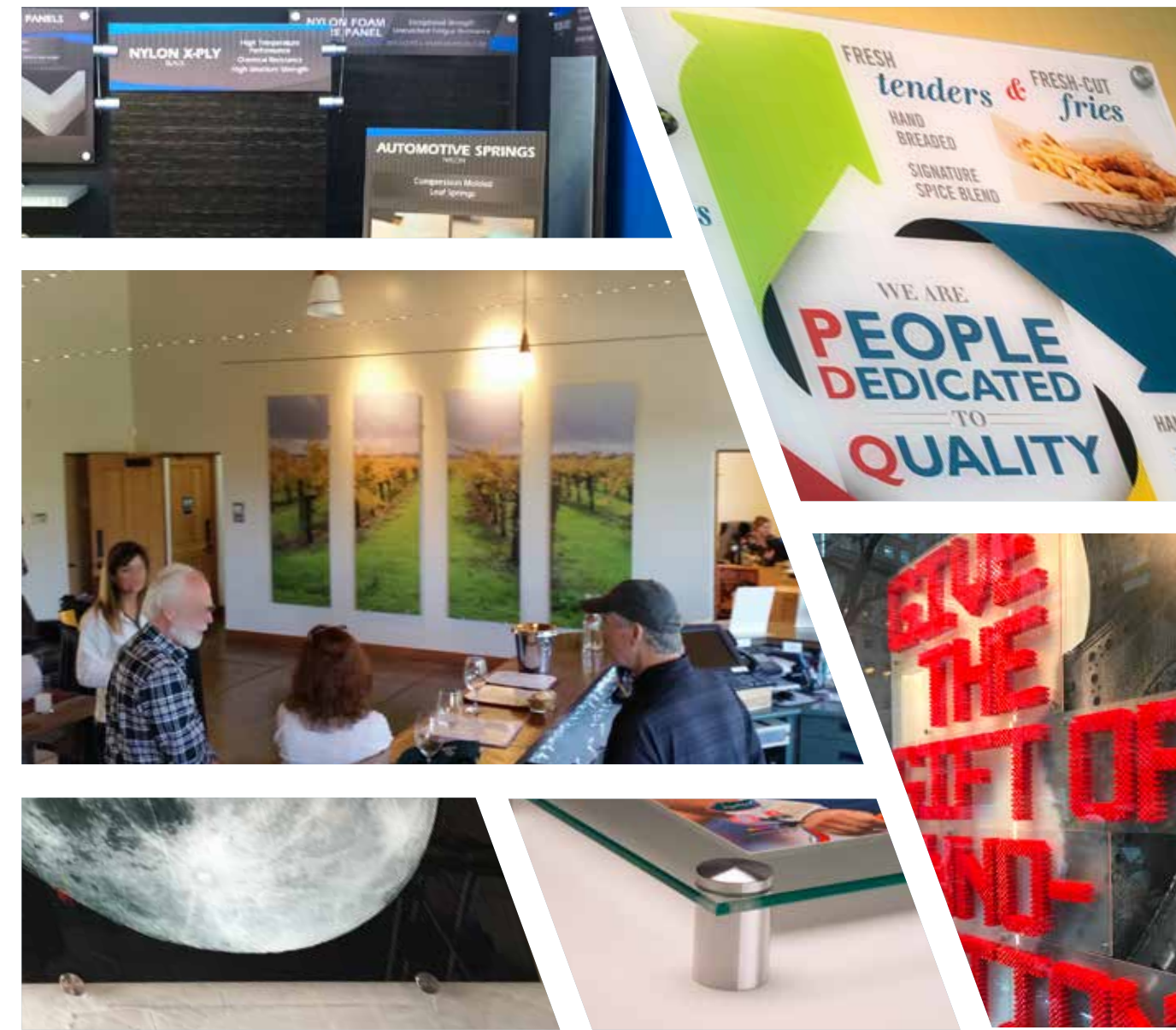


1-813-938-6025
mbs-standoffs.com

RESELLER/DISTRIBUTOR PROGRAM

MBS is always looking for new distributors.
Contact us to get more information on becoming a distributor.

1-813-938-6025 • sales@mbs-standoffs.com



PACKING



All packages are individually inspected multiple times by our certified shipping representatives to ensure your order is nothing less than perfect.



Affordable Colored Aluminum "All In One"

12 Finishes – For Indoor and Outdoor Use

- Wall mounted standoff
- Designed from high quality solid aluminum for indoor & outdoor
- 12 different finishes
- 6 different diameters
- 5 different heights
- Without washers (sold separately)
- Mounting hardware not included



12 DIFFERENT FINISHES

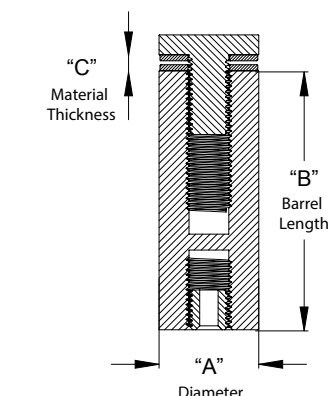
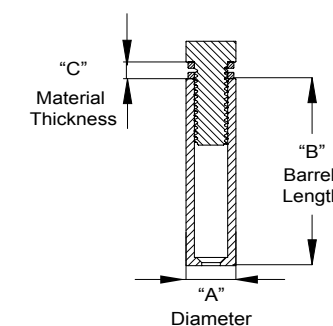


Affordable Colored Aluminum "All In One"

12 Finishes – For Indoor and Outdoor Use



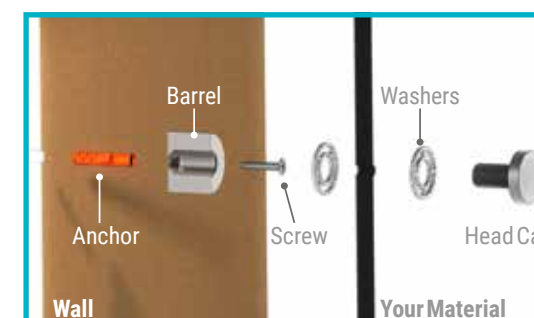
- Sample box
- SKU: ASSAMPBOX



Diameter 'A'	Standoff 'B'	Material Thickness 'C'	High Quality Aluminum "All In One"											
			Black (BK)	Blue (BL)	Champagne (BR)	Copper (CP)	Gold (GD)	Green (GN)	Purple (PL)	Cherry Red (RD)	Rosy Pink (RP)	Steel Gray (SG)	Silver (SL)	White Coated (WH)
1/2"	1/2" (12.7 mm)	1/4" (6.35 mm)	AS12-12BK	AS12-12BL	AS12-12BR	AS12-12CP	AS12-12GD	AS12-12GN	AS12-12PL	AS12-12RD	AS12-12RP	AS12-12SG	AS12-12SL	AS12-12WH
	3/4" (19.0 mm)	0 to 1/2" (12.7 mm)	AS12-25BK	AS12-25BL	AS12-25BR	AS12-25CP	AS12-25GD	AS12-25GN	AS12-25PL	AS12-25RD	AS12-25RP	AS12-25SG	AS12-25SL	AS12-25WH
	1" (25.4 mm)	0 to 1/2" (12.7 mm)	AS12-30BK	AS12-30BL	AS12-30BR	AS12-30CP	AS12-30GD	AS12-30GN	AS12-30PL	AS12-30RD	AS12-30RP	AS12-30SG	AS12-30SL	AS12-30WH
	1 1/2" (31.75 mm)	0 to 1/2" (12.7 mm)	AS12-38BK	AS12-38BL	AS12-38BR	AS12-38CP	AS12-38GD	AS12-38GN	AS12-38PL	AS12-38RD	AS12-38RP	AS12-38SG	AS12-38SL	AS12-38WH
5/8"	1/2" (12.7 mm)	1/4" (6.35 mm)	AS16-12BK	AS16-12BL	AS16-12BR	AS16-12CP	AS16-12GD	AS16-12GN	AS16-12PL	AS16-12RD	AS16-12RP	AS16-12SG	AS16-12SL	AS16-12WH
	3/4" (19.0 mm)	0 to 1/2" (12.7 mm)	AS16-25BK	AS16-25BL	AS16-25BR	AS16-25CP	AS16-25GD	AS16-25GN	AS16-25PL	AS16-25RD	AS16-25RP	AS16-25SG	AS16-25SL	AS16-25WH
	1" (25.4 mm)	0 to 1/2" (12.7 mm)	AS16-30BK	AS16-30BL	AS16-30BR	AS16-30CP	AS16-30GD	AS16-30GN	AS16-30PL	AS16-30RD	AS16-30RP	AS16-30SG	AS16-30SL	AS16-30WH
	1 1/2" (31.75 mm)	0 to 1/2" (12.7 mm)	AS16-38BK	AS16-38BL	AS16-38BR	AS16-38CP	AS16-38GD	AS16-38GN	AS16-38PL	AS16-38RD	AS16-38RP	AS16-38SG	AS16-38SL	AS16-38WH
3/4"	1/2" (12.7 mm)	1/4" (6.35 mm)	AS19-12BK	AS19-12BL	AS19-12BR	AS19-12CP	AS19-12GD	AS19-12GN	AS19-12PL	AS19-12RD	AS19-12RP	AS19-12SG	AS19-12SL	AS19-12WH
	3/4" (19.0 mm)	0 to 1/2" (12.7 mm)	AS19-25BK	AS19-25BL	AS19-25BR	AS19-25CP	AS19-25GD	AS19-25GN	AS19-25PL	AS19-25RD	AS19-25RP	AS19-25SG	AS19-25SL	AS19-25WH
	1" (25.4 mm)	0 to 1/2" (12.7 mm)	AS19-30BK	AS19-30BL	AS19-30BR	AS19-30CP	AS19-30GD	AS19-30GN	AS19-30PL	AS19-30RD	AS19-30RP	AS19-30SG	AS19-30SL	AS19-30WH
	1 1/2" (31.75 mm)	0 to 1/2" (12.7 mm)	AS19-38BK	AS19-38BL	AS19-38BR	AS19-38CP	AS19-38GD	AS19-38GN	AS19-38PL	AS19-38RD	AS19-38RP	AS19-38SG	AS19-38SL	AS19-38WH
1"	1/2" (12.7 mm)	1/4" (6.35 mm)	AS25-12BK	AS25-12BL	AS25-12BR	AS25-12CP	AS25-12GD	AS25-12GN	AS25-12PL	AS25-12RD	AS25-12RP	AS25-12SG	AS25-12SL	AS25-12WH
	3/4" (19.0 mm)	0 to 1/2" (12.7 mm)	AS25-25BK	AS25-25BL	AS25-25BR	AS25-25CP	AS25-25GD	AS25-25GN	AS25-25PL	AS25-25RD	AS25-25RP	AS25-25SG	AS25-25SL	AS25-25WH
	1" (25.4 mm)	0 to 1/2" (12.7 mm)	AS25-30BK	AS25-30BL	AS25-30BR	AS25-30CP	AS25-30GD	AS25-30GN	AS25-30PL	AS25-30RD	AS25-30RP	AS25-30SG	AS25-30SL	AS25-30WH
	1 1/2" (31.75 mm)	0 to 1/2" (12.7 mm)	AS25-38BK	AS25-38BL	AS25-38BR	AS25-38CP	AS25-38GD	AS25-38GN	AS25-38PL	AS25-38RD	AS25-38RP	AS25-38SG	AS25-38SL	AS25-38WH
1 1/4"	1/2" (12.7 mm)	1/4" (6.35 mm)	AS30-12BK	AS30-12BL	AS30-12BR	AS30-12CP	AS30-12GD	AS30-12GN	AS30-12PL	AS30-12RD	AS30-12RP	AS30-12SG	AS30-12SL	AS30-12WH
	3/4" (19 mm)	0 to 1/2" (12.7 mm)	AS30-25BK	AS30-25BL	AS30-25BR	AS30-25CP	AS30-25GD	AS30-25GN	AS30-25PL	AS30-25RD	AS30-25RP	AS30-25SG	AS30-25SL	AS30-25WH
	1" (25.4 mm)	0 to 1/2" (12.7 mm)	AS30-30BK	AS30-30BL	AS30-30BR	AS30-30CP	AS30-30GD	AS30-30GN	AS30-30PL	AS30-30RD	AS30-30RP	AS30-30SG	AS30-30SL	AS30-30WH
	1 1/2" (31.75 mm)	0 to 1/2" (12.7 mm)	AS30-38BK	AS30-38BL	AS30-38BR	AS30-38CP	AS30-38GD	AS30-38GN	AS30-38PL	AS30-38RD	AS30-38RP	AS30-38SG	AS30-38SL	AS30-38WH
2"	1/2" (12.7 mm)	1/4" (6.35 mm)	AS50-12BK	AS50-12BL	AS50-12BR	AS50-12CP	AS50-12GD	AS50-12GN	AS50-12PL	AS50-12RD	AS50-12RP	AS50-12SG	AS50-12SL	AS50-12WH
	3/4" (19.0 mm)	0 to 1/2" (12.7 mm)	AS50-25BK	AS50-25BL	AS50-25BR	AS50-25CP	AS50-25GD	AS50-25GN	AS50-25PL	AS50-25RD	AS50-25RP	AS50-25SG	AS50-25SL	AS50-25WH
	1" (25.4 mm)	0 to 1/2" (12.7 mm)	AS50-30BK	AS50-30BL	AS50-30BR	AS50-30CP	AS50-30GD	AS50-30GN	AS50-30PL	AS50-30RD	AS50-30RP	AS50-30SG	AS50-30SL	AS50-30WH
	1 1/2" (31.75 mm)	0 to 1/2" (12.7 mm)	AS50-38BK	AS50-38BL	AS50-38BR	AS50-38CP	AS50-38GD	AS50-38GN	AS50-38PL	AS50-38RD	AS50-38RP	AS50-38SG	AS50-38SL	AS50-38WH

For drywall use: screw 2208 and anchor ANC5, ANC5Z. For concrete use: screw 2208 and anchor ANC1

For drywall use: screw 2216 and anchor ANC6, ANC6Z. For concrete use: screw 2216 and anchor ANC2



1. Insert anchor in wall
2. Add the screw through the barrel and into the anchor
3. Place washer on top of barrel
4. Align material on top of washer and add top washer
5. Take cap/stud, go through washers, material and screw into barrel



Inexpensive Stainless Steel “All In One”

2 Finishes – 3 Different Stainless Steel Grades

- Wall mounted standoff
- Designed from high quality solid stainless steel for indoor & outdoor use
- Satin brushed and polished
- 6 different diameters
- 5 different heights: 1/2", 3/4", 1", 1 3/4" and 2 1/2" for each diameter
- Protective washers included
- Mounting hardware not included



201 STAINLESS STEEL GRADE

Inside Use
Whitout Locking Screw



304 STAINLESS STEEL GRADE

Inside & Outside Use
With Locking Screw



316 MARINE STAINLESS STEEL GRADE

Inside & Outside Use
With Locking Screw



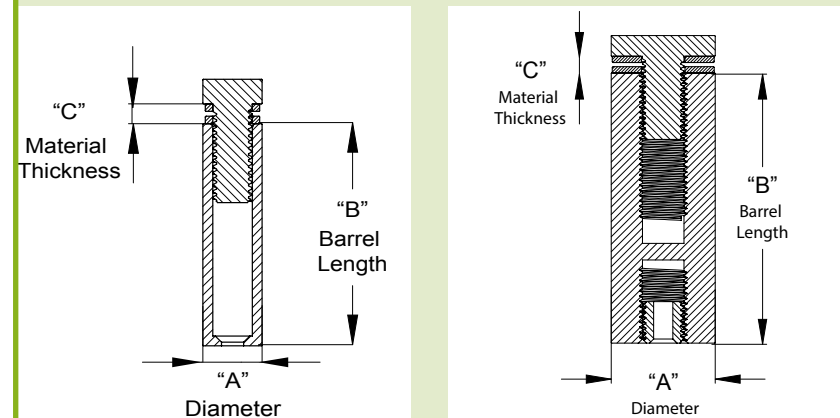
THICK MATERIAL

Extended head allows for 3/4" to 1"



Available in:
3/4", 7/8", 1" & 1 1/4" diameter

Standoff technical diagram



Inexpensive Stainless Steel “All In One”

2 Finishes – 3 Different Grades of Stainless Steel: 201 for indoor use, 304 & 316 Marine Grade for both indoor and outdoor use

Diameter "A"	Standoff "B"	Material Thickness "C"	201 Grade Whitout Locking Screw		304 Grade With Locking Screw		316 Marine Grade With Locking Screw		
			Brushed	Polished	Brushed	Polished	Brushed	Polished	
1/2"	1/2" (12.7 mm)	1/4" (6.35 mm)	SBLS12-12	SBLP12-12	LBSL12-12	LBLP12-12	316LBSL12-12	316LBLP12-12"	
	3/4" (19.0 mm)	3/16" (4 mm) to 1/2" (12.7 mm)	SBLS12-25	SBLP12-25	LBSL12-25	LBLP12-25	316LBSL12-25	316LBLP12-25"	
	7/16" Hole Diameter (to be drilled in material)	1" (25.4 mm)	3/16" (4 mm) to 1/2" (12.7 mm)	SBLS12-30	SBLP12-30	LBSL12-30	LBLP12-30	316LBSL12-30	316LBLP12-30"
	1 3/4" (45.0 mm)	3/16" (4 mm) to 1/2" (12.7 mm)	SBLS12-50	SBLP12-50	LBSL12-50	LBLP12-50	316LBSL12-50	316LBLP12-50"	
5/8"	1/2" (12.7 mm)	1/4" (6.35 mm)	SBLS16-12	SBLP16-12	LBSL16-12	LBLP16-12	316LBSL16-12	316LBLP16-12"	
	3/4" (19.0 mm)	3/16" (4 mm) to 1/2" (12.7 mm)	SBLS16-25	SBLP16-25	LBSL16-25	LBLP16-25	316LBSL16-25	316LBLP16-25"	
	7/16" Hole Diameter (to be drilled in material)	1" (25.4 mm)	3/16" (4 mm) to 1/2" (12.7 mm)	SBLS16-30	SBLP16-30	LBSL16-30	LBLP16-30	316LBSL16-30	316LBLP16-30"
	1 3/4" (45.0 mm)	3/16" (4 mm) to 1/2" (12.7 mm)	SBLS16-50	SBLP16-50	LBSL16-50	LBLP16-50	316LBSL16-50	316LBLP16-50"	
3/4"	1/2" (12.7 mm)	1/4" (6.35 mm)	SBLS19-12	SBLP19-12	LBSL19-12	LBLP19-12	316LBSL19-12	316LBLP19-12"	
	3/4" (19.0 mm)	3/16" (4 mm) to 1/2" (12.7 mm)	SBLS19-25	SBLP19-25	LBSL19-25	LBLP19-25	316LBSL19-25	316LBLP19-25"	
	7/16" Hole Diameter (to be drilled in material)	1" (25.4 mm)	3/16" (4 mm) to 1/2" (12.7 mm)	SBLS19-30	SBLP19-30	LBSL19-30	LBLP19-30	316LBSL19-30	316LBLP19-30"
	1 3/4" (45.0 mm)	3/16" (4 mm) to 1/2" (12.7 mm)	SBLS19-50	SBLP19-50	LBSL19-50	LBLP19-50	316LBSL19-50	316LBLP19-50"	
7/8"	1/2" (12.7 mm)	1/4" (6.35 mm)	SBLS22-12	SBLP22-12	LBSL22-12	LBLP22-12	316LBSL22-12	316LBLP22-12"	
	3/4" (19.0 mm)	3/16" (4 mm) to 1/2" (12.7 mm)	SBLS22-25	SBLP22-25	LBSL22-25	LBLP22-25	316LBSL22-25	316LBLP22-25"	
	7/16" Hole Diameter (to be drilled in material)	1" (25.4 mm)	3/16" (4 mm) to 1/2" (12.7 mm)	SBLS22-30	SBLP22-30	LBSL22-30	LBLP22-30	316LBSL22-30	316LBLP22-30"
	1 3/4" (45.0 mm)	3/16" (4 mm) to 1/2" (12.7 mm)	SBLS22-50	SBLP22-50	LBSL22-50	LBLP22-50	316LBSL22-50	316LBLP22-50"	
1"	1/2" (12.7 mm)	1/4" (6.35 mm)	SBLS25-12	SBLP25-12	LBSL25-12	LBLP25-12	316LBSL25-12	316LBLP25-12"	
	3/4" (19.0 mm)	3/16" (4 mm) to 1/2" (12.7 mm)	SBLS25-25	SBLP25-25	LBSL25-25	LBLP25-25	316LBSL25-25	316LBLP25-25"	
	7/16" Hole Diameter (to be drilled in material)	1" (25.4 mm)	3/16" (4 mm) to 1/2" (12.7 mm)	SBLS25-30	SBLP25-30	LBSL25-30	LBLP25-30	316LBSL25-30	316LBLP25-30"
	1 3/4" (45.0 mm)	3/16" (4 mm) to 1/2" (12.7 mm)	SBLS25-50	SBLP25-50	LBSL25-50	LBLP25-50	316LBSL25-50	316LBLP25-50"	
1 1/4"	1/2" (12.7 mm)	1/4" (6.35 mm)	SBLS30-12	SBLP30-12	LBSL30-12	LBLP30-12	316LBSL30-12	316LBLP30-12"	
	3/4" (19.0 mm)	3/16" (4 mm) to 1/2" (12.7 mm)	SBLS30-25	SBLP30-25	LBSL30-25	LBLP30-25	316LBSL30-25	316LBLP30-25"	
	7/16" Hole Diameter (to be drilled in material)	1" (25.4 mm)	3/16" (4 mm) to 1/2" (12.7 mm)	SBLS30-30	SBLP30-30	LBSL30-30	LBLP30-30	316LBSL30-30	316LBLP30-30"
	1 3/4" (45.0 mm)	3/16" (4 mm) to 1/2" (12.7 mm)	SBLS30-50	SBLP30-50	LBSL30-50	LBLP30-50	316LBSL30-50	316LBLP30-50"	

For drywall use: screw 2208 and anchor ANC5, ANC5Z. For concrete use: screw 2208 and anchor ANC1

3/4"	1/2" (12.7 mm)	1/4" (6.35 mm)	SBLS19-12	SBLP19-12	LBSL19-12	LBLP19-12	316LBSL19-12	316LBLP19-12"	
	3/4" (19.0 mm)	3/16" (4 mm) to 1/2" (12.7 mm)	SBLS19-25	SBLP19-25	LBSL19-25	LBLP19-25	316LBSL19-25	316LBLP19-25"	
	7/16" Hole Diameter (to be drilled in material)	1" (25.4 mm)	3/16" (4 mm) to 1/2" (12.7 mm)	SBLS19-30	SBLP19-30	LBSL19-30	LBLP19-30	316LBSL19-30	316LBLP19-30"
	1 3/4" (45.0 mm)	3/16" (4 mm) to 1/2" (12.7 mm)	SBLS19-50	SBLP19-50	LBSL19-50	LBLP19-50	316LBSL19-50	316LBLP19-50"	
7/8"	1/2" (12.7 mm)	1/4" (6.35 mm)	SBLS22-12	SBLP22-12	LBSL22-12	LBLP22-12	316LBSL22-12	316LBLP22-12"	
	3/4" (19.0 mm)	3/16" (4 mm) to 1/2" (12.7 mm)	SBLS22-25	SBLP22-25	LBSL22-25	LBLP22-25	316LBSL22-25	316LBLP22-25"	
	7/16" Hole Diameter (to be drilled in material)	1" (25.4 mm)	3/16" (4 mm) to 1/2" (12.7 mm)	SBLS22-30	SBLP22-30	LBSL22-30	LBLP22-30	316LBSL22-30	316LBLP22-30"
	1 3/4" (45.0 mm)	3/16" (4 mm) to 1/2" (12.7 mm)	SBLS22-50	SBLP22-50	LBSL22-50	LBLP22-50	316LBSL22-50	316LBLP22-50"	

1"	1/2" (12.7 mm)	1/4" (6.35 mm)	SBLS25-12	SBLP25-12	LBSL25-12	LBLP25-12	316LBSL25-12	316LBLP25-12"	
	3/4" (19.0 mm)	3/16" (4 mm) to 1/2" (12.7 mm)	SBLS25-25	SBLP25-25	LBSL25-25	LBLP25-25	316LBSL25-25	316LBLP25-25"	
	7/16" Hole Diameter (to be drilled in material)	1" (25.4 mm)	3/16" (4 mm) to 1/2" (12.7 mm)	SBLS25-30	SBLP25-30	LBSL25-30	LBLP25-30	316LBSL25-30	316LBLP25-30"
	1 3/4" (45.0 mm)	3/16" (4 mm) to 1/2" (12.7 mm)	SBLS25-50	SBLP25-50	LBSL25-50	LBLP25-50	316LBSL25-50	316LBLP25-50"	

1 1/4"	1/2" (12.7 mm)	1/4" (6.35 mm)	SBLS30-12	SBLP30-12	LBSL30-12	LBLP30-12	316LBSL30-12	316LBLP30-12"	
	3/4" (19.0 mm)	3/16" (4 mm) to 1/2" (12.7 mm)	SBLS30-25	SBLP30-25	LBSL30-25	LBLP30-25	316LBSL30-25	316LBLP30-25"	
	7/16" Hole Diameter (to be drilled in material)	1" (25.4 mm)	3/16" (4 mm) to 1/2" (12.7 mm)	SBLS30-30	SBLP30-30	LBSL30-30	LBLP30-30	316LBSL30-30	316LBLP30-30"
	1 3/4" (45.0 mm)	3/16" (4 mm) to 1/2" (12.7 mm)	SBLS30-50	SBLP30-50	LBSL30-50	LBLP30-50	316LBSL30-50	316LBLP30-50"	

1 1/4"	1/2" (12.7 mm)	1/4" (6.35 mm)	SBLS30-12	SBLP30-12	LBSL30-12	LBLP30-12	316LBSL30-12	316LBLP30-12"	
	3/4" (19.0 mm)	3/16" (4 mm) to 1/2" (12.7 mm)	SBLS30-25	SBLP30-25	LBSL30-25	LBLP30-25	316LBSL30-25	316LBLP30-25"	
	7/16" Hole Diameter (to be drilled in material)	1" (25.4 mm)	3/16" (4 mm) to 1/2" (12.7 mm)	SBLS30-30	SBLP30-30	LBSL30-30	LBLP30-30	316LBSL30-30	316LBLP30-30"
	1 3/4" (45.0 mm)	3/16" (4 mm) to 1/2" (12.7 mm)	SBLS30-50	SBLP30-50	LBSL30-50	LBLP30-50	316LBSL30-50	316LBLP30-50"	

For drywall use: screw 2216 and anchor ANC6, ANC6Z. For concrete use: screw 2216 and anchor ANC2

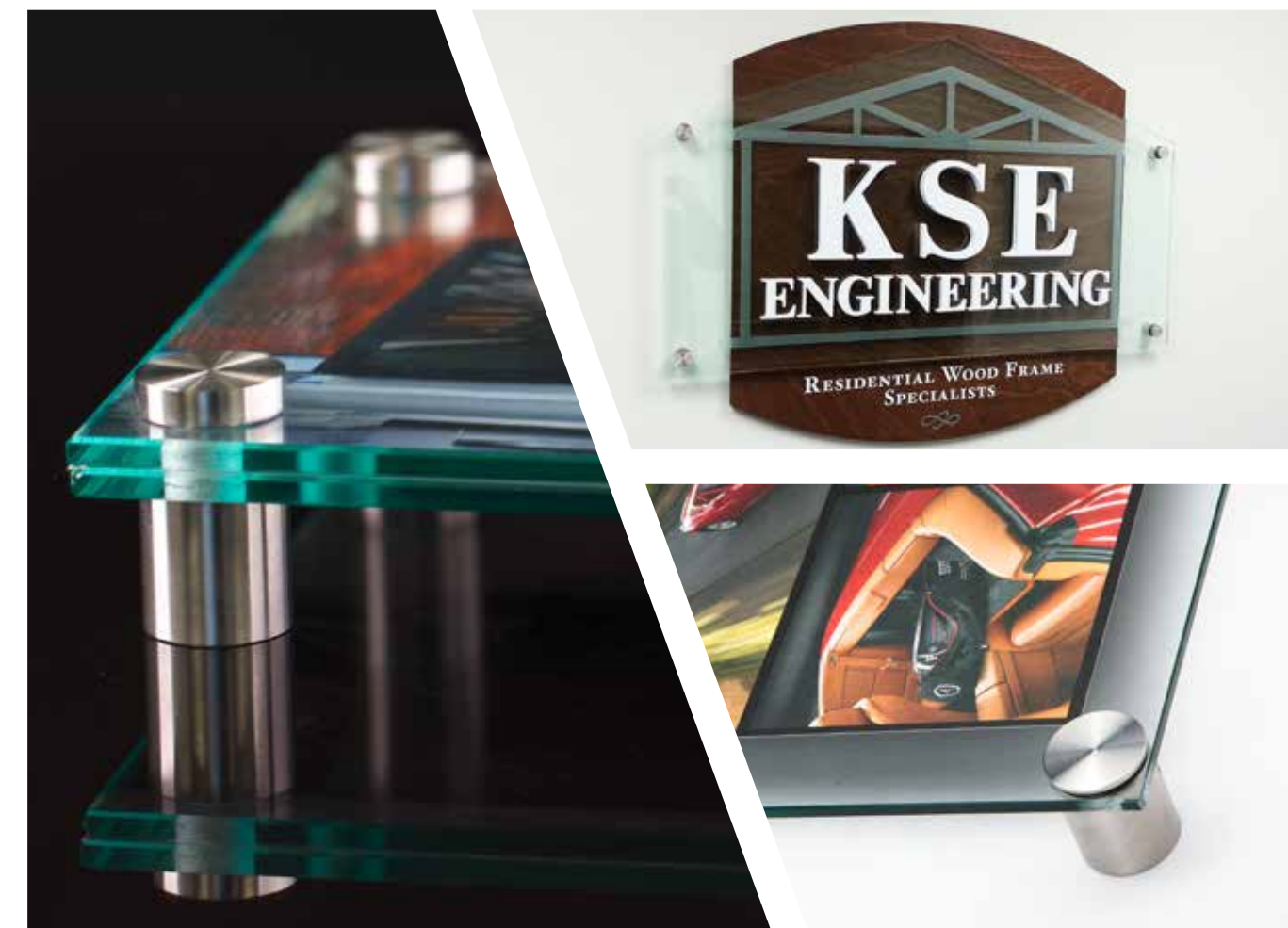
*Available upon request minimum order quantity 100



Tamper Proof Stainless Steel “All In One”

2 Finishes – For Indoor and Outdoor Use

- Wall mounted standoffs
- Designed from high quality solid stainless steel for indoor and outdoor use
- Satin brushed and polished
- Set screw to lock head in place
- 6 different diameters
- 5 different heights: 1/2", 3/4", 1", 1 3/4" and 2 1/2" for each diameter
- Protective washers included
- Requires 2 mm (M4) Allen key
- Mounting hardware not included



Special Standoffs

3 Finishes – For Indoor and Outdoor Use

- Wall mounted standoffs
- Designed from high quality solid aluminum
- 3 different finishes
- 2 different heights
- Protective washer included
- Set screw to lock in place
- Requires 2mm (m4) Allen key
- Mounting hardware not included



Diameter	Standoff	Material Thickness	Aluminum Finish		
			Satin Silver	Polished Chrome	Polished Gold
5/8" 3/8" Hole Diameter (to be drilled in material)	7/8"	1/2" (12.7 mm)	1623A	1623AS	1623GS
7/8" 3/8" Hole Diameter (to be drilled in material)	1"	9/16" (14.28 mm)	2327A	2327AS	2327GS



Tamper Proof Clear Acrylic Flat Head Standoffs

2 Finishes – For Indoor and Outdoor Use

- Wall mounted standoffs
- Designed from high quality solid Acrylic for indoor and outdoor use
- 2 different finishes
- 4 different diameters
- 5 different heights
- Protective washers included
- Tamper Proof by Reverse Thread
- Mounting hardware not included



2 DIFFERENT FINISHES



Diameter	Standoff	Material Thickness Accepted	Acrylic	
			Clear	White
1/2" 3/8" Hole Diameter (to be drilled in material)	1/2"	0" to 1/4" (6.35 mm)	ACS12-12C	ACS12-12W
	3/4"		ACS12-25C	ACS12-25W
	1"	0" to 1/2" (12.7 mm)	ACS12-30C	ACS12-30W
	1 3/4"		ACS12-50C	ACS12-50W
	2 1/2"		ACS12-70C	ACS12-70W
5/8" 7/16" Hole Diameter (to be drilled in material)	1/2"	0" to 1/4" (6.35 mm)	ACS16-12C	ACS16-12W
	3/4"		ACS16-25C	ACS16-25W
	1"	0" to 1/2" (12.7 mm)	ACS16-30C	ACS16-30W
	1 3/4"		ACS16-50C	ACS16-50W
	2 1/2"		ACS16-70C	ACS16-70W
3/4" 7/16" Hole Diameter (to be drilled in material)	1/2"	0" to 1/4" (6.35 mm)	ACS19-12C	ACS19-12W
	3/4"		ACS19-25C	ACS19-25W
	1"	0" to 1/2" (12.7 mm)	ACS19-30C	ACS19-30W
	1 3/4"		ACS19-50C	ACS19-50W
	2 1/2"		ACS19-70C	ACS19-70W
1" 7/16" Hole Diameter (to be drilled in material)	1/2"	0" to 1/4" (6.35 mm)	ACS25-12C	ACS25-12W
	3/4"		ACS25-25C	ACS25-25W
	1"	0" to 1/2" (12.7 mm)	ACS25-30C	ACS25-30W
	1 3/4"		ACS25-50C	ACS25-50W
	2 1/2"		ACS25-70C	ACS25-70W



Flat Head (1/16" cap height) Standoffs

- Wall mounted standoffs
- Designed from solid stainless steel or aluminum
- 3 different diameters
- 3 different heights for each diameter
- Mounting hardware not included
- Requires 2 mm (M4) Allen Key



3 DIFFERENT FINISHES



Diameter	Standoff	Material Thickness Accepted	Aluminum		Stainless Steel	
			Clear Anodized	Black Anodized	Brushed Indoor Use	Brushed Indoor / Outdoor Use
1/2"	5/16" (7.93 mm)	1/16" (1.58 mm)	GS050-050A	GS050-050B	GS050-050S	GS050-050S304
	1" (25.4 mm)	1/2" (12.7 mm)	GS050-100A	GS050-100B	GS050-100S	GS050-100S304
	2" (50.8 mm)	1/2" (12.7 mm)	GS050-200A	GS050-200B	GS050-200S	GS050-200S304
3/4"	5/16" (7.93 mm)	1/16" (1.58 mm)	GS075-050A	GS075-050B	GS075-050S	GS075-050S304
	1" (25.4 mm)	1/2" (12.7 mm)	GS075-100A	GS075-100B	GS075-100S	GS075-100S304
	2" (50.8 mm)	1/2" (12.7 mm)	GS075-200A	GS075-200B	GS075-200S	GS075-200S304
1"	5/16" (7.93 mm)	1/16" (1.58 mm)	GS100-050A	GS100-050B	GS100-050S	GS100-050S304
	1" (25.4 mm)	1/2" (12.7 mm)	GS100-100A	GS100-100B	GS100-100S	GS100-100S304
	2" (50.8 mm)	1/2" (12.7 mm)	GS100-200A	GS100-200B	GS100-200S	GS100-200S304

1/2" diameter — for drywall use: screw 2208 and ANC5, ANC5Z. For concrete use: ANC1

3/4" and 1" diameter — for drywall use: screw 2216 and ANC6, ANC6Z. For concrete use: ANC2

Required Material Hole Size: 5/16"

Hollow Stainless Steel Standoffs

For Indoor Use Only

- Wall mounted standoffs
- Designed from hollow stainless steel for indoor use
- Satin brushed
- 6 different diameters
- 5 different heights 1/2", 3/4", 1", 1 3/4" and 2 1/2" for each diameter
- Protective washers included
- Mounting hardware not included



Diameter	Standoff	Material Thickness	Stainless Steel Satin Brushed
1/2" 3/8" Hole Diameter (to be drilled in material)	1/2" (12.7 mm)	1/4" (6.35 mm)	HBLS12-12
	3/4" (19.0 mm)	3/16" (4 mm) to 1/2" (12.7 mm)	HBLS12-25
	1" (25.4 mm)	3/16" (4 mm) to 1/2" (12.7 mm)	HBLS12-30
	1 3/4" (45.0 mm)	3/16" (4 mm) to 1/2" (12.7 mm)	HBLS12-50
	2 1/2" (65.0 mm)	3/16" (4 mm) to 1/2" (12.7 mm)	HBLS12-70
For drywall use: screw 2208 and anchor ANC5, ANC5Z. For concrete use: screw 2208 and anchor ANC1			
5/8" 7/16" Hole Diameter (to be drilled in material)	1/2" (12.7 mm)	1/4" (6.35 mm)	HBLS16-12
	3/4" (19.0 mm)	3/16" (4 mm) to 1/2" (12.7 mm)	HBLS16-25
	1" (25.4 mm)	3/16" (4 mm) to 1/2" (12.7 mm)	HBLS16-30
	1 3/4" (45.0 mm)	3/16" (4 mm) to 1/2" (12.7 mm)	HBLS16-50
	2 1/2" (65.0 mm)	3/16" (4 mm) to 1/2" (12.7 mm)	HBLS16-70
Both 1/2" diameter and 5/8" diameter use the 2208, ANC5, ANC5Z, & ANC1			
3/4" 7/16" Hole Diameter (to be drilled in material)	1/2" (12.7 mm)	1/4" (6.35 mm)	HBLS19-12
	3/4" (19.0 mm)	3/16" (4 mm) to 1/2" (12.7 mm)	HBLS19-25
	1" (25.4 mm)	3/16" (4 mm) to 1/2" (12.7 mm)	HBLS19-30
	1 3/4" (45.0 mm)	3/16" (4 mm) to 1/2" (12.7 mm)	HBLS19-50
	2 1/2" (65.0 mm)	3/16" (4 mm) to 1/2" (12.7 mm)	HBLS19-70
7/8" 7/16" Hole Diameter (to be drilled in material)	1/2" (12.7 mm)	1/4" (6.35 mm)	HBLS22-12
	3/4" (19.0 mm)	3/16" (4 mm) to 1/2" (12.7 mm)	HBLS22-25
	1" (25.4 mm)	3/16" (4 mm) to 1/2" (12.7 mm)	HBLS22-30
	1 3/4" (45.0 mm)	3/16" (4 mm) to 1/2" (12.7 mm)	HBLS22-50
	2 1/2" (65.0 mm)	3/16" (4 mm) to 1/2" (12.7 mm)	HBLS22-70
1" 7/16" Hole Diameter (to be drilled in material)	1/2" (12.7 mm)	1/4" (6.35 mm)	HBLS25-12
	3/4" (19.0 mm)	3/16" (4 mm) to 1/2" (12.7 mm)	HBLS25-25
	1" (25.4 mm)	3/16" (4 mm) to 1/2" (12.7 mm)	HBLS25-30
	1 3/4" (45.0 mm)	3/16" (4 mm) to 1/2" (12.7 mm)	HBLS25-50
	2 1/2" (65.0 mm)	3/16" (4 mm) to 1/2" (12.7 mm)	HBLS25-70
1 1/4" 7/16" Hole Diameter (to be drilled in material)	1/2" (12.7 mm)	1/4" (6.35 mm)	HBLS30-12
	3/4" (19.0 mm)	3/16" (4 mm) to 1/2" (12.7 mm)	HBLS30-25
	1" (25.4 mm)	3/16" (4 mm) to 1/2" (12.7 mm)	HBLS30-30
	1 3/4" (45.0 mm)	3/16" (4 mm) to 1/2" (12.7 mm)	HBLS30-50
	2 1/2" (65.0 mm)	3/16" (4 mm) to 1/2" (12.7 mm)	HBLS30-70

For drywall use: screw 2216 and anchor ANC6, ANC6Z. For concrete use: screw 2216 and anchor ANC2



Special Satin Stainless Steel Standoffs

9/16" Diameter – For Indoor and Outdoor Use

- Wall mounted standoffs
- Designed from high quality stainless steel
- With set screw to lock in place
- Satin brushed finish
- Grooved cap for security
- 2 different heights
- 3 different heads
- Protective washers included
- Requires 2 mm (M4) Allen Key

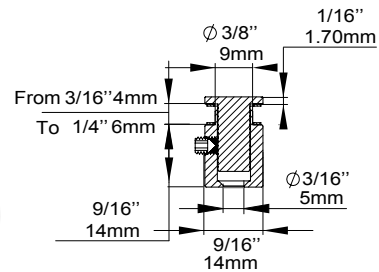
3 DIFFERENT HEADS



Flat Head Rounded Head Conical Head



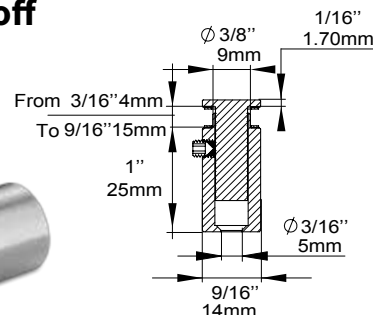
9/16" (14 mm) Diameter Standoff



Head	Indoor Use	Outdoor Use
Flat	PFI14.15	PFI14.15S
Rounded	PFI14.15R	None
Conical	PFI14.15C	None

Use for drywall: screw 2208 and anchor ANC5, ANC5Z
 Use for concrete: screw 2208 and anchor ANC1
 Thickness of material accepted: minimum 1/8" (3 mm), maximum 1/4" (6 mm)
 Hole diameter to be drilled in your material: 3/8"

9/16" (14 mm) Diameter Standoff



Head	Indoor Use	Outdoor Use
Flat	PFI14.25	PFI14.25S
Rounded	PFI14.25R	None
Conical	PFI14.25C	None

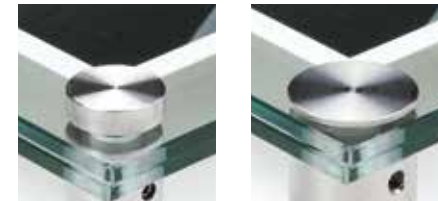
Use for drywall: screw 2208 and anchor ANC5, ANC5Z
 Use for concrete: screw 2208 and anchor ANC1
 Thickness of material accepted: minimum 1/8" (3 mm), maximum 9/16" (15 mm)
 Hole diameter to be drilled in your material: 3/8"

Special Satin Stainless Steel Standoffs

For Indoor and Outdoor Use

- Wall mounted standoffs
- Designed from high quality stainless steel
- Set screw to lock in place
- Requires 2 mm (M4) Allen Key

2 DIFFERENT HEADS



Standard Head Flat Head



3/4" (19 mm) Diameter Standoff

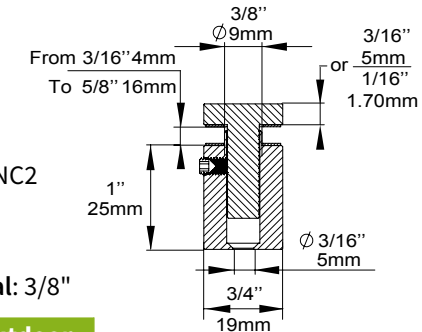
Use for drywall: screw 2216 and anchor ANC6, ANC6Z

Use for concrete: screw 2216 and anchor ANC2

Thickness of material accepted: minimum 1/8" (3 mm), maximum 5/8" (16 mm)

Hole diameter to be drilled in your material: 3/8"

Head	Cap Height	Indoor Use	Outdoor Use
Standard	3/16" Thick	PFI19.25ST	PFI19.25SST
Flat	1/16" Thick	PFI19.25FL	None



1" (25 mm) Diameter Standoff

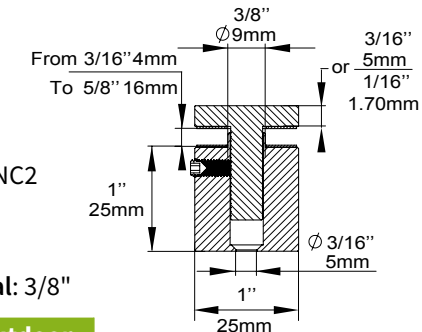
Use for drywall: screw 2216 and anchor ANC6, ANC6Z

Use for concrete: screw 2216 and anchor ANC2

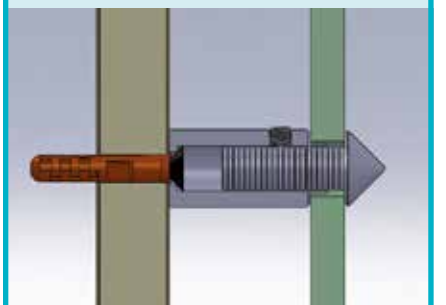
Thickness of material accepted: minimum 1/8" (3 mm), maximum 5/8" (16 mm)

Hole diameter to be drilled in your material: 3/8"

Head	Cap Height	Indoor Use	Outdoor Use
Standard	3/16" Thick	PFI25.25ST	PFI25.25SST
Flat	1/16" Thick	PFI25.25FL	None



INSTALLATION GUIDE



1. Insert anchor into wall
2. Add the screw through the barrel and into the anchor
3. Place washer on top of barrel
4. Align material on top of washer and add top washer
5. Take cap/stud, go through washers, material and screw into barrel

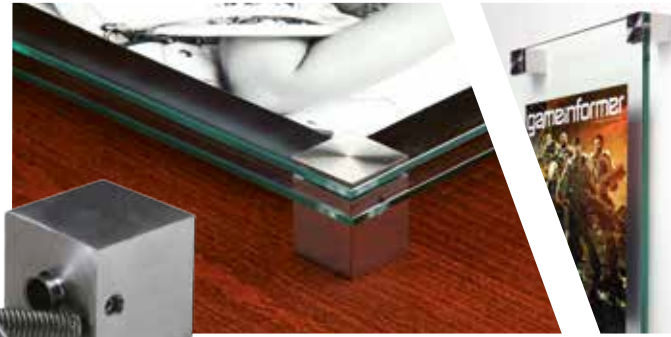
See Screw and Anchor page 9



Stainless Steel Square Standoffs

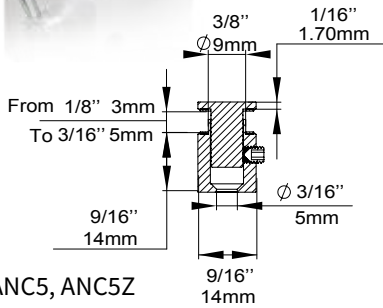
For Indoor and Outdoor Use

- Wall mounted standoffs
- Designed from high quality stainless steel
- Has a set screw to lock in place
- Satin brushed finish
- Has a grooved cap for security
- 3 different square sizes
- 3 different heights
- Protective washers included
- Requires 2 mm (M4) Allen Key



9/16" (14 mm) Square Standoff

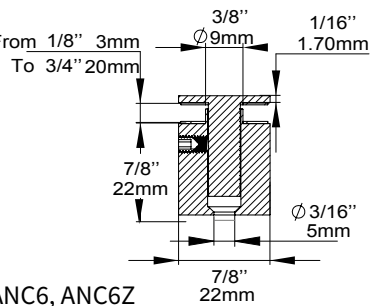
Sq Size	Standoff	Indoor Use
9/16" (14 mm)	9/16" (14 mm)	CPF114.14



Use for drywall: screw 2208 and anchor ANC5, ANC5Z
 Use for concrete: screw 2208 and anchor ANC1
 Hole diameter to be drilled in your material: 3/8"

7/8" (22 mm) Square Standoff

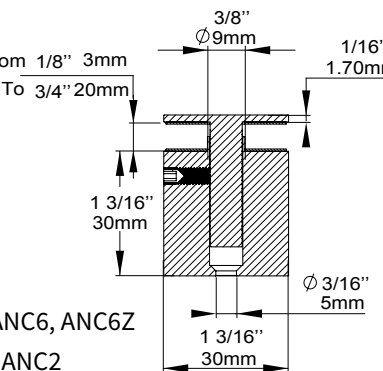
Standoff	Indoor Use	Outdoor Use
7/8" (22 mm)	CPF122.22	CPF122.22S



Use for drywall: screw 2216 and anchor ANC6, ANC6Z
 Use for concrete: screw 2216 and anchor ANC2
 Hole diameter to be drilled in your material: 3/8"

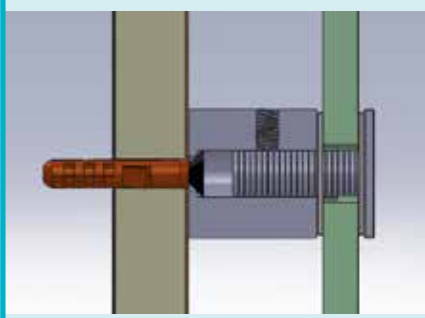
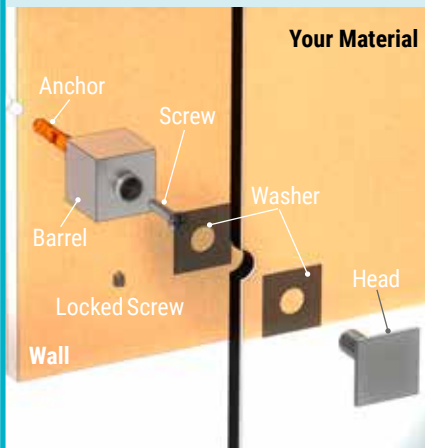
1 3/16" (30 mm) Square Standoff

Standoff	Indoor Use	Outdoor Use
1 3/16" (30 mm)	CPF130.30	CPF130.30S



Use for drywall: screw 2216 and anchor ANC6, ANC6Z
 Use for concrete: screw 2216 and anchor ANC2
 Thickness of material accepted: minimum 1/8" (3 mm), maximum 3/4" (20 mm)
 Hole diameter to be drilled in your material: 3/8"

INSTALLATION GUIDE



1. Insert anchor into wall
2. Add the screw through the barrel and into the anchor
3. Place washer on top of barrel
4. Align material on top of washer and add top washer
5. Take cap/stud, go through washers, material and screw into barrel

See Screw and Anchor page 9

LED Standoffs



- Available in 2 or 4 pieces per kit
- Transformer 120V included
- For the best lighting effect, drill a 7/8" hole in the acrylic

Diameter	Standoff	Material Thickness	Quantity Per Set	White	Blue	Red
				LS2W25-25A	LS2B25-25A	LS2R25-25A
1"	7/8" Hole Diameter (to be drilled in material)	1" (25.4 mm)	3/16" to 1/2"	2 Pieces	LS2B25-25A	LS2R25-25A
				4 Pieces	LS4B25-25A	LS4R25-25A

For drywall use: screw 2216 and anchor ANC6, ANC6Z. For concrete use: screw 2216 and anchor ANC2



LED SIGN CLAMP Also Available. Page 34



Desktop Standoffs

- Desk standoffs
- Designed from high quality stainless steel
- Set screw to lock in place
- Felt pad base / bottom



1/2" (12.7 mm) Diameter Desktop Standoffs

Mounting Ø	Head	Angle	Clear Aluminum	Matte Black	Stainless Steel
3/8" (10 mm)	Flat 0.08"	60°	100.008A	100.008MB	
1/4" (6.5 mm)					100.008

Thickness of material accepted for SS: 2 x 3/16" or 1 x 3/8" (2 x 4 mm or 9.53 mm)
for Aluminum: Up to 3/8" (10 mm)



1/2" (12.7 mm) Diameter Desktop Standoffs

Mounting Ø	Angle	Head	Item #
3/8" (10 mm)	30°	Flat	100.002

Thickness of material accepted: 2 x 3/16" or 1 x 3/8" (2 x 4 mm or 9.53 mm)



Material Connector

Mounting Ø	Head	Material Thick	Clear Aluminum	Black Anodized	Stainless Steel
3/16" (5.3 mm)	Flat 1/16"	3/8"	MC038A	MC038B	MC038S
3/16" (5.3 mm)	Flat 1/4"	3/16" to 3/8"	MCS038A	MCS038B	MCS038S
3/8" (10 mm)	Flat 1/16"	3/16" to 3/8"	N/A	N/A	100.020

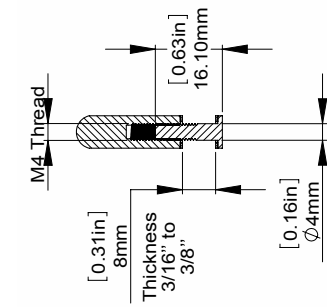


Desktop Standoffs

5/16" (8 mm) Diameter Desktop Standoffs

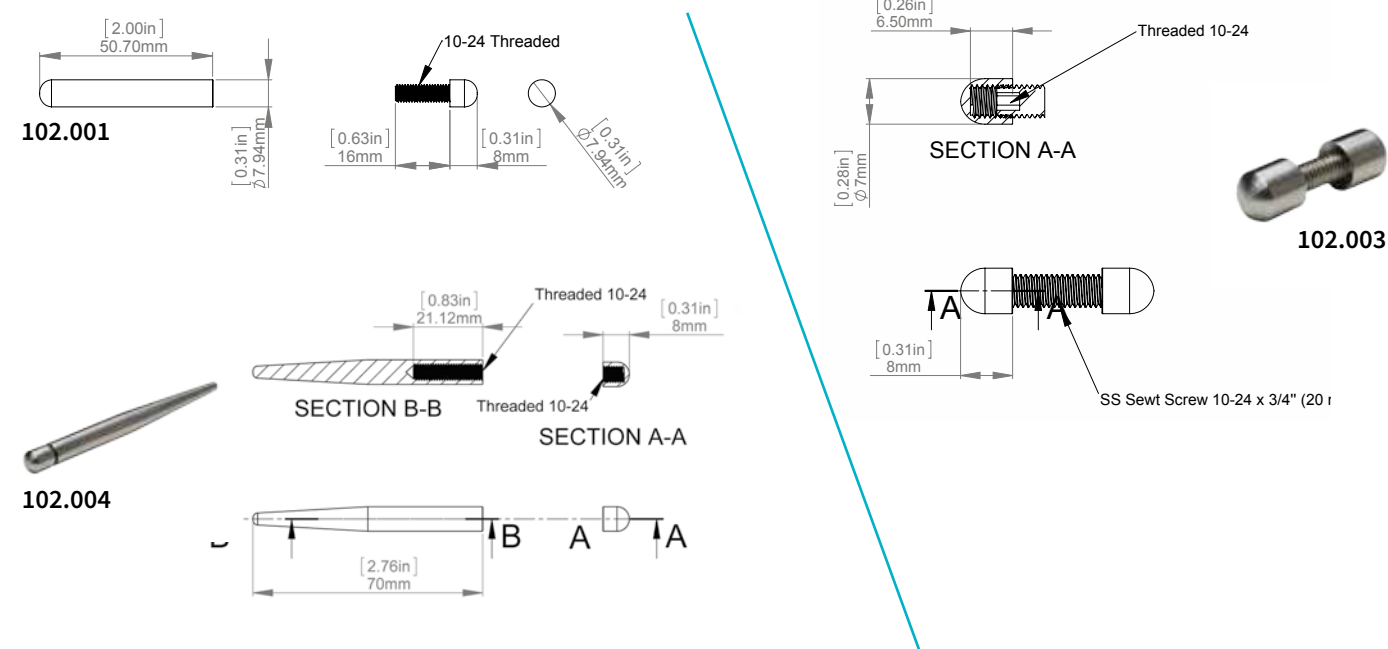
Mounting Ø	Head	Item #
3/16" (5 mm)	Flat	102.005

Thickness of material accepted: 1/8" to 3/8" (4 mm to 10 mm)



5/16" (8 mm) Diameter Desktop Standoffs

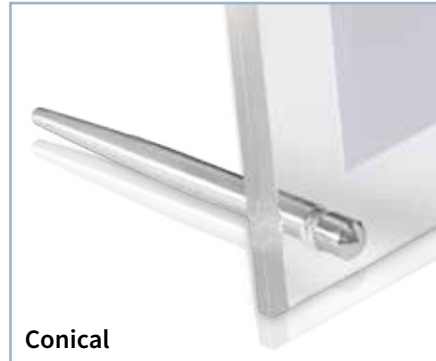
Description	Length	Material Thickness Accepted	Aluminum				Stainless Steel
			Dull	Shiny	Black	Gold	Satin
Cylinder Desktop Standoffs	2" (50.8 mm)	3/8" (9.5 mm)	102.001A	102.001AS	102.001B	102.001G	102.001
	2 3/4" (70.0 mm)	3/8" (9.5 mm)	102.002A	102.002AS	102.002B	102.002G	102.002
Conical Desktop Standoffs	2 3/4" (70.0 mm)	3/8" (9.5 mm)	102.004A	102.004AS	102.004B	102.004G	102.004
Material Connector	1/4" (6.35 mm)	3/8" (9.5 mm)	102.003A	102.003AS	102.003B	102.003G	102.003



Desktop Standoffs with Acrylic



- Aluminum or stainless steel desktop standoffs
- 5 finishes
- Usable vertically or horizontally for 8.5 x 11" Insert



Description	Sizes	Insert Sizes	Aluminum				Stainless Steel
			Dull	Shiny	Black	Gold	Satin
Clear Acrylic Frame Kit with 3" Clear Anodized Aluminum Rounded Desktop Standoffs	12 1/2" x 10"	8.5 x 11"	AC12510-3A	AC12510-3AS	AC12510-3B	AC12510-3G	AC12510-3

Cell Phone / Tablet Standoffs



Parts included:

- (2) Wall Pegs
- (2) Washers*
- (2) Dry Wall Screws
- (2) Plastic Anchors
- (1) Mini Allen Wrench

The Royal Stand by MBS

Our phones are apart of us and we need to protect them.

It is time to take a stand against losing your phone to the toilet.

Safely secure your phone on The Royal Stand.

Nobody wants to fish their phone out

The Royal Stand prevents your

The Royal Stand by MBS

Description	Diameter	Distance from the Wall	Aluminum					
			Dull	Mirror	Matte Black	Bronze	Titanium	Gold
Set of 2 pieces of Cell Phone / Tablet Standoffs	5/8"	1 3/16"	CP058A	CP058AP	CP058MB	CP058AB	CP058T	CP058OB



Silicone & Nylon Washer

Silicone Washers	Inside Diameter	Outside Diameter	Thickness	Item #
	5/16"	1/2"	0.06"	SW050
		5/8"		SW058
		3/4"		SW075
		7/8"		SW078
		1"		SW100
		1 1/4"		SW125

Nylon Washers	Inside Diameter	Outside Diameter	Thickness	Item #
	3/16"	3/8"	0.031"	NW038
		1/2"		NW0501024
	1/4"	5/8"	0.031"	NW058025
		3/4"		NW075025
		7/8"		NW078025
		1"		NW100025
	5/16"	1/2"	0.031"	NW050
		5/8"		NW058
		3/4"		NW075
		7/8"		NW078
		1"		NW100
		1 1/4"		NW125
	1 1/2"		NW150	
	2"		NW200	

SCREW AND ANCHOR IN 3 EASY STEPS...

1
Screw



2
Mount Head




3
Done Deal!



Hardware for Standoffs

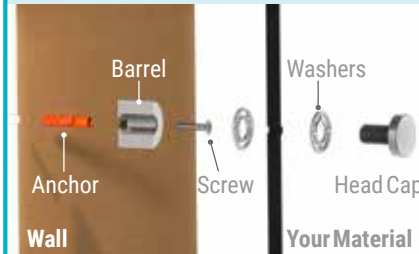
For Drywall and Concrete

Description	Diameter	Length	Item #
 Phillips flat head screw	#6	3/4" (19 mm)	2206
 Drywall nylon anchor	#6		ANC5
 Drywall zinc anchor	#6		ANC5Z
 Concrete/drywall plastic anchor; drill size 1/4"	#6		ANC1
 Phillips flat head screw	#6	1 1/2" (40 mm)	2208
 Drywall nylon anchor	#8		ANC6
 Drywall zinc anchor	#8		ANC6Z
 Concrete/drywall plastic anchor; drill size 1/4"	#8		ANC2
 Phillips flat head screw	#8	3/4" (20 mm)	2214
 Phillips flat head screw	#8	1 1/2" (40 mm)	2216
 Phillips flat head screw	#8	2" (50 mm)	2217
Screw and anchor for stronger resistance (select products only)			
 Concrete/drywall plastic anchor; drill size 5/16"	#10		ANC3
 Phillips flat head screw	#10	1 1/4" (32 mm)	2225
Screw and anchor for stronger resistance (select products only)			
 Concrete/drywall plastic anchor; drill size 3/8"	#12		ANC4
 Phillips flat head screw	#12	1 1/4" (32 mm)	2234
 Drywall nylon toggle wings	#8	Pre-Drill 9/16"	TBW9
 Nylon toggle tool key			TBW9K
 Phillips flat head screw	#8	1 1/2" (32 mm)	2216
 Drywall spring toggle wings	#6		TBW6
 Phillips flat head screw	#6	2 1/2" (63 mm)	2200Z
 Drywall spring toggle wings	#8		TBW8
 Phillips flat head screw	#8	2 1/2" (63 mm)	2300

More Lengths available on our website!



SET SCREW LOCKS HEAD IN PLACE!



1. Insert anchor into wall
2. Add the screw through the barrel and into the anchor
3. Place washer on top of barrel
4. Align material on top of washer and add top washer
5. Take cap/stud, go through washers, material and screw into barrel

ANCHOR DATASHEET WEIGHT LIMITS AVAILABLE on our website or upon request through our Certified Sales Representative

Installation Tools for Standoffs

For Drywall and Concrete



Description	Item #
 68 piece Tool Set	SET
 Screw Driver for Hex 1/4 Bit with Ergonomic Rubber Handle	61300
 Mini Stubby Handle for Hex 1/4 Bit	61200
 1/4 Magnetic Bit Holder	MBH1/4
Philips Head Insert Bit #1 x 3"	PH1-3
Philips Head Insert Bit #2 x 3"	PH2-3
Hex Tamper Proof: 1.5 mm x 31/8"	611015
Hex Tamper Proof: 2 mm x 3 1/8"	611020
Hex Tamper Proof: 2.5 mm x 3 1/8"	611025
Hex Tamper Proof: 3 mm x 3 1/8"	611030
Torx Tamper Proof: T10 BIT x 3 1/8"	101000
Torx Tamper Proof: T15 BIT x 3 1/8"	101010
Torx Tamper Proof: T20 BIT x 3 1/8"	101020
Hex Tamper Proof: 1.5 mm Stubby Handle	611015-K
Hex Tamper Proof: 2 mm Stubby Handle	611020-K
Hex Tamper Proof: 2.5 mm Stubby Handle	611025-K
Hex Tamper Proof: 3 mm Stubby Handle	611030-K
Hex Tamper Proof: 1.5, 2, 2.5, 3 mm Stubby Handle	STUBBYSET
 2 mm Allen Wrench	ALLENM4
Standoff Sample Display	DISPLAY-1
 1/4" Cobalt Drill Bit	DB14
 5/32" Cobalt Drill Bit	DB532
 7/32" Cobalt Drill Bit	DB732



Item #: SETBIT

Item #: 61300

Item #: 6110**-K

Item #: MBH1/4

Item #: STUBBYSET

Item #: 61200

Item #: DISPLAY-1



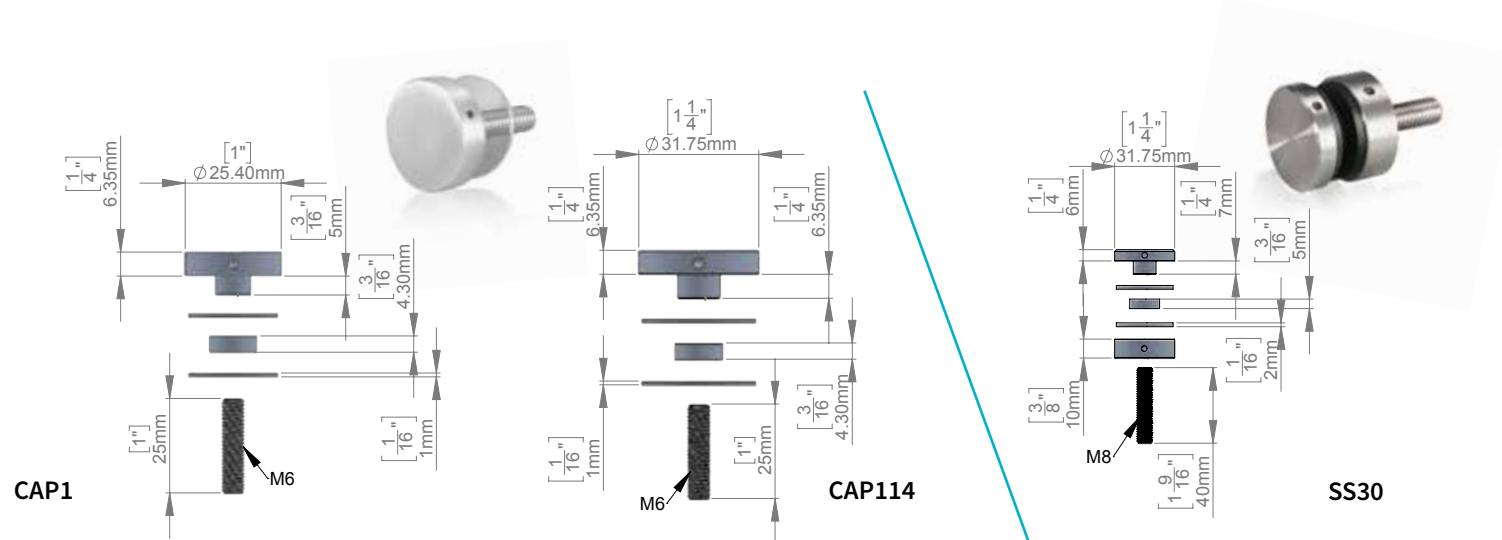
Glass Standoffs



Open Request Product

Description	Mounting	Mounting Plate	
		Brushed	Polished
High Grade 316 Stainless Steel, 2" Glass Rail Standoff Fitting with Mounting Plate	For Use with 1/2" and 3/4" (12 and 19 mm) Monolithic Tempered Glass or 9/16" and 27/32" (13.52 and 21.52 mm) Laminated Glass Using DuPont® SentryGlas® Interlayers	RS0B20SS	RS0B20SP
Set of Cap High Grade 316 Stainless Steel, 1" Diameter	5/16"	CAP1BS	CAP1BP*
Set of Cap High Grade 316 Stainless Steel, 1 1/4" Diameter,	5/16"	CAP114BS	CAP114BP*
Set of Cap and barrel High Grade 316 Stainless Steel, 1 3/16" Diameter, Barrel 3/8"	5/16"	SET-150	

*Available upon request minimum order quantity 100



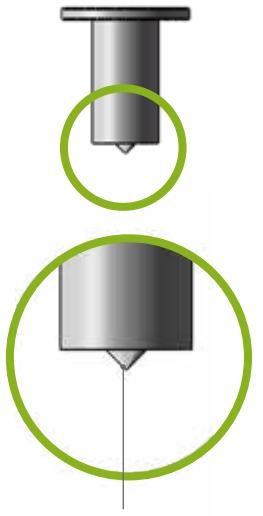
Glass Standoffs to Stick with Bit to mark Material

- 3 different diameters
- 3 different heights
- Easy to install with a special design to mark support

Diameter	Standoff	Aluminum		Stainless Steel	
		Clear Anodized	Black Anodized	Brushed Indoor Use	Brushed Indoor / Outdoor Use
1/2"	5/16" (7.93 mm)	GS050-050A	GS050-050B	GS050-050S	GS050-050S304
	1" (25.4 mm)	GS050-100A	GS050-100B	GS050-100S	GS050-100S304
	2" (50.8 mm)	GS050-200A	GS050-200B	GS050-200S	GS050-200S304
3/4"	5/16" (7.93 mm)	GS075-050A	GS075-050B	GS075-050S	GS075-050S304
	1" (25.4 mm)	GS075-100A	GS075-100B	GS075-100S	GS075-100S304
	2" (50.8 mm)	GS075-200A	GS075-200B	GS075-200S	GS075-200S304
1"	5/16" (7.93 mm)	GS100-050A	GS100-050B	GS100-050S	GS100-050S304
	1" (25.4 mm)	GS100-100A	GS100-100B	GS100-100S	GS100-100S304
	2" (50.8 mm)	GS100-200A	GS100-200B	GS100-200S	GS100-200S304

For drywall use: screw 2216 and anchor ANC6, ANC6Z. For concrete use: screw 2216 and anchor ANC2

Glue Glue Glass to Stainless Steel UV640 GUV640



Bit to mark material

INSTALLATION GUIDE

The directions below are general installation recommendations. The weight of each fastener depends on the conditions of use. To avoid unnecessary tension it is advised to avoid over tightening of the body support.

- Using adhesive place the Head support on the back of the glass or letter.
- Place the Glass or letter against the template and use pressure to mark placement of pilot holes.
- Place template and drill appropriately.
- Attach Body ends in correct positions.
- Securely the letters into place using Set Screw on the barrel.



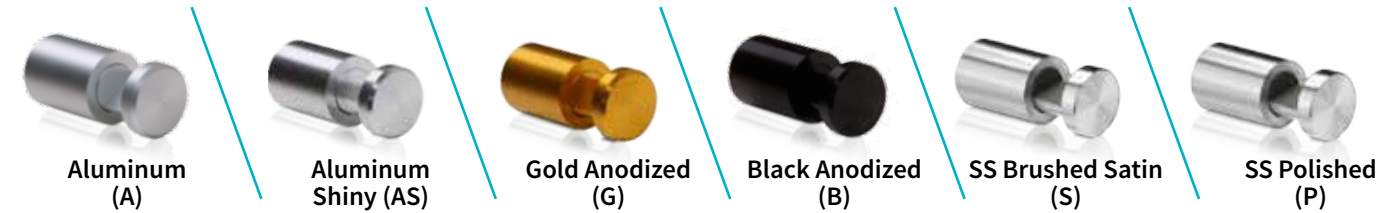
Adjustable Edge Grip Standoffs

6 Finishes – Stainless Steel for Indoor Use Only, Aluminum for Indoor and Outdoor

- Wall mounted edge grip standoffs
- Designed from high quality of material
- No holes required
- Protective washer included
- Set screw to lock in place
- Requires 2 mm (M4) Allen key
- Mounting hardware not included



6 DIFFERENT FINISHES



INSTALL OUR EDGE GRIPS QUICK AND EASY

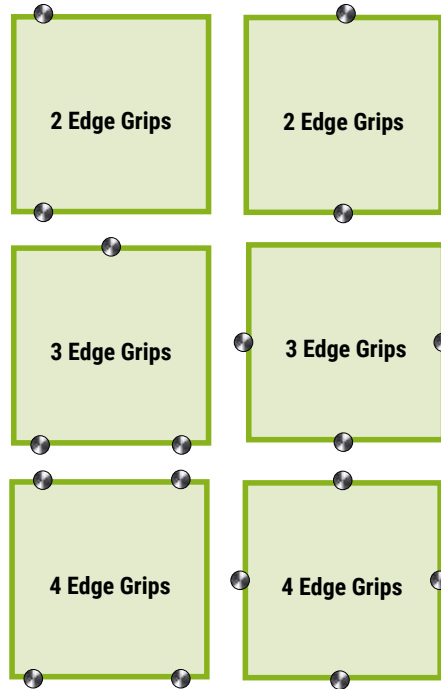
1. Mark on your surface area where you will put your holes.
2. Now, drill a hole for each marked area (hole size is according to anchor type), and then insert your anchors into each hole.
3. After you put your anchors in you will want to take an Allen key and unlock the edge grip.
4. Remove the edge grip from the base and insert the Phillips flat head screw into the barrel and screw into your anchor.
5. You will now want to insert the edge grip back into the base and tighten to the base.
6. Lastly, place your material in the slots of the edge grips and tighten the set screw down until it is tight on your material.
7. Once this is complete, wipe off any finger smudges on the standoff and stare in amazement at your completed project.



Adjustable Edge Grip Standoffs

6 Finishes – Stainless Steel for Indoor Use Only, Aluminum for Indoor and Outdoor

Diameter	Standoff	Material Thickness	Aluminum				Stainless Steel	
			Clear	Shiny	Gold	Black	Bushed	Polished
1/2"	1/2" (12.7 mm)	3/16"	EG050-050A	EG050-050AS	EG050-050G	EG050-050B	EG050-050S	EG050-050P
	3/4" (19.0 mm)	3/8"	EG050-075A	EG050-075AS	EG050-075G	EG050-075B	EG050-075S	EG050-075P
	1" (25.4 mm)		EG050-100A	EG050-100AS	EG050-100G	EG050-100B	EG050-100S	EG050-100P
	1 1/2" (38.0 mm)		EG050-150A	EG050-150AS	EG050-150G	EG050-150B	EG050-150S	EG050-150P
	2" (50.8 mm)		EG050-200A	EG050-200AS	EG050-200G	EG050-200B	EG050-200S	EG050-200P
5/8"	1/2" (12.7 mm)	3/16"	EG058-050A	EG058-050AS	EG058-050G	EG058-050B	EG058-050S	EG058-050P
	3/4" (19.0 mm)	3/8"	EG058-075A	EG058-075AS	EG058-075G	EG058-075B	EG058-075S	EG058-075P
	1" (25.4 mm)		EG058-100A	EG058-100AS	EG058-100G	EG058-100B	EG058-100S	EG058-100P
	1 1/2" (38.0 mm)		EG058-150A	EG058-150AS	EG058-150G	EG058-150B	EG058-150S	EG058-150P
	2" (50.8 mm)		EG058-200A	EG058-200AS	EG058-200G	EG058-200B	EG058-200S	EG058-200P
3/4"	1/2" (12.7 mm)	3/16"	EG075-050A	EG075-050AS	EG075-050G	EG075-050B	EG075-050S	EG075-050P
	3/4" (19.0 mm)	3/8"	EG075-075A	EG075-075AS	EG075-075G	EG075-075B	EG075-075S	EG075-075P
	1" (25.4 mm)	1/2"	EG075-100A	EG075-100AS	EG075-100G	EG075-100B	EG075-100S	EG075-100P
	1 1/2" (38.0 mm)		EG075-150A	EG075-150AS	EG075-150G	EG075-150B	EG075-150S	EG075-150P
	2" (50.8 mm)		EG075-200A	EG075-200AS	EG075-200G	EG075-200B	EG075-200S	EG075-200P
7/8"	1/2" (12.7 mm)	3/16"	EG087-050A	EG087-050AS	EG087-050G	EG087-050B	EG087-050S	EG087-050P
	3/4" (19.0 mm)	3/8"	EG087-075A	EG087-075AS	EG087-075G	EG087-075B	EG087-075S	EG087-075P
	1" (25.4 mm)	1/2"	EG087-100A	EG087-100AS	EG087-100G	EG087-100B	EG087-100S	EG087-100P
	1 1/2" (38.0 mm)		EG087-150A	EG087-150AS	EG087-150G	EG087-150B	EG087-150S	EG087-150P
	2" (50.8 mm)		EG087-200A	EG087-200AS	EG087-200G	EG087-200B	EG087-200S	EG087-200P
1"	1/2" (12.7 mm)	3/16"	EG100-050A	EG100-050AS	EG100-050G	EG100-050B	EG100-050S	EG100-050P
	3/4" (19.0 mm)	3/8"	EG100-075A	EG100-075AS	EG100-075G	EG100-075B	EG100-075S	EG100-075P
	1" (25.4 mm)	1/2"	EG100-100A	EG100-100AS	EG100-100G	EG100-100B	EG100-100S	EG100-100P
	1 1/2" (38.0 mm)		EG100-150A	EG100-150AS	EG100-150G	EG100-150B	EG100-150S	EG100-150P
	2" (50.8 mm)		EG100-200A	EG100-200AS	EG100-200G	EG100-200B	EG100-200S	EG100-200P
1 1/4"	1/2" (12.7 mm)	3/16"	EG125-050A	EG125-050AS	EG125-050G	EG125-050B	EG125-050S	EG125-050P
	3/4" (19.0 mm)	3/8"	EG125-075A	EG125-075AS	EG125-075G	EG125-075B	EG125-075S	EG125-075P
	1" (25.4 mm)	1/2"	EG125-100A	EG125-100AS	EG125-100G	EG125-100B	EG125-100S	EG125-100P
	1 1/2" (38.0 mm)		EG125-150A	EG125-150AS	EG125-150G	EG125-150B	EG125-150S	EG125-150P
	2" (50.8 mm)		EG125-200A	EG125-200AS	EG125-200G	EG125-200B	EG125-200S	EG125-200P
1 1/2"	1/2" (12.7 mm)	3/16"	EG150-050A	EG150-050AS	EG150-050G	EG150-050B	EG150-050S	EG150-050P
	3/4" (19.0 mm)	3/8"	EG150-075A	EG150-075AS	EG150-075G	EG150-075B	EG150-075S	EG150-075P
	1" (25.4 mm)	1/2"	EG150-100A	EG150-100AS	EG150-100G	EG150-100B	EG150-100S	EG150-100P
	1 1/2" (38.0 mm)		EG150-150A	EG150-150AS	EG150-150G	EG150-150B	EG150-150S	EG150-150P
	2" (50.8 mm)		EG150-200A	EG150-200AS	EG150-200G	EG150-200B	EG150-200S	EG150-200P
Rectangular Head (1/2" x 3/4')								
1/2"	3/8" (9.5 mm)	1/4"	REG050-038A	REG050-038AS	REG050-038G	REG050-038B	REG050-038S	REG050-038P



Stainless Steel Edge Grip Standoffs

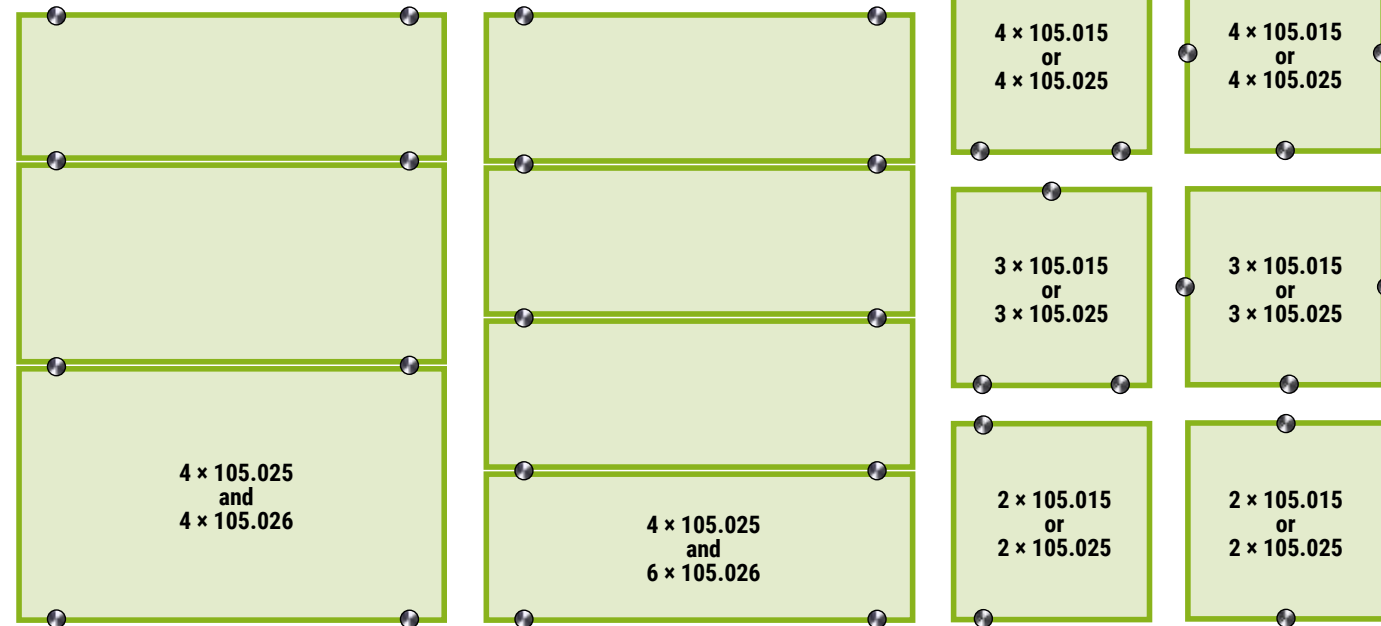
For Indoor Use



- Wall mounted edge grip standoffs
- Designed from high quality stainless steel
- Designed for flat material signs
- Non adjustable
- Requires 2 mm (M4) Allen key
- Hardware not included

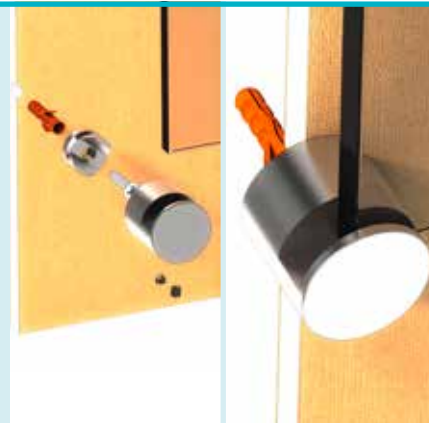


CONFIGURATION EXAMPLES!



INSTALL OUR EDGE GRIPS QUICK AND EASY

1. Mark on your surface area where you will put your holes.
2. Drill a hole for each marked area (hole size is according to anchor type), and insert your anchors into each hole.
3. Take an Allen key and unlock the edge grip.
4. Remove the edge grip from the base and insert the Phillips flat head screw into the barrel and screw into your anchor.
5. Insert the edge grip back into the base and tighten to the base.
6. Place your material in the slots of the edge grips and tighten the set screw down until it is tight on your material.
7. Wipe off any finger smudges on the standoff.



Edge Grip Standoffs

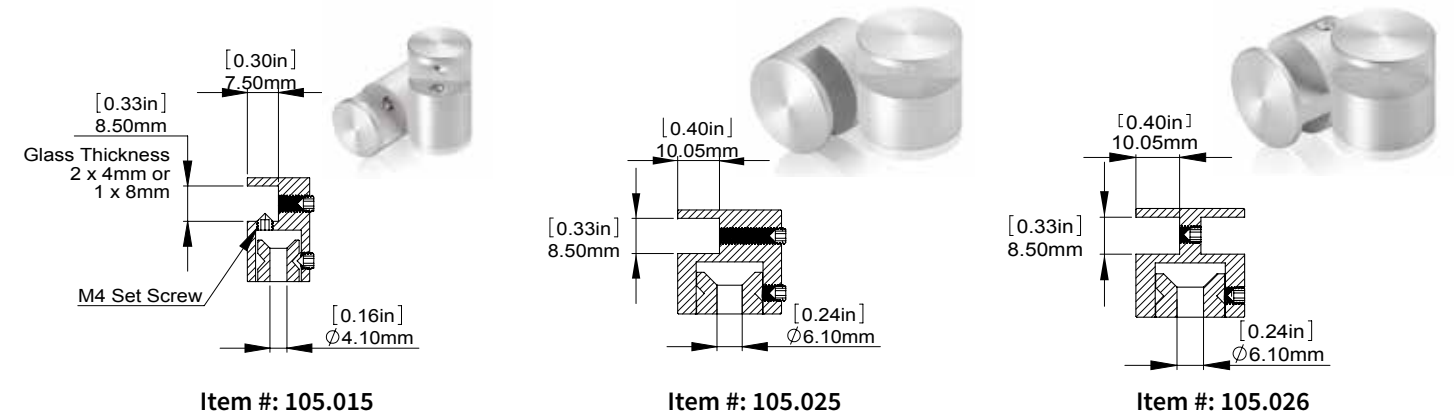
For Indoor Use

Diameter	Standoff	Material Thick.	Type	Aluminum					Stainless Steel
				Clear	Black	Gold	Bronze	Titanium	Brushed Indoor Use
9/16"	9/16" (15 mm)	5/16" (8mm)	Single Channel	105.015A	105.015B	105.015G	105.015AB	105.015T	105.015
1"	9/16" (15 mm)	5/16" (8mm)	Single Channel	105.025A	105.025B	105.025G	105.025AB	105.025T	105.025
	9/16" (15 mm)	5/16" (8mm)	Double Channel	105.026A	105.026B	105.026G	105.026AB	105.026T	105.026

Use for drywall: screw 2216 and anchor ANC6, ANC6Z

Use for concrete: screw 2216 and anchor ANC2

Thickness of material accepted: 2 @ 3/16" or 1 @ 5/16" (2 @ 4 mm or 8 mm)



* Glass not included. Images for example only



Non Adjustable Aluminum Sign Clamp

Aluminum Sign Clamps Are an Easy and Stylish Way to Display Your Most Important Items

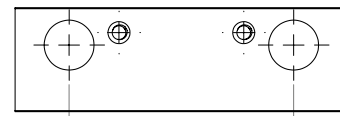


Length	Aluminum	
	Polished-Chrome	Satin
3 1/8" (80 mm)	R100-80-CP	R100-80-ST
4 3/4" (120 mm)	R100-120-CP	R100-120-ST
7 1/16" (180 mm)	R100-180-CP	R100-180-ST
11" (280 mm)	R100-280-CP	R100-280-ST
14 5/16" (380 mm)	R100-380-CP	R100-380-ST

Thickness of material accepted: 1/8" to 5/16" (3 mm to 8 mm)

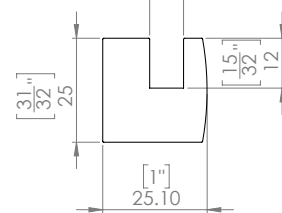
Use for drywall: 2 x screw 2216 and anchor 2 x ANC6 or 2 x ANC6Z

Use for concrete: 2 x screw 2216 and 2 x anchor ANC2



2 1/8" (54mm)
3 11/16" (94mm)
6 1/16" (154mm)
10" (254mm)
13 15/16" (354mm)

Material Accepted:
1/8" to 5/16"
(3.0mm to 8.0mm)



5 DIFFERENT SIZES



Adjustable Aluminum Sign Clamp

Aluminum Sign Clamps Are an Easy and Stylish Way to Display Your Most Important Items



Length	Aluminum	
	Polished-Chrome	Satin
3 1/8" (80 mm)	R100A-80-CP	R100A-80-ST
4 3/4" (120 mm)	R100A-120-CP	R100A-120-ST
7 1/16" (180 mm)	R100A-180-CP	R100A-180-ST
11" (280 mm)	R100A-280-CP	R100A-280-ST
14 5/16" (380 mm)	R100A-380-CP	R100A-380-ST

Thickness of material accepted: 1/16" to 3/8" (1.5 mm to 10 mm)

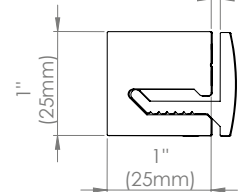
Use for drywall: 2 x screw 2216 and anchor 2 x ANC6 or 2 x ANC6Z

Use for concrete: 2 x screw 2216 and 2 x anchor ANC2



2 1/16" (52.50mm)
3 21/32" (92.50mm)
6" (152.50mm)
9 15/16" (252.50mm)
13 7/8" (352.50mm)

Material Accepted:
1/16" to 3/8"
(1.5mm to 10mm)

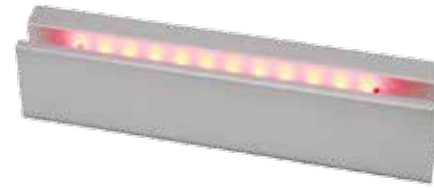





5 DIFFERENT SIZES



LED Sign Clamp

- 5 Different lengths
- Transformer included
- For better illumination edges of acrylic must be polished.



Size	Standoff	Material Thickness	Length			
				White	Blue	Red
1"	1"	1/4" to 5/16"	3 1/8"	LWR100A-80A	LBR100A-80A	LRR100A-80A
			4 3/4"	LWR100A-120A	LBR100A-120A	LRR100A-120A
			7 1/16"	LWR100A-180A	LBR100A-180A	LRR100A-180A
			11"	LWR100A-280A	LBR100A-280A	LRR100A-280A
			14 15/16"	LWR100A-380A	LBR100A-380A	LRR100A-380A

For drywall use: screw 2216 and anchor ANC6, ANC6Z. For concrete use: screw 2216 and anchor ANC2





LED STANDOFFS Also Available. Page 19



Edge Grip with 8.5 × 11" Acrylic

- Wall mounted edge grip standoffs
- Non adjustable
- Easy access to set screw to lock into place
- Hardware included
- Sold with or without acrylic



Description	Thickness material Accepted		
		Clear Anodized	Black Anodized
Kit of 4 wall mounted edge grip	3/16"	ASA1922A	ASA1922B
Kit of 4 wall mounted edge grip, Clear Anodized Aluminum with Acrylic 9.69" × 11.12", For insert 8.5" × 11"		ASA1922A-K	ASA1922B-K

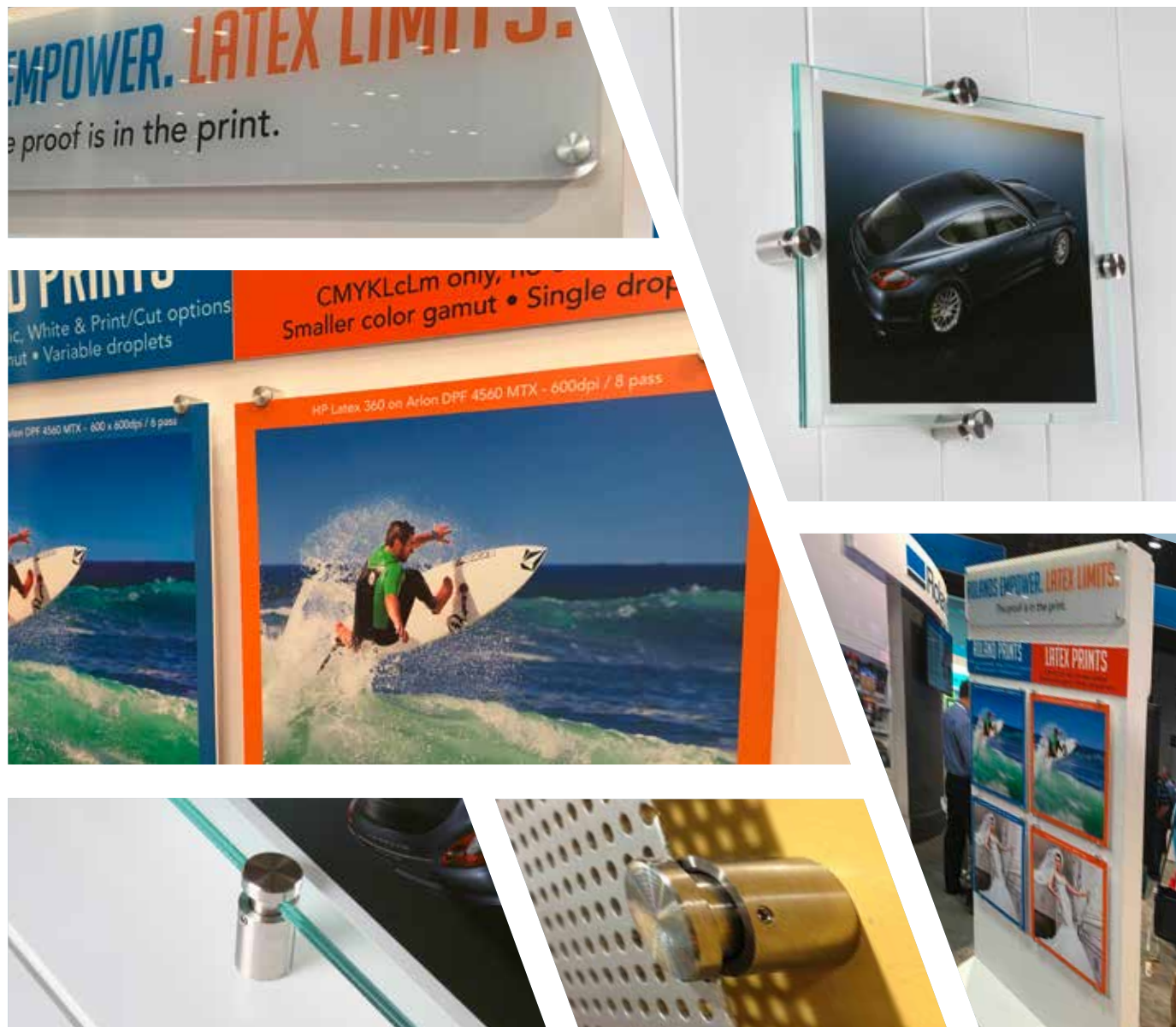


BULK QUANTITY? PERSONALIZED DESIGNS? SPECIAL REQUESTS?

Contact us today!

Our Signage Hardware Experts Will be delighted To Assist You!

1-813-938-6025 • sales@mbs-standoffs.com



CUSTOMIZABLE
STANDOFFS

CUSTOMIZABLE STANDOFFS



Caps

17 Finishes – 14 Outdoor / 3 Indoor Use



- Wall mounted standoff
- Designed from high quality materials
- Stainless steel and aluminum for indoor and outdoor use
- 17 different finishes
- 3 different caps



17 DIFFERENT FINISHES



*Available upon request minimum order quantity 100



Caps

17 Finishes, Indoor / Outdoor Use

Ideal For Multi-Mount Projects!



Diameter	Cap Height	Type	Tapped	Aluminum														Stainless Steel 304		
				Dull	Shiny	Black	Bronze	Gold	Antique Brass	Blue	Copper	Green	Dark Green	Graphite	Pink	Purple	Red	Tan	Brushed	Polished
1/4" (6.35 mm)	5/32" (4 mm)	Standard	6-32	CAP025A	CAP025AS	CAP025B	CAP025AB	CAP025G	CAP025BRA	CAP025BLE	CAP025COP	CAP025GRE	CAP025DGRE	CAP025GRA	CAP025PIN	CAP025PUR	CAP025RED	CAP025TAN	CAP025SS	CAP025SP
3/8" (9.52 mm)	1/4" (6.35 mm)	Standard	10-24	CAP038A	CAP038AS	CAP038B	CAP038AB	CAP038G	CAP038BRA	CAP038BLE	CAP038COP	CAP038GRE	CAP038DGRE	CAP038GRA	CAP038PIN	CAP038PUR	CAP038RED	CAP038TAN	CAP038SS	CAP038SP
1/2" (12.7 mm)	1/4" (6.35 mm)	Standard	10-24	CAP050A	CAP050AS	CAP050B	CAP050AB	CAP050G	CAP050BRA	CAP050BLE	CAP050COP	CAP050GRE	CAP050DGRE	CAP050GRA	CAP050PIN	CAP050PUR	CAP050RED	CAP050TAN	CAP050SS	CAP050SP
	1/4" (6.35 mm)	Locking	10-24	CAP050LA	CAP050LAS	CAP050LB	CAP050LAB	CAP050LG	CAP050LBRA	CAP050LBLE	CAP050LCOP	CAP050LGRE	CAP050LDGRE	CAP050LGRA	CAP050LPIN	CAP050LPUR	CAP050LRED	CAP050LTAN	CAP050LSS	CAP050LSP
	1/4" (6.35 mm)	Standard	1/4-20	CAP058025A	CAP058025AS	CAP058025B	CAP058025AB	CAP058025G	CAP058025BRA	CAP058025BLE	CAP058025COP	CAP058025GRE	CAP058025DGRE	CAP058025GRA	CAP058025PIN	CAP058025PUR	CAP058025RED	CAP058025TAN	CAP058025SS	CAP058025SP
	5/16" (6.35 mm)	Standard	5/16-18	CAP058A	CAP058AS	CAP058B	CAP058AB	CAP058G	CAP058BRA	CAP058BLE	CAP058COP	CAP058GRE	CAP058DGRE	CAP058GRA	CAP058PIN	CAP058PUR	CAP058RED	CAP058TAN	CAP058SS	CAP058SP
5/8" (15.87 mm)	1/4" (6.35 mm)	Locking	1/4-20	CAP058025LA	CAP058025LAS	CAP058025LB	CAP058025LAB	CAP058025LG	CAP058025LBRA	CAP058025LBLE	CAP058025LCOP	CAP058025LGRE	CAP058025LDGRE	CAP058025LGRA	CAP058025LPIN	CAP058025LPUR	CAP058025LRED	CAP058025LTAN	CAP058025LSS	CAP058025LSP
	5/16" (6.35 mm)	Locking	5/16-18	CAP058LA	CAP058LAS	CAP058LB	CAP100AB	CAP058LG	CAP058LBRA	CAP058LBLE	CAP058LCOP	CAP058LGRE	CAP058LDGRE	CAP058LGRA	CAP058LPIN	CAP058LPUR	CAP058LRED	CAP058LTAN	CAP058LSS	CAP058LSP
	1/4" (6.35 mm)	Standard	1/4-20	CAP075025A	CAP075025AS	CAP075025B	CAP075025AB	CAP075025G	CAP075025BRA	CAP075025BLE	CAP075025COP	CAP075025GRE	CAP075025DGRE	CAP075025GRA	CAP075025PIN	CAP075025PUR	CAP075025RED	CAP075025TAN	CAP075025SS	CAP075025SP
	3/8" (9.52 mm)	Standard	5/16-18	CAP075A	CAP075AS	CAP075B	CAP075AB	CAP075G	CAP075BRA	CAP075BLE	CAP075COP	CAP075GRE	CAP075DGRE	CAP075GRA	CAP075PIN	CAP075PUR	CAP075RED	CAP075TAN	CAP075SS	CAP075SP
3/4" (19.05 mm)	1/4" (6.35 mm)	Locking	1/4-20	CAP075025LA	CAP075025LAS	CAP075025LB	CAP075025LAB	CAP075025LG	CAP075025LBRA	CAP075025LBLE	CAP075025LCOP	CAP075025LGRE	CAP075025LDGRE	CAP075025LGRA	CAP075025LPIN	CAP075025LPUR	CAP075025LRED	CAP075025LTAN	CAP075025LSS	CAP075025LSP
	3/8" (9.52 mm)	Locking	5/16-18	CAP075LA	CAP075LAS	CAP075LB	CAP075LAB	CAP075LG	CAP075LBRA	CAP075LBLE	CAP075LCOP	CAP075LGRE	CAP075LDGRE	CAP075LGRA	CAP075LPIN	CAP075LPUR	CAP075LRED	CAP075LTAN	CAP075LSS	CAP075LSP
	1/4" (6.35 mm)	Standard	1/4-20	CAP078025A	CAP078025AS	CAP078025B	CAP078025AB	CAP078025G	CAP078025BRA	CAP078025BLE	CAP078025COP	CAP078025GRE	CAP078025DGRE	CAP078025GRA	CAP078025PIN	CAP078025PUR	CAP078025RED	CAP078025TAN	CAP078025SS	CAP078025SP
	1/4" (6.35 mm)	Locking	1/4-20	CAP078025LA	CAP078025LAS	CAP078025LB	CAP078025LAB	CAP078025LG	CAP078025LBRA	CAP078025LBLE	CAP078025LCOP	CAP078025LGRE	CAP078025LDGRE	CAP078025LGRA	CAP078025LPIN	CAP078025LPUR	CAP078025LRED	CAP078025LTAN	CAP078025LSS	CAP078025LSP
7/8" (22.22 mm)	1/4" (6.35 mm)	Standard	1/4-20	CAP100025A	CAP100025AS	CAP100025B	CAP100025AB	CAP100025G	CAP100025BRA	CAP100025BLE	CAP100025COP	CAP100025GRE	CAP100025DGRE	CAP100025GRA	CAP100025LPIN	CAP100025LPUR	CAP100025LRED	CAP100025LTAN	CAP100025SS	CAP100025SP
	3/8" (9.52 mm)	Standard	5/16-18	CAP100A	CAP100AS	CAP100B	CAP100AB	CAP100G	CAP100BRA	CAP100BLE	CAP100COP	CAP100GRE	CAP100DGRE	CAP100GRA	CAP100LPIN	CAP100LPUR	CAP100LRED	CAP100LTAN	CAP100SS	CAP100SP
	1/4" (6.35 mm)	Locking	1/4-20	CAP100025LA	CAP100025LAS	CAP100025LB	CAP100025LAB	CAP100025LG	CAP100025LBRA	CAP100025LBLE	CAP100025LCOP	CAP100025LGRE	CAP100025LDGRE	CAP100025LGRA	CAP100025LPIN	CAP100025LPUR	CAP100025LRED	CAP100025LTAN	CAP100025LSS	CAP100025LSP
	5/16" (8.0 mm)	Locking	5/16-18	CAP100LA	CAP100LAS	CAP100LB	CAP100LAB	CAP100LG	CAP100LBRA	CAP100LBLE	CAP100LCOP	CAP100LGRE	CAP100LDGRE	CAP100LGRA	CAP100025PIN	CAP100025PUR	CAP100025RED	CAP100025TAN	CAP100LSS	CAP100LSP
	1/8" (3.2 mm)	Rounded	5/16-18	CAP100RA	CAP100RAS	CAP100RB	CAP100RAB	CAP100RG	CAP100RBRA	CAP100RBLE	CAP100RCOP	CAP100RGRE	CAP100RDGRE	CAP100RGRA	CAP100RPIN	CAP100RPUR	CAP100RRED	CAP100RTAN	CAP100RSS	CAP100RSP
1 1/4" (31.75 mm)	1/2" (12.7 mm)	Standard	5/16-18	CAP125A	CAP125AS	CAP125B	CAP125AB	CAP125G	CAP125BRA	CAP125BLE	CAP125COP	CAP125GRE	CAP125DGRE	CAP125GRA	CAP125PIN	CAP125PUR	CAP125RED	CAP125TAN	CAP125SS	CAP125SP
	5/16" (8 mm)	Locking	5/16-18	CAP125LA	CAP125LAS	CAP125LB	CAP125LAB	CAP125LG	CAP125LBRA	CAP125LBLE	CAP125LCOP	CAP125LGRE	CAP125LDGRE	CAP125LGRA	CAP125LPIN	CAP125LPUR	CAP125LRED	CAP125LTAN	CAP125LSS	CAP125LSP
	1/8" (3.2 mm)	Rounded	5/16-18	CAP125RA	CAP125RAS	CAP125RB	CAP125RAB	CAP125RG	CAP125RBRA	CAP125RBLE	CAP125RCOP	CAP125RGRE	CAP125RDGRE	CAP125RGRA	CAP125RPIN	CAP125RPUR	CAP125RRED	CAP125RTAN	CAP125RSS	CAP125RSP
1 1/2" (38.10 mm)	1/2" (12.7 mm)	Standard	5/16-18	CAP150A	CAP150AS	CAP150B	CAP150AB	CAP150G	CAP150BRA	CAP150BLE	CAP150COP	CAP150GRE	CAP150DGRE	CAP150GRA	CAP150PIN	CAP150PUR	CAP150RED	CAP150TAN	CAP150SS	CAP150SP
	5/16" (8 mm)	Locking	5/16-18	CAP150LA	CAP150LAS	CAP150LB	CAP150LAB	CAP150LG	CAP150LBRA	CAP150LBLE	CAP150LCOP	CAP150LGRE	CAP150LDGRE	CAP150LGRA	CAP150LPIN	CAP150LPUR	CAP150LRED	CAP150LTAN	CAP150LSS	CAP150LSP
	1/8" (3.2 mm)	Rounded	5/16-18	CAP150RA	CAP150RAS	CAP150RB	CAP150RAB	CAP150RG	CAP150RBRA	CAP150RBLE	CAP150RCOP	CAP150RGRE	CAP150RDGRE	CAP150RGRA	CAP150RPIN	CAP150RPUR	CAP150RRED	CAP150RTAN	CAP150RSS	CAP150RSP
2" (50.80 mm)	1/2" (12.7 mm)	Standard	5/16-18	CAP200A	CAP200AS	CAP200B	CAP200AB	CAP200G	CAP200BRA	CAP200BLE	CAP200COP	CAP200GRE	CAP200DGRE	CAP200GRA	CAP200PIN	CAP200PUR	CAP200RED	CAP200TAN	CAP200SS	CAP200SP
	1/2" (12.7 mm)	Locking	5/16-18	CAP200LA	CAP200LAS	CAP200LB	CAP200LAB	CAP200LG	CAP200LBRA	CAP200LBLE	CAP200LCOP	CAP200LGRE	CAP200LDGRE	CAP200LGRA	CAP200LPIN	CAP200LPUR	CAP200LRED	CAP200LTAN	CAP200LSS	CAP200LSP

*Available upon request minimum order quantity 100



Caps

17 Finishes, Indoor / Outdoor Use

IDEAL FOR MULTI-MOUNT PROJECTS!

- 3 Different Shapes



Standard
Regular cap



Locking
As regular but with hole to use tightening tool



Rounded
Smooth shape to get small Relief

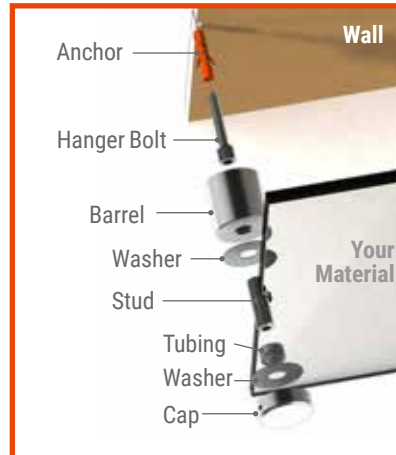
- 2 Materials: stainless steel and aluminum
- 17 Finishes: 15 for aluminum and 2 for stainless steel
- 8 Diameters: from 1/4" to 2"
- 4 Threads: 6-32, 10-25, 1/4-20 & 5/16-18

Other open request

CUSTOMIZE YOUR VERY OWN STANDOFF!

Mix and match between: Finish, Color, and Sizes

- Choose your cap
- Choose your barrel
- Determine stud length
- Add your washers
- Don't forget your combination screws and anchors (pages 50-51)



1. Insert anchor in wall
2. Add the combination screw to anchor
3. Screw barrel onto combination screw
4. Screw stud in barrel and add one washer
5. Place your material on the stud and add another washer
6. Screw cap onto stud
7. Take cap/stud, go through washers, material and screw into barrel



RESELLER/DISTRIBUTOR PROGRAM

MBS is always looking for new distributors.
Contact us to get more information on becoming a distributor.

1-813-938-6025 • sales@mbs-standoffs.com



STILL ON THE FENCE?
Order our new sample box today



1-813-938-6025
mbs-standoffs.com



Aluminum Hub for Customizable Standoffs

- Can hold 4 panels on the corner
- 3 Different diameters
- 3 Different material thicknesses



Diameter	Material Thickness	Anodized Aluminum	
		Clear	Black
1" 3/8" Hole Diameter (to be drilled in material)	1/4" (6.35 mm)	H100-025A	H100-025B
	3/8" (9.52 mm)	H100-038A	H100-038B
	1/2" (12.7 mm)	H100-050A	H100-050B
1 1/4" 3/8" Hole Diameter (to be drilled in material)	1/4" (6.35 mm)	H125-025A	H125-025B
	3/8" (9.52 mm)	H125-038A	H125-038B
	1/2" (12.7 mm)	H125-050A	H125-050B
1 1/2" 3/8" Hole Diameter (to be drilled in material)	1/4" (6.35 mm)	H150-025A	H150-025B
	3/8" (9.52 mm)	H150-038A	H150-038B
	1/2" (12.7 mm)	H150-050A	H150-050B

Plastic Tubing

Tempered glass is most vulnerable on its edges and may break from contact with the metal standoff. We recommend using washers and plastic tubing with glass materials. Washers protect the glass from the metal standoff preventing breakage.

	Inside Diameter	Outside Diameter	Length	Item #
For 1/4" 20 Stud	1/4"	3/8"	1/4"	PT025250
			3/8"	PT025375
			1/2"	PT025500
			3/4"	PT025750
For 5/16-18 Stud	5/16"	7/16"	1/4"	PT250
			3/8"	PT375
			1/2"	PT500
			3/4"	PT750

Aluminum Square Caps and Barrels

3 Finishes

- Wall mounted standoffs
- Designed from high quality aluminum
- Caps need your choice of stud length
- Don't forget your combination screws and anchors (pages 50-51)



ALUMINUM FINISHES AVAILABLE FOR EACH DIAMETERS IN



Aluminum Square Caps and Barrels

3 Finishes

Square Caps 5/16 – 18 Threaded

Diameter	Square	Aluminum		
		Clear	Black	Gold
3/4"	3/4" (19.0 mm)	CAP075SQA	CAP075SQB	CAP075SQG
1"	1" (25.4 mm)	CAP100SQA	CAP100SQB	CAP100SQG

Square Barrels 5/16 – 18 Threaded

Diameter	Square	Length	Tapped	Aluminum		
				Clear	Black	Gold
3/4"	3/4" (19.0 mm)	3/4" (19.0 mm)	Thru	S075-075SQA	S075-075SQB	S075-075SQG
	3/4" (19.0 mm)	1" (25.4 mm)	Thru	S075-100SQA	S075-100SQB	S075-100SQG
1"	1" (25.4 mm)	3/4" (19.0 mm)	Thru	S100-075SQA	S100-075SQB	S100-075SQG
	1" (25.4 mm)	1" (25.4 mm)	Thru	S100-100SQA	S100-100SQB	S100-100SQG

Use for drywall: screw HB5/16-125 and anchor ANC6, ANC6Z

Use for concrete: screw HB5/16-125 and anchor ANC2

Hole diameter to be drilled in your material: 3/8"



All packages are individually inspected multiple times by our certified shipping representatives to ensure your order is nothing less than perfect

1-813-938-6025
sales@mbs-standoffs.com



COMMITTED TO QUALITY



Hardware for Customizable Standoffs

Set Screw Studs 304 Stainless Steel Grade

Studs are used to join the cap and barrel. Because this is a custom setup, you will need to determine the length that is required. To do this you will add 1/2 to your material thickness.

	Thread Size	Hole Diameter	Allen Key Size	Length	Item #
 For Caps & Barrels 1/4" Diameter	#6-32	1/8"	1/16"	1/4"	SC6/32-01
				3/8"	SC6/32-02
				1/2"	SC6/32-03
				5/8"	SC6/32-06
				3/4"	SC6/32-04
				1"	SC6/32-05
				 For Caps & Barrels 3/8", 1/2" Diameter	#10-24
1/4"	SC10/24-02				
3/8"	SC10/24-03				
1/2"	SC10/24-04				
5/8"	SC10/24-05				
3/4"	SC10/24-09				
7/8"	SC10/24-12				
1"	SC10/24-06				
1 1/4"	SC10/24-10				
1 1/2"	SC10/24-07				
 For Caps & Barrels 5/8", 3/4", 7/8", 1" Diameter	1/4-20	5/16"	1/8"	5/16"	SC1/420-03
				3/8"	SC1/420-04
				1/2"	SC1/420-05
				5/8"	SC1/420-06
				3/4"	SC1/420-07
				1"	SC1/420-08
				1 1/4"	SC1/420-09
				1 1/2"	SC1/420-10
				2"	SC1/420-11
				 For Caps & Barrels 5/8", 3/4" 1", 1 1/4", 1 1/2", 2" Diameter	5/16-18
1/4"	SC5/16-02				
3/8"	SC5/16-03				
1/2"	SC5/16-04				
5/8"	SC5/16-05				
3/4"	SC5/16-06				
7/8"	SC5/16-07				
1"	SC5/16-08				
1 1/8"	SC5/16-09				
1 1/4"	SC5/16-10				
1 1/2"	SC5/16-11				
1 3/4"	SC5/16-12				
2"	SC5/16-13				
3"	SC5/16-30				
4"	SC5/16-40				

GET ALL PRICES THROUGH OUR NEW ONLINE STORE!

- 1** LOG ON to www.mbs-standoffs.com
 You can select the product you are looking for by hovering over "Products", then selecting the appropriate category.
- 2** Search using filter selection and find the right product!



- 3** Use all product tabs to find:
 - Description
 - Pictures
 - Datasheets
 - Videos
- 4** Shipping calculation and payment completed in **3 easy steps!**



COME TO MBS STANDOFFS – THE GO-TO PLACE FOR ALL YOUR PROMOTIONAL SIGN AND DISPLAY REQUIREMENTS

YouTube

WWW.MBS-STANDOFF.COM

FOLLOW US ON YOUTUBE!

- Product Videos
- Instruction Guides
- Testimonials
- Ideas and more...





Hardware for Customizable Standoffs

	Description	For	Diameter	Length	Item #
	Zinc Combination Screw	Anchor: ANC1, ANC5 ANC5Z, ANC5ZS	#6-32	1"	HB632
	Bit Driver	Combination Screw	#6-32		16766
	Zinc Combination Screw	Anchor: ANC1, ANC5 ANC5Z	10-24	1"	HB1024
	Zinc Combination Screw		10-24	1 1/2"	HB1024-12
	Zinc Combination Screw		10-24	2"	HB1024-2
	Anchor with Combination Screw		10-24		ANC5Z1024S
	Bit Driver	Combination Screw	10-24		400.424
	Zinc Combination Screw	No Anchor Available	1/4-20	1"	HB1/4-100
	Zinc Combination Screw	Anchor: ANC4	1/4-20	1 1/2"	HB1/4-150
	Bit Driver	Combination Screw	1/4-20		16769
	Spring Toggle Wings	Screw: HB1/4-200	1/4-20		TBW025
	Stainless Steel Combination Screw	Anchor: ANC1, ANC5, ANC5Z	#6	1" (25.4 mm)	HB5/16-100
	Zinc Combination Screw	Anchor: ANC1, ANC5, ANC5Z	#6	1" (25.4 mm)	HB5/16-100Z
	Stainless Steel Combination Screw	Anchor: ANC2, ANC6, ANC6Z	#8	1 1/4" (32 mm)	HB5/16-125
	Zinc Combination Screw	Anchor: ANC2, ANC6, ANC6Z	#8	1 1/4" (32 mm)	HB5/16-125Z
	Stainless Steel Combination Screw		#8	2" (50 mm)	HB5/16-2
	Zinc Anchor with Combination Screw HB5/16-100		5/16-18		ANC5ZS
	Hex Head Insert Bit 5/32"	Combination Screw			HEXBIT5/32
	Zinc Anchor with Combination Screw HB5/16-125		5/16-18		ANC6ZS
	Hex Head Insert Bit 1/8"	Combination Screw			HEXBIT1/8
	#6 Stainless Steel Screw and Anchor Package for Concrete				SACW6
	#8 Stainless Steel Screw and Anchor Package for Concrete				SACW8
	#6 Stainless Steel Screw and Nylon Anchor Package for Drywall				SADW6
	#8 Stainless Steel Screw and Nylon Anchor Package for Drywall				SADW8
	#8 Zinc Screw and Anchor Package for Drywall				SADW8Z
	#6 Stainless Steel Screw and Zinc Anchor Package for Drywall				SANDW6
	#8 Stainless Steel Screw and Zinc Anchor Package for Drywall				SANDW8



Hardware for Customizable Standoffs

For Drywall and Concrete

	Description	For	Diameter	Length	Item #
	Plastic Anchor for Concrete Drill Size 1/4"	Screw: #6	#6		ANC1
	Plastic Anchor for Concrete Drill Size 1/4"	Screw: #8	#8		ANC2
	Plastic Anchor for Drywall	Screw: #6	#6		ANC5
	Zinc Anchor for Drywall	Screw: #6	#6		ANC5Z
	Plastic Anchor for Drywall	Screw: #8	#8		ANC6
	Zinc Anchor for Drywall	Screw: #8	#8		ANC6Z
	Nylon Toggle Wings	Screw: #8	Pre-Drill 9/16"		TBW9
	Nylon Toggle Tool	Anchor: TBW9			TBW9K
	Combination Screw For Toggle Wing #6	Anchor: TBW8	5/16-18 to #8-32	2" (50.40 mm)	HB5/16-200
	Spring Toggle Wings	Screw: HB5/16-200	Pre-Drill 9/16"		TBW0516
	Zinc Steel Combination Screw For Toggle Wing #6	Anchor: TBW6	1/4-20 to #6-32	2" (50.40 mm)	HB025-200
	Zinc Hanger Bolt, Length:		5/16-18 to 12	1 1/2"	HB5/16-150
	Zinc Combination Screw		#8	1 1/4" (32 mm)	HB5/16-150Z
	Stainless Steel Combination		5/16 to #12	2" (50.40 mm)	HB5/16-2
	Steel Zinc Combination Screw		5/16 to #12	4"	HB5/16-4
	5/16 Thread Insert Sold without screw		5/16	1/4"	Insert516
	Screw for Insert 5/16		6/32	2 1/2"	2200Z
	Hex Head Insert Bit		1/8"	2" (50.40 mm)	HEXBIT1/8
	Hex Head Insert Bit		5/32"	2" (50.40 mm)	HEXBIT5/32



Machine Screws, Flat / Pan Head

Machine screws Zinc plated



Description	Thread	Length	Flat #	Pan #		
6-32 Machine Screws, Phillips, Zinc Plated Steel	6-32	3/16"	9325			
		1/4"	7601			
		5/16"	9326			
		3/8"	1487			
		7/16"	9327			
		1/2"	1488			
		5/8"	1489			
		3/4"	1490			
		7/8"	9328			
		1"	1491			
		1 1/4"	1492			
		1 1/2"	1493			
	2"	1494				
10-24 Machine Screws, Phillips, Zinc Plated Steel	10-24	1/4"		9241		
		3/8"	1507	1561		
		1/2"	1508	1562		
		5/8"	1509	1563		
		5/16"	9545	9242		
		3/4"	1510			
		7/8"	9546			
		1"	1511	1565		
		1 1/4"	1512	1566		
		1 1/2"	1513	1568		
		1 3/4"	9547			
		2"	1514			
1/4-20 Machine Screws, Phillips, Zinc Plated Steel	1/4-20	3/8"	1529			
		1/2"	1530	1584		
		5/8"	1531			
		3/4"	1532	1586		
		7/8"	9573			
		1"	1533	1587		
		1 1/4"	1534			
		1 1/2"	1535			
		1 3/4"	9574			
		2"	1536			
		5/16-18 Machine Screws, Phillips, Zinc Plated Steel	5/16-18	1/2"	9580	
				3/4"	9581	9284
7/8"				9285		
1"				9286		
1 1/4"	9583			9287		
1 1/2"	9584			9288		
1 3/4"	9585					
2"	9586					

Tools for Customizable Standoffs

	Description	For	Item #
	68 Piece Tool Set		SETBIT
	Screw Driver for Hex 1/4 Bit with Ergonomic Rubber Handle		61300
	Mini Stubby Handle for Hex 1/4 Bit		61200
	1/4 Magnetic Bit Holder		MBH1/4
	Allen Key 5/32"	All of 5/16 Studs	ALLENK5/32
	Allen Key 1/8"	Hanger Bolt HB5/16-100, HB5/16-100Z, HB5/16-125, HB5/16-125Z	ALLENK1/8
	Bit Driver	HB632 Screws	16766
	Bit Driver	HB1024 Screws	400.424
	Bit Driver	HB1/4-100 & HB1/4-150	16769
	Hex Head Insert Bit 1/8"	Hanger Bolt HB5/16-100, HB5/16-100Z,	HEXBIT1/8
	Hex Head Insert Bit 5/32"	Hanger Bolt HB5/16-125, HB5/16-125Z	HEXBIT5/32
	Locking Cap Tool	For Aluminum and Stainless Steel Locking Caps	LS01
	Thread Glue	Secure studs in place	TG01



RESELLER/DISTRIBUTOR PROGRAM

MBS is always looking for new distributors.
 Contact us to get more information on becoming a distributor.

1-813-938-6025 • sales@mbs-standoffs.com



SCREW CAP COVERS

SCREW CAP COVERS



Screw Cap Covers

Set of 4 Screw Covers – For Indoor and Outdoor Use

- Designed from high quality stainless steel & aluminum
- Designed for flush mounted projects
- 6 different diameters
- 8 different finishes (6 Aluminum, 2 Stainless Steel)
- For indoor or outdoor
- Includes: threaded brass insert
- Easy to use
- Stainless steel includes 3/4" wood screw, aluminum anchors sold separately

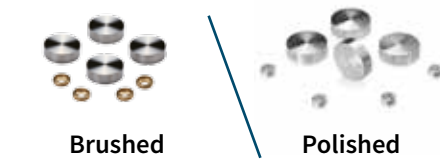


8 DIFFERENT FINISHES

Aluminum



Stainless Steel



Screw Cap Covers

Set of 4 Screw Covers – For Indoor and Outdoor Use

Diameter	Cap Height	Aluminum						Stainless Steel			
		Clear	Shiny	Black	Gold	Bronze	Titanium	Brushed Inside Use	Brushed Inside / Outside Use	Polished Inside Use	Polished Inside / Outside Use
1/2" (12 mm)	1/4"	SC12A	SC12AS	SC12B	SC12G	SC12AB	SC12T	SC12SSS	SC12SS304	SC12SSP	SC12SSP304'
5/8" (16 mm)	1/4"	SC16A	SC16AS	SC16B	SC16G	SC16AB	SC16T	SC16SSS	SC16SS304	SC16SSP	SC16SSP304'
3/4" (18 mm)	1/4"	SC18A	SC18AS	SC18B	SC18G	SC18AB	SC18T	SC18SSS	SC18SS304	SC18SSP	SC18SSP304'
13/16" (20 mm)	1/4"	SC20A	SC20AS	SC20B	SC20G	SC20AB	SC20T	SC20SSS	SC20SS304	SC20SSP	SC20SSP304'
7/8" (22 mm)	1/4"	SC22A	SC22AS	SC22B	SC22G	SC22AB	SC22T	SC22SSS	SC22SS304	SC22SSP	SC22SSP304'
1" (25 mm)	1/4"	SC25A	SC25AS	SC25B	SC25G	SC25AB	SC25T	SC25SSS	SC25SS304	SC25SSP	SC25SSP304'

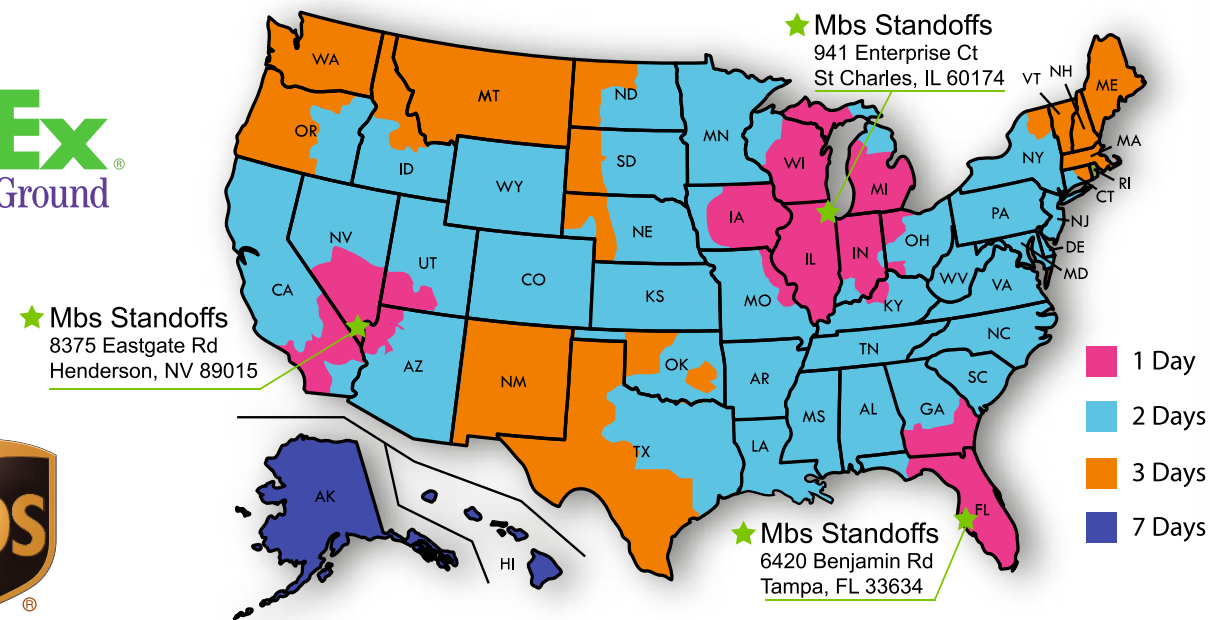
Use for drywall: screw 2208 and anchor ANC5. Use for concrete: screw 2208 and anchor ANC1
 *Available upon request minimum order quantity 100

INSTALLATION GUIDE

1. First mark your surface for the holes.
2. Next you will want to drill a hole and insert your anchors.
3. Then, drop your #6 screw through the threaded brass insert and screw it through your material into the anchor.
4. Finally, just screw the cover over the threaded insert, step back, and admire your beautiful display!



99.99% OF ORDERS SHIP SAME DAY!



Free Daily pickup and 1 to 2 days ground shipping to most States

Daily Pick-ups

We have a daily pick-up, so that all of our customers can take advantage of same day shipping.

Blind Shipping & Drop Shipping Available Upon Request (Fees may apply)

Don't forget we can always ship on your account.

If you are local, you can pick up your order within 30 minutes of placing your order.



Monday–Thursday up to 6:30pm,
Friday up to 5:30pm



Monday–Thursday up to: 6:30pm,
Friday up to 5:30pm

Shipping to Canada with Fedex, UPS & USPS, and anywhere in the world with DHL



Stainless Steel Tamper Proof Washer and Torx Screw

For Indoor and Outdoor Use



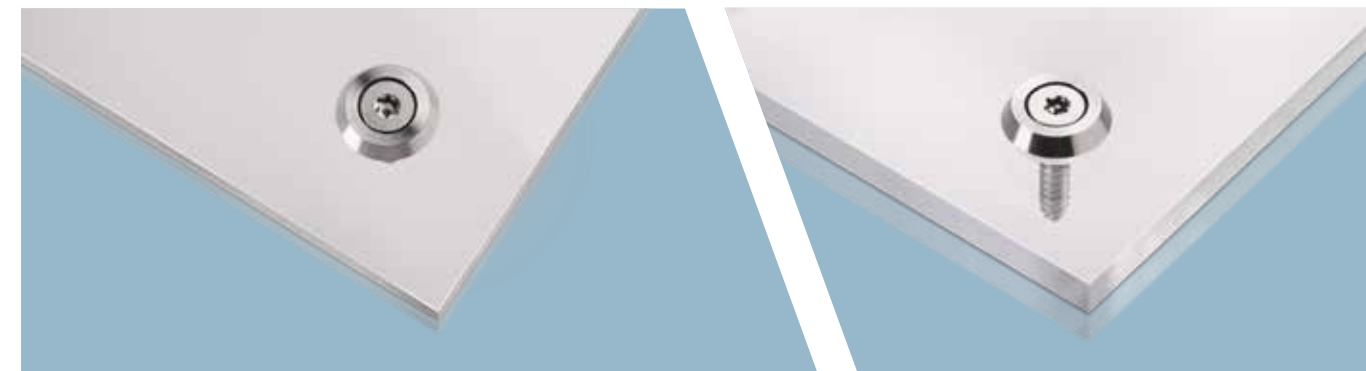
18-8 stainless steel Set of 4
5/8" (16 mm) Diameter washer with #8 Sheet Metal screws – torx – flat head

Diameter	Driver	Item #
5/8" (16 mm)	T20	WSC-1
Torx Bit Driver	T20	101020

Use for drywall: anchor ANC6, ANC6Z

Use for concrete: anchor ANC2

Thickness of material accepted: up to 1/2" (12 mm)



Stainless Steel Tamper Proof Screw

For Indoor and Outdoor Use



Description	Drive	Length	Item #
#8 Sheet Metal Screws Torx – Flat Head Stainless Steel 18-8	T20	1/2"	91800
		5/8"	91805
		3/4"	91810
		1"	91820
		1 1/4"	91830
10-24 Machine Screw Torx – Flat Head Stainless Steel 18-8	T20	1 1/2"	91840
		3/8"	91600
		1/2"	91605
		5/8"	91608
		3/4"	91610
		1"	91615
1 1/4"	91620		
1 1/2"	91625		



Item #: MBH1/4

Item #: 61300

Item #: 61200

Description	Item #
68 Piece Tool Set	SETBIT
Screw Driver for Hex 1/4 Bit with Ergonomic Rubber Handle	61300
Mini Stubby Handle for Hex 1/4 Bit	61200
1/4 Magnetic Bit Holder	MBH1/4
Torx Tamper Proof: T10 BIT	101000
Torx Tamper Proof: T15 BIT	101010
Torx Tamper Proof: T20 BIT	101020
1.5 mm Stubby Driver for Standoffs and Cable Systems	STUBBY15
2.0 mm Stubby Driver for Standoffs and Cable Systems	STUBBY2
2.5 mm Stubby Driver for Standoffs and Cable Systems	STUBBY25
3.0 mm Stubby Driver for Standoffs, Signage and Cable Systems	STUBBY3



PACKING

All packages are individually inspected multiple times by our certified shipping representatives to ensure your order is nothing less than perfect.



QUICK SNAP STANDOFFS



p.62



p.66



Quick Snap Standoffs

Our selection of quick fasteners for cut out letters the «Quick Snap» system is used for the installation of letters in relief. No drilling no screws visible on the face of the letters. The system is very simple and quick to use.

- 9 different sizes
- 4 different colors
- Adhesive or screw mounted option



Select the Best item with this Easy to Use Chart

Item	Maximum Height for Letter	Maximum weight per «QS»	Use
Mini	7 7/8" (200 mm)	0.55 lb (250 g)	indoor only
Small	7 7/8" (200 mm)	0.55 lb (250 g)	indoor & outdoor
Medium	9 13/16" (250 mm)	0.55 lb (250 g)	indoor & outdoor
Large	9 13/16" (250 mm)	0.55 lb (250 g)	indoor & outdoor
Big	9 13/16" (250 mm)	0.55 lb (250 g)	indoor & outdoor
ExtraBig	15 3/4" (400 mm)	0.88 lb (400 g)	indoor & outdoor
Jumbo	27 9/16" (700 mm)	1.54 lb (700 g)	indoor & outdoor
Giant	27 9/16" (700 mm)	1.54 lb (700 g)	indoor & outdoor
Oval	15 3/4" (400 mm)	0.77 lb (350 g)	indoor & outdoor



Quick Snap Standoffs

Installation in 5 Easy Steps

ADHESIVEMOUNTED

1. Surface
2. Body with screw
3. Letter
4. Head with adhesive

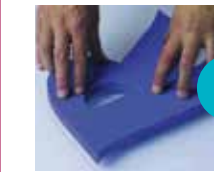
SCREW MOUNTED

1. Surface
2. Body with screw
3. Letter
4. Head with screw

The directions below are general installation recommendations. The weight of each fastener depends on the conditions of use. To avoid unnecessary tension it is advised to avoid over tightening of the body support.



1 Using adhesive place the Head support on the back of the letters.



2 Place the letter against the template and use pressure to mark placement of pilot holes.



3 Place template and drill appropriately.



4 Attach Body ends in correct positions.



5 Securely Snap the letters into place using slight pressure.



Quick Snap fasteners can be properly secured by using our Quick Snap adhesive for all letters made from acrylic or expanded PVC, or, by using our 2 component adhesive for letters out of aluminum, brass, stainless or multi layer aluminum enamel.

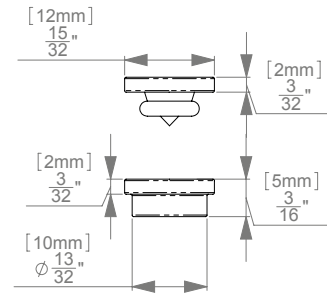


- Always use stainless steel screws.
- Tighten the screws through the fastener, then loosen a quarter of a turn.
- The fasteners must be used exclusively for letters.
- Use one fastener per 4" (10 cm)

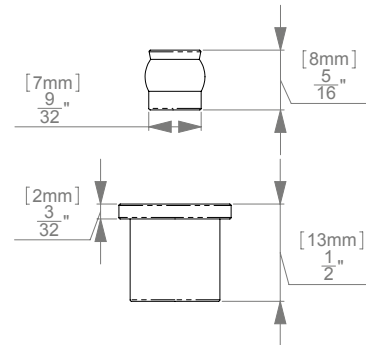


Quick Snap Standoffs

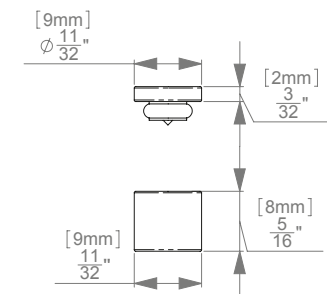
Mini



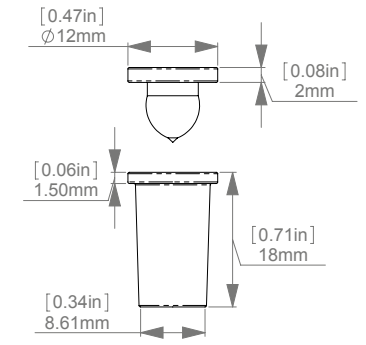
Large / Screw



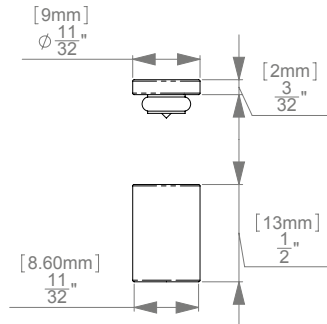
Small



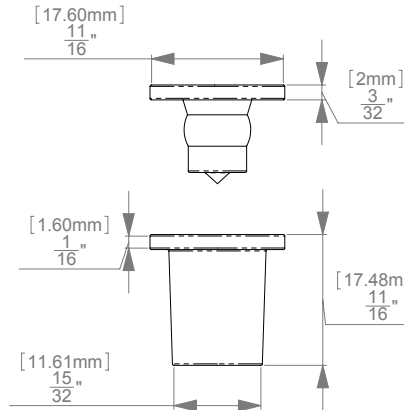
Big



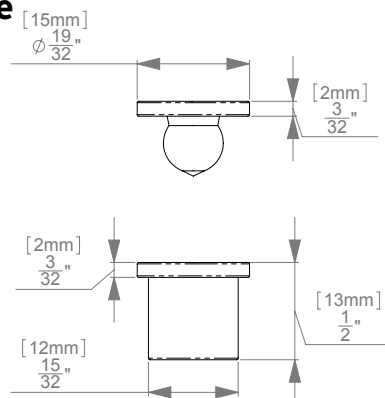
Medium



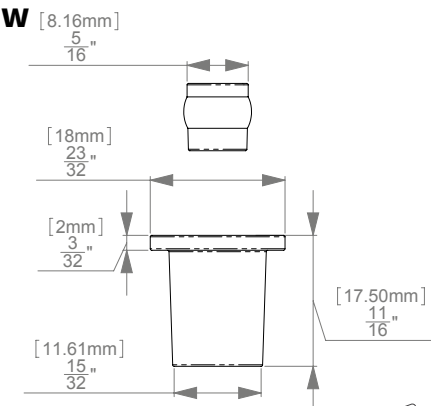
Extra Big



Large / Adhesive

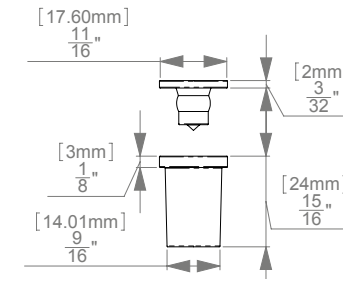


Extra Big / Screw

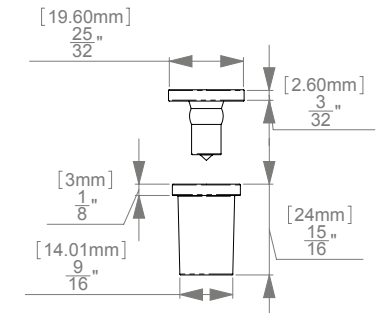


Quick Snap Standoffs

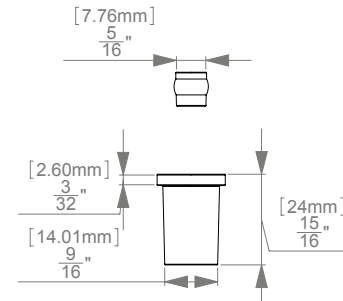
Jumbo / Adhesive



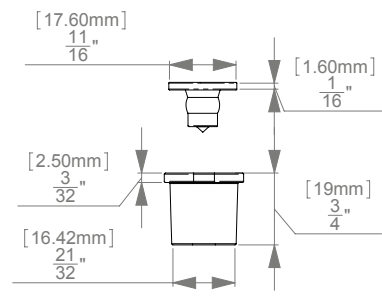
Giant



Jumbo/Screw



Oval



Name	Diameter	Rated Strength per Quick Snap	Distance from the wall	Tightening Method	Black	White	Clear	Grey
Mini	15/32"	0.55 lbs	1/4"	Adhesive mounted head	QSASB1HK	QSASB2HK	QSASB4HK	QSASB3HK
Small	11/32"	0.55 lbs	3/8"	Adhesive mounted head	QSBSB1HK	QSBSB2HK	QSBSB4HK	QSBSB3HK
Medium	11/32"	0.55 lbs	1/2"	Adhesive mounted head	QSCSB1HK	QSCSB2HK	QSCSB4HK	QSCSB3HK
Large	19/32"	0.55 lbs	5/8"	Adhesive mounted head	QSDSB1HK	QSDSB2HK	QSDSB4HK	QSDSB3HK
			1/2"	Screw On	QSDSB1HS	QSDSB2HS	QSDSB3HS	QSDSB3HS
Big	15/32"	0.55 lbs	3/4"	Adhesive mounted head	QSESB1HK	QSESB2HK	QSESB4HK	QSESB3HK
Extra Big	23/32"	0.88 lbs	3/4"	Adhesive mounted head	QSFBS1HK	QSFBS2HK	QSFBS4HK	QSFBS3HK
			3/4"	Screw On	QSFBS1HS	QSFBS2HS	QSFBS4HS	QSFBS3HS
Jumbo	23/32"	1.54 lbs	1"	Adhesive mounted head	QSGSB1HK	QSGSB2HK	QSGSB4HK	QSGSB3HK
			7/8"	Screw On	QSGSB1HS	QSGSB2HS	QSGSB4HS	QSGSB3HS
Giant	25/32"	1.54 lbs	1 1/8"	Adhesive mounted head	QSHSB1HK	QSHSB2HK	QSHSB4HK	QSHSB3HK
Oval	26/32" x 1/32"	0.88 lbs	7/8"	Adhesive mounted head	QSISB1HK	QSISB2HK	QSISB4HK	QSISB3HK

Quantity Per Bag: 250 Set

Sample Kit

Assorted Sizes for your review.
Refunded with your first order



Glue



Sample kit	Item #	Item #
Quick Snap Letter System Glue	QSSAMPLE	0.71 oz (20 gr) QSXGLU1
Quick Snap Letter System Glue Remover		0.71 oz (20 gr) QSXGLURE
Quick Snap Letter System 2 component Glue		1.69 fl oz (50 ml) QSXGLU2



Quick Snap Standoffs

Expander QS. Bags of 10.

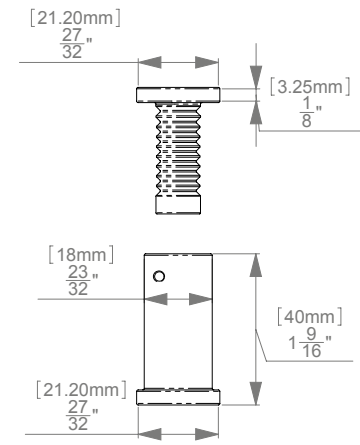
Expander I

- Adjustable standoff from 1 5/8" to 2 1/8"
- Diameter: 7/8" (22 mm)
- Adhesive or screw mounted
- Easily removable
- TREATED ANTI U.V. !!
- Standard: V-2 UL 94 temp. 122 Ca 1.8 Mpa & EN 50107

Color	Item #
Clear	QSJSB4H



Adhesive
or
Screw Mounted



Quick Snap Standoffs

Expander QS. Bags of 10.

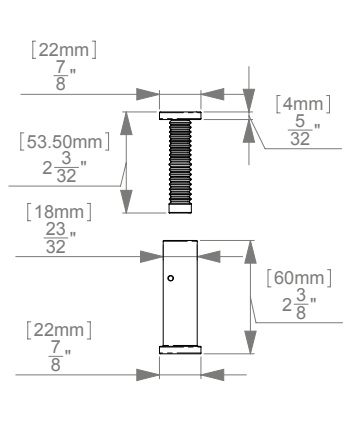
Expander II

- Adjustable standoff from: 2 1/2" to 3 3/8"
- Diameter: 7/8" (22 mm)
- Adhesive or screw mounted
- Easily removable
- TREATED ANTI U.V.
- Standard: V-2 UL 94 temp. 122 Ca 1.8 Mpa & EN 50107

Color	Item #
Clear	QSLSB4H



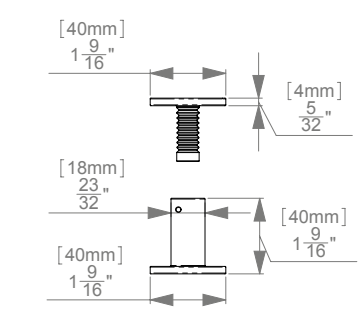
Adhesive
or
Screw Mounted



Expander I XL

- Adjustable standoff from 1 5/8" to 2 1/8"
- Diameter: 1 5/8" (40 mm)
- Adhesive or screw mounted
- Easily removable
- TREATED ANTI U.V.
- Standard: V-2 UL 94 temp. 122 Ca 1.8 Mpa & EN 50107

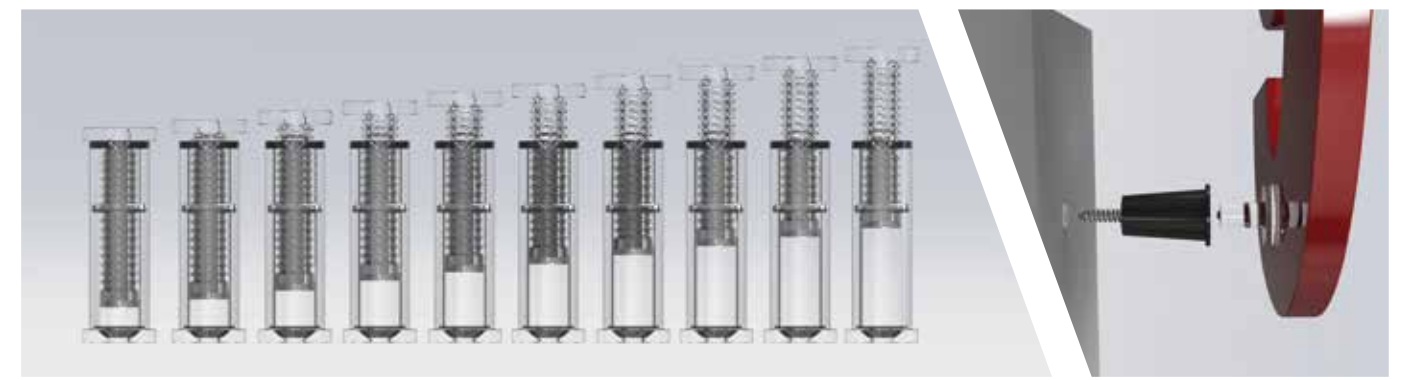
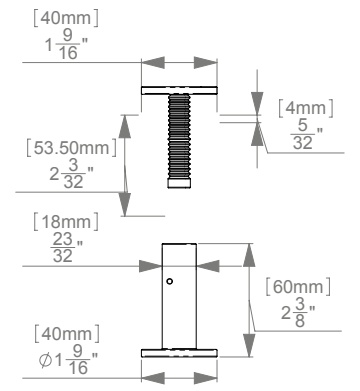
Color	Item #
Clear	QSKSB4H



Expander II XL

- Adjustable standoff from: 2 1/2" to 3 3/8"
- Diameter: 1 5/8" (40 mm)
- Adhesive or screw mounted
- Easily removable
- TREATED ANTI U.V.
- Standard: V-2 UL 94 temp. 122 Ca 1.8 Mpa & EN 50107

Color	Item #
Clear	QSMSB4H

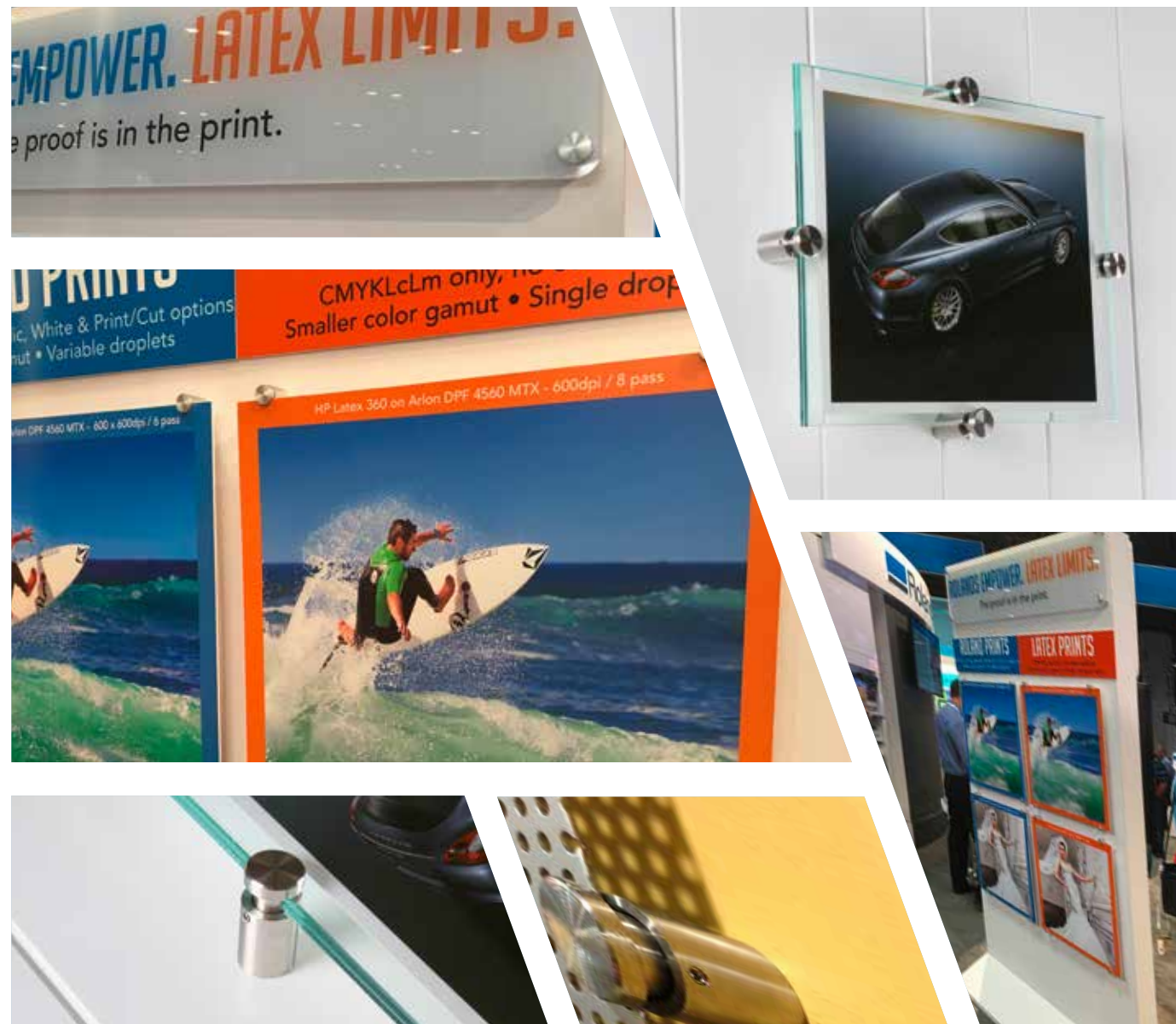


BULK QUANTITY? PERSONALIZED DESIGNS? SPECIAL REQUESTS?

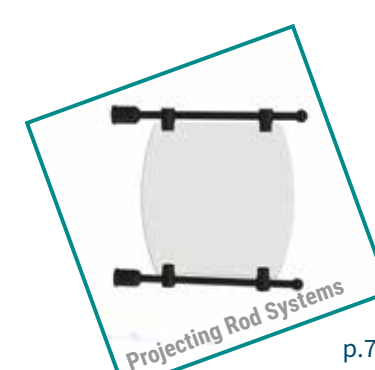
Contact us today!

Our Signage Hardware Experts Will be Delighted To Assist You!

1-813-938-6025 • sales@mbs-standoffs.com



PROJECTING SYSTEMS



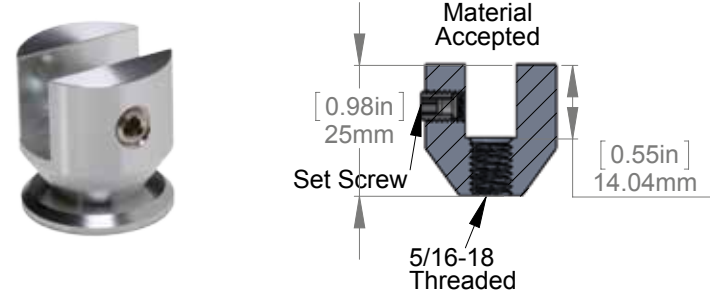
PROJECTING SYSTEMS



Projecting Wall Mount

For Indoor Use Only

- 2 Different diameters 7/8" and 1"
- Only 1" height
- Material accepted 3/16" to 1/2"
- No material drilling needed
- Can be used with washer reinforcement



7/8" & 1" Diameter (22 & 25.4 mm)

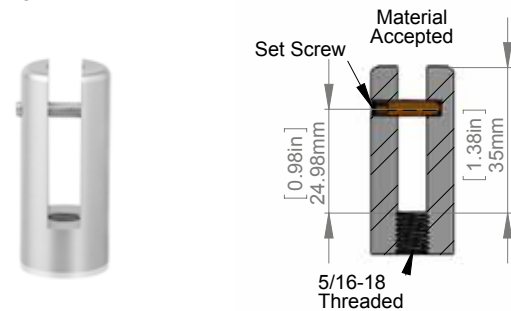
Diameter	Thickness Material Accepted	Aluminum						Stainless Steel	
		Dull Anodized	Shiny Anodized	Black Anodized	Gold Anodized	Bronze Anodized	Titanium Anodized	Brushed	Polished
7/8" (22 mm)	3/16" (4.76 mm)	PS125A	PS125AS	PS125B	PS125G	PS125AB	PS125T	PS125S	PS125P*
7/8" (22 mm)	1/4" (6.35 mm)	PS250A	PS250AS	PS250B	PS250G	PS250AB	PS250T	PS250S	PS250P*
7/8" (22 mm)	3/8" (9.52 mm)	PS375A	PS375AS	PS375B	PS375G	PS375AB	PS375T	PS375S	PS375P*
1" (25.4 mm)	1/2" (12.7 mm)	PS500A	PS500AS	PS500B	PS500G	PS500AB	PS500T	PS500S	PS500P*

* Special Fabrication MOQ: 100

Use for drywall: HB5/16-100 hanger bolt and anchor ANC5, ANC5Z or Set ANC5ZS

Use for concrete: HB5/16-100 hanger bolt and anchor ANC1

- 2 Different diameters 7/8" and 1"
- Only 1 3/4" height
- Material accepted 3/16" to 1/2"
- Material drilling 3/16"



7/8" & 1" Diameter (22 & 25.4 mm)

Diameter	Thickness Material Accepted	Aluminum						Stainless Steel	
		Dull Anodized	Shiny Anodized	Black Anodized	Gold Anodized	Bronze Anodized	Titanium Anodized	Brushed	Polished
7/8" (22 mm)	1/4" (6.35 mm)	PGS250A	PGS250AS	PGS250B	PGS250G	PGS250AB	PGS250T	PGS250S	PGS250P*
7/8" (22 mm)	3/8" (9.52 mm)	PGS375A	PGS375AS	PGS375B	PGS375G	PGS375AB	PGS375T	PGS375S	PGS375P*
7/8" (22 mm)	1/2" (12.7 mm)	PGS500A	PGS500AS	PGS500B	PGS500G	PGS500AB	PGS500T	PGS500S	PGS500P*
1" (25.4 mm)	3/4" (19.05 mm)	PGS750A	PGS750AS	PGS750B	PGS750G	PGS750AB	PGS750T	PGS750S	PGS750P*

* Special Fabrication MOQ: 100

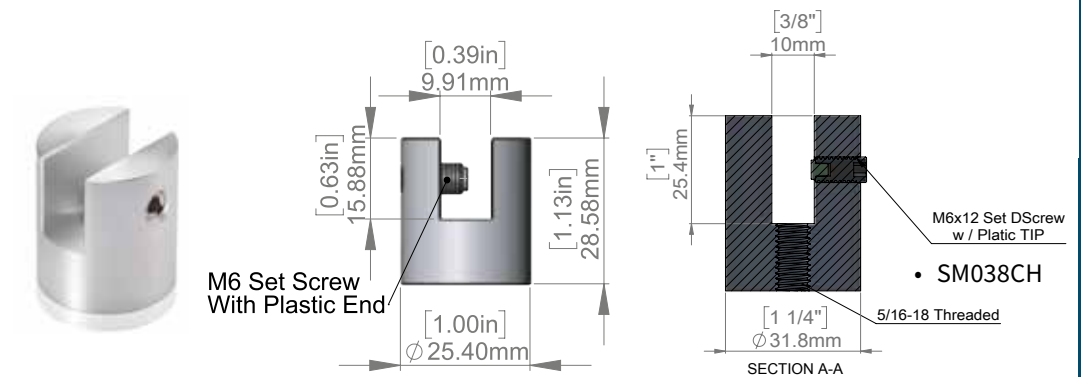
Use for drywall: HB5/16-100 hanger bolt and anchor ANC5, ANC5Z or Set ANC5ZS

Use for concrete: HB5/16-100 hanger bolt and anchor ANC1

Projecting Wall Mount

For Indoor Use Only

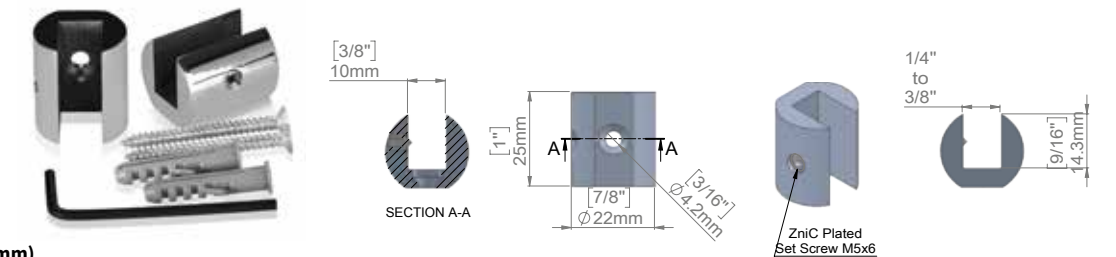
- 1" Diameter
- Only 1 1/8" height
- Material accepted 3/8"
- No material drilling needed



1" Diameter (25 mm)

Diameter	Thickness Material Accepted	Aluminum						Stainless Steel	
		Dull Anodized	Shiny Anodized	Black Anodized	Gold Anodized	Bronze Anodized	Titanium Anodized	Brushed	Polished
1" (25 mm)	3/8" (9.52 mm)	HM5010A	HM5010AS	HM5010B	HM5010G	HM5010AB	HM5010T	HM5010S	HM5010P*

- 7/8" Diameter
- Only 1 1/8" height
- Material accepted 3/8"
- No material drilling needed



7/8" Diameter (22 mm)

Diameter	Thickness Material Accepted	Aluminum						Stainless Steel	
		Dull Anodized	Shiny Anodized	Black Anodized	Gold Anodized	Bronze Anodized	Titanium Anodized	Brushed	Polished
7/8" (22 mm)	1/4" to 3/8"	PS078-100A	PS078-100AS	PS078-100B	PS078-100G	PS078-100AB	PS078-100T	PS078-100S	PS078-100P*

Washers add-on

Diameter	Aluminum						Stainless Steel	
	Dull Anodized	Shiny Anodized	Black Anodized	Gold Anodized	Bronze Anodized	Titanium Anodized	Brushed	Polished
1" (25 mm)	PSW100A	PSW100AS	PSW100B	PSW100G	PSW100AB	PSW100T	PSW100S	PSW100P*



Stainless Steel Projecting Wall Mount

For Indoor Use Only

Designed from high quality stainless steel

Designed for flat material signs

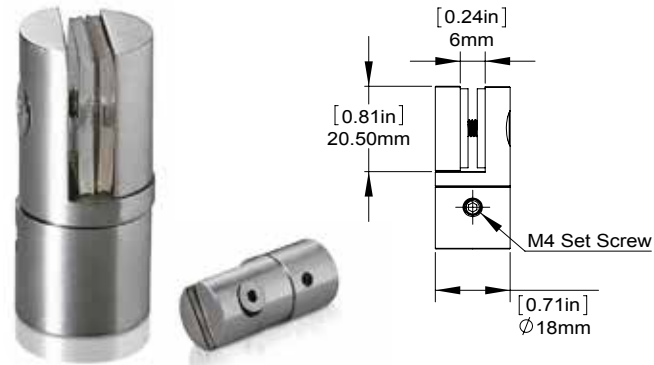
Use for drywall: screw 2216 and anchor ANC6, ANC6Z

Use for concrete: screw 2216 and anchor ANC2

Thickness of material accepted: 1/4" (6 mm)

3/4" (20 mm) Diameter

Mounting Diameter	Item #
3/8" (10 mm)	100.322



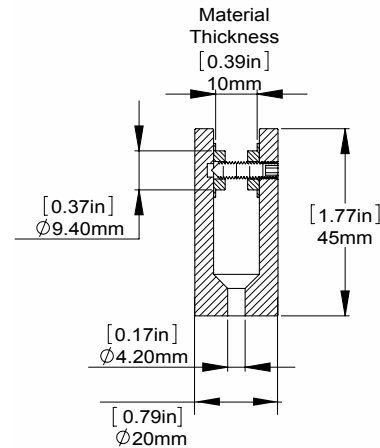
3/4" (20 mm) Diameter

Mounting Diameter	Holds	Item #
3/8" (10 mm)	3/8" (10 mm)	100.206

Use for drywall: screw 2216 and anchor ANC6, ANC6Z

Use for concrete: screw 2216 and anchor ANC2

Thickness of material accepted: 3/8" (10 mm)



INSTALLATION GUIDE!

1. First, mark where you will mount your standoffs, then drill any holes necessary and insert your anchors.
2. Next, loosen the Set Screw from the Projecting Wall mount and screw the Projecting Wall Mount securely into your anchor.
3. When your Projecting Wall Mounts are attached to the wall, place your material in the Projecting Wall Mount and tighten down the set screw.



Stainless Steel Flag Sign

For Indoor Use Only

Flag sign includes:

- 2 glasses 7 1/16" (180 mm) × 7 1/16" (180 mm) × 3/16" (4 mm)
- High grade stainless steel round bar
- 2 point wall attachment
- Art and hardware not included

Use for drywall: screw 2216 and anchor ANC6, ANC6Z

Use for concrete: screw 2216 and anchor ANC2

Item # 160.304

Insert sheet: clear, fuzzy, white

Item # 160.304SHT



All packages are individually inspected multiple times by our certified shipping representatives to ensure your order is nothing less than perfect

1-813-938-6025
sales@mbs-standoffs.com



Projecting Rod Systems 3/8" Diameter

For Indoor Use Only



Clear Anodized Finish



Matte Black Anodized Finish



- Flag sign includes:
- 3/8" Diameter Arm (2x)
- 2 Point wall attachment
- 4 Falksfor material up to 5/16" Thick.
- Art, Acrylic not included

Use for drywall:

Screw 2216 and anchor ANC6, ANC6Z

Use for concrete:

Screw 2216 and anchor ANC2

Optional:

- Set of 2 3 holes Mounting Plate
- Set of 2 End ball

Description	Diameter	Mounting Diameter	Material Thick. Accepted	Material Width Accepted	Aluminum		Stainless Steel
					Clear Anodized	Matte Black	Brushed
Set Of 2 Projection Rod Sold Without Acrylic	3/8" (10 mm)	1" (25 mm)	Up to 5/16"	Up to 8"	RPS8A	RPS8MB	RPS8SS
				Up to 12"	RPS12A	RPS12MB	RPS12SS
				Up to 16"	RPS16A	RPS16MB	RPS16SS
				Up to 20"	RPS20A	RPS20MB	RPS20SS
				Up to 24"	RPS24A	RPS24MB	RPS24SS
(2) Mounting Plate W/3 holes	1 15/16"	1 15/16"	N/A	N/A	RPSWMA	RPSWMB	RPSWMSS
(2) End ball for Rod	5/16"	3/8"	N/A	N/A	ROD310-REA	ROD310-REMB	ROD310-RSS



Set of 2 3 holes Mounting Plates



Set of 2 End ball

Projecting Rod Systems 3/8" Diameter

For Indoor Use Only



Up to 8"



Up to 12"



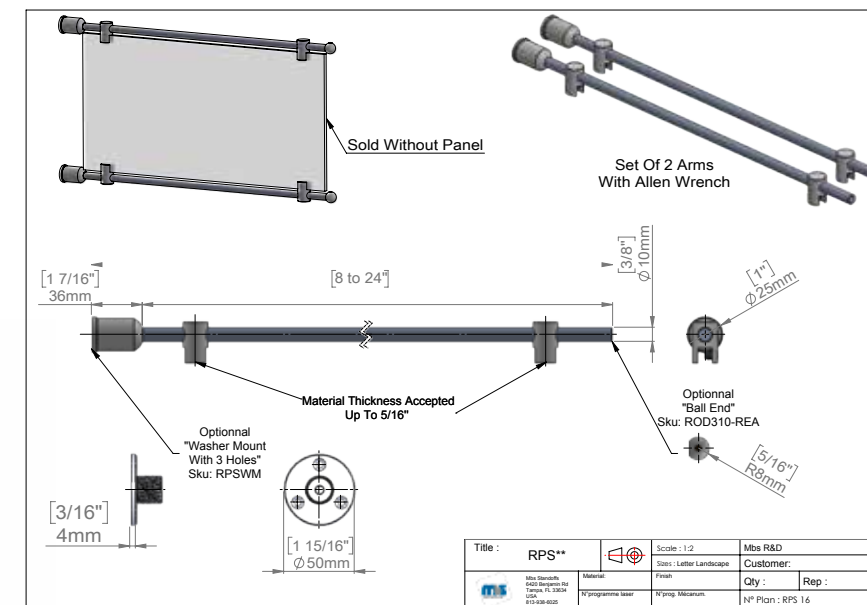
Up to 16"



Up to 20"



Up to 24"



Optional: 3 holes Mounting Plate

INSTALLATION GUIDE!

1. First, mark where you will mount your standoffs, then drill any holes necessary and insert your anchors.
2. Next, loosen the Set Screw from the Projecting Wall mount and screw the Projecting Wall Mount securely into your anchor.
3. When your Projecting Wall Mounts are attached to the wall, place your material in the Projecting Wall Mount and tighten down the set screw.



Stainless Steel Projecting

For Indoor Use Only



Diameter	Material Thick. Accepted	Comments	Aluminum					Stainless Steel	
			Clear	Black	Gold	Bronze	Titanium	Brushed	Polished
5/8"	1/8" to 1/4"	Set of 2	WMC058SP	WMC058B	WMC058G	WMC058AB	WMC058T	WMC058SS	WMC058SP

Stainless Steel Projecting Wall Mount Rounded

- Wall mounted side standoffs
- Designed from high quality stainless steel
- Designed for flat material signs

Use for drywall: screw 2216 and anchor ANC6, ANC6Z

Use for concrete: screw 2216 and anchor ANC2

Thickness of material accepted: up to 5/16" (8 mm)

Mounting Diameter	Item #
1 3/16" (30 mm)	100.154

- Set of 2 Wall mounted side standoffs
- Designed from high quality stainless steel
- Designed for flat material signs

Use for drywall: screw 2216 and anchor ANC6, ANC6Z

Use for concrete: screw 2216 and anchor ANC2

Thickness of material accepted: 2 @ 3/16" or 1 @ 5/16"

Mounting Diameter	Item #
3/8" (10 mm)	100.320



INSTALLATION GUIDE!

Tools required M4 Hex key, Phillips Screwdriver

Material Connector

For Indoor Use Only

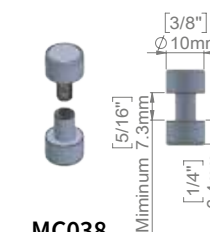
- Designed from high quality stainless steel and aluminum
- Designed for flat material signs
- 3 Finishes
- 1/4" To 1/2" thick, material accepted



3/8" (10 mm) Diameter

Diameter	Mounting Diameter	Material Thick. Accepted	Head	Aluminum		Stainless Steel
				Clear Anodized	Black Anodized	Brushed
3/8" (10 mm)	1/4" (6 mm)	5/16" to 1/2"	Flat 1/16" Thick.	MC38A	MC38B	MC38S
		1/4" to 3/8"	Flat 1/4" Thick.	MCS38A	MCS38B	MCS38S

MCS038



MC038

1/2" (12 mm) Diameter Double Sided Stainless Steel Screw

Mounting Diameter	Head	Item #
3/8" (10 mm)	Flat	100.020

Thickness of material accepted: 2 @ 3/16" or 1 @ 5/16" (2 @ 4 mm or 8 mm)



FOLLOW US ON YOUTUBE!

- Product Videos
- Instruction Guides
- Testimonials
- Ideas and more...



RESELLER/DISTRIBUTOR PROGRAM

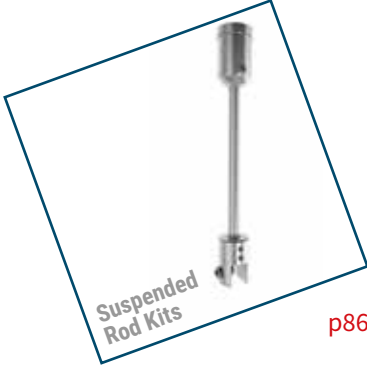
MBS is always looking for new distributors.

Contact us to get more information on becoming a distributor.

1-813-938-6025 • sales@mbs-standoffs.com



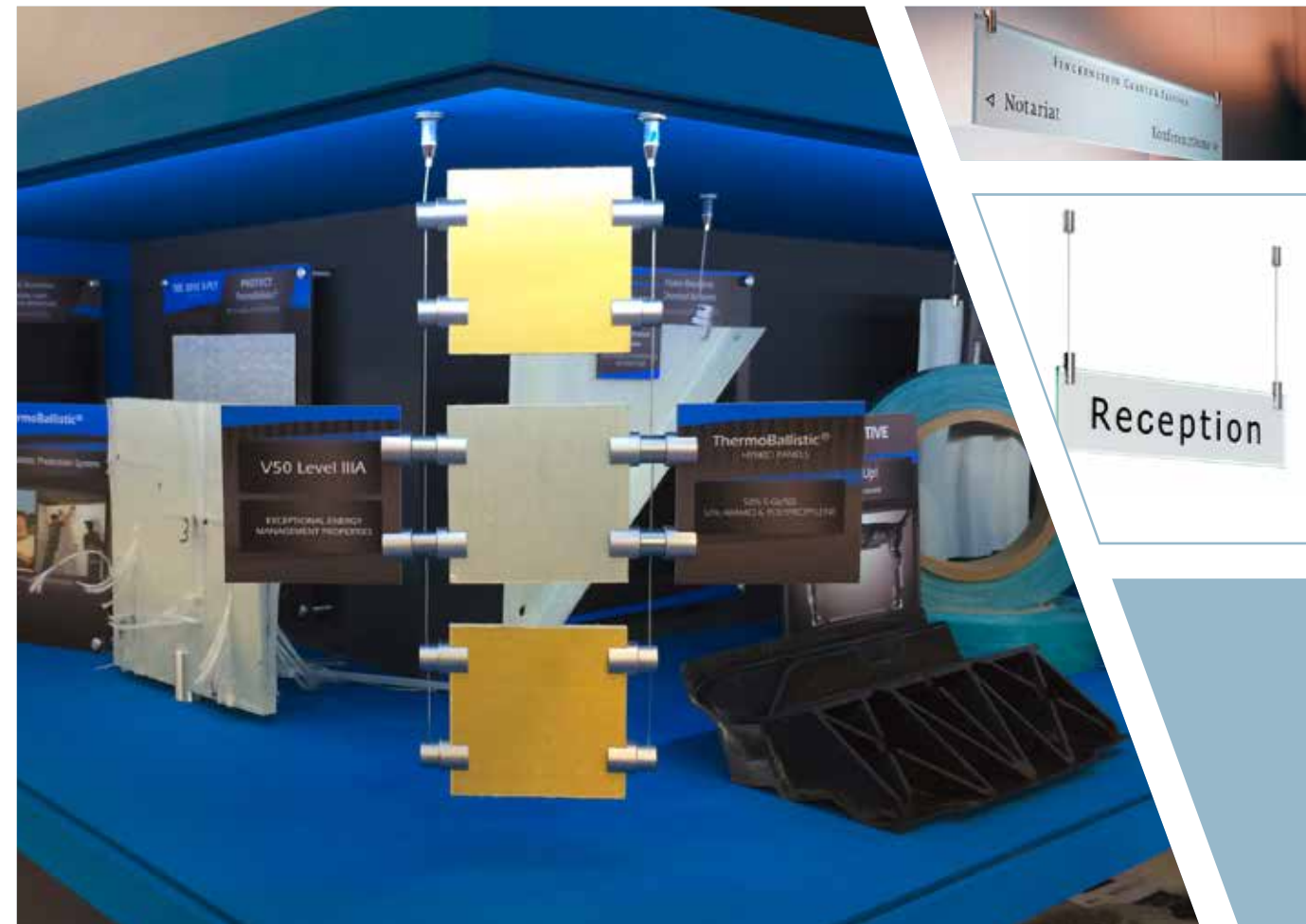
SUSPENDED SYSTEMS



Suspended System

Huge selection
of kits on our website
mbs-standoffs.com

- MBS offers a broad range of high quality suspended systems that perform better than any other
- Increased ceiling load, and reduced installation time
- There is an abundance of kits available – Sky's the limits!
- All of our suspended systems have installation guides along with updated YouTube videos to help you along the way
- We also have certified Sales Reps eager to help



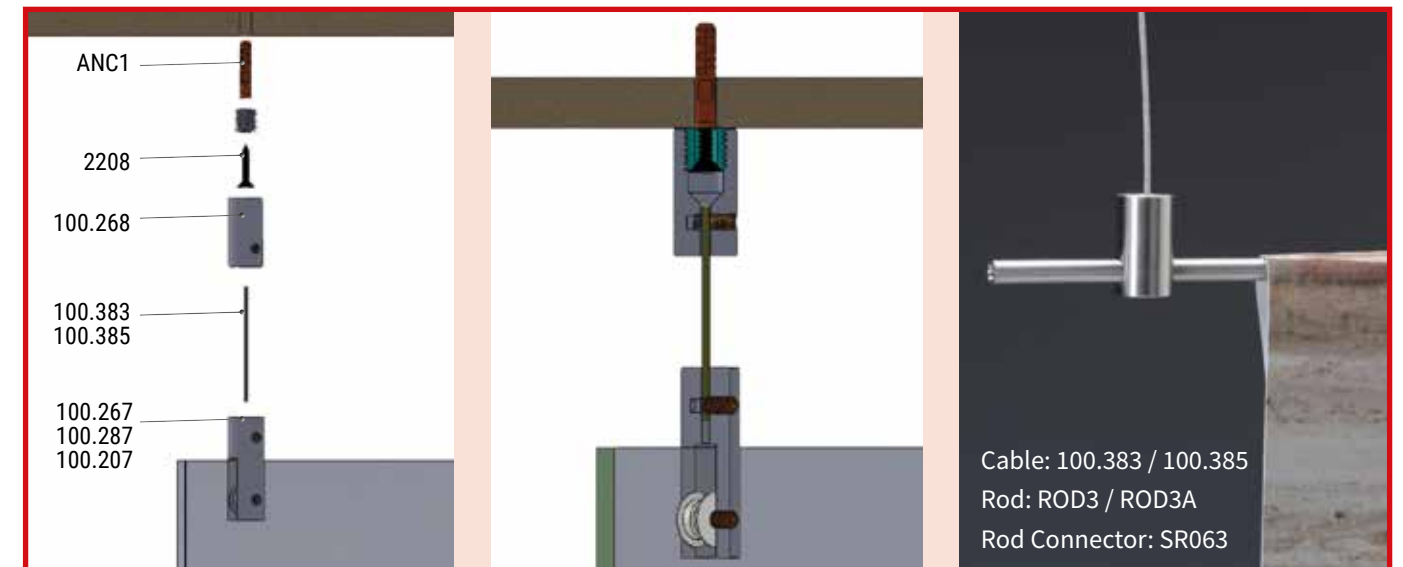
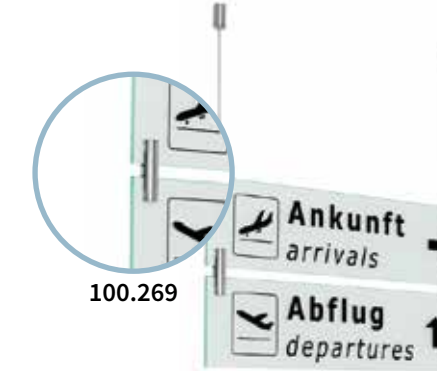
Suspended System

Technical Information

- Ceiling mounted glass holder
- Designed from high quality material
- Stainless steel for hanging signs
- Socket head cap screw to attach cable
- Maximum width between each cable 24"

Use for drywall: screw 2208 and anchor ANC5, ANC5Z

Use for concrete: screw 2208 and anchor ANC1



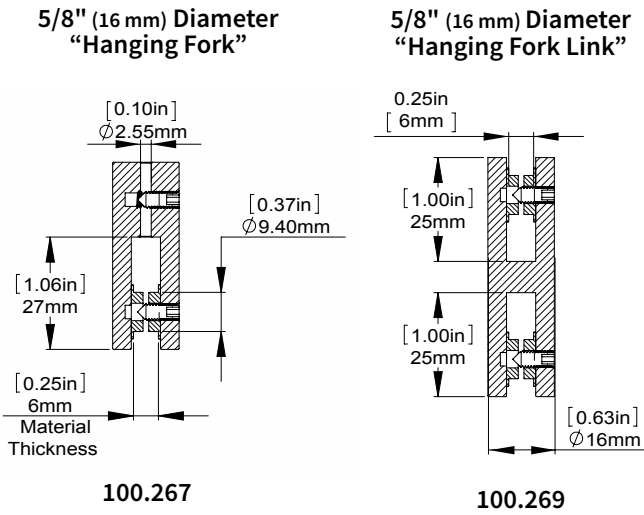
Stainless Steel Suspended System

Ceiling & Material Mounts



Finish	Diameter	Mounting Diameter	Cable Diameter	Thickness of Material Accepted	Item #
			1/16" (1.50 mm)	N/A	100.268
Satin Brushed	5/8" (16 mm)	3/8" (9.40 mm)	to 1/8" (2 mm)	1/4" (6 mm)	100.267
			3/8" (10 mm)		100.207
			N/A	1/4" (6 mm)	100.269

See Screw and Anchor page 79



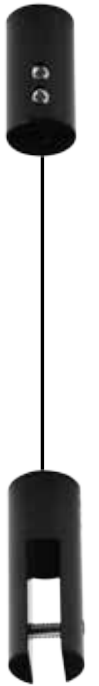
Aluminum Suspended System

Ceiling Mounts

Mounting Diameter	Cable Diameter	Clear Anodized	Shiny Anodized	Black Anodized	Gold Anodized
5/8" (16 mm)	1/16" (1.5 mm)	100.268A	100.268AS	100.268B	100.268G

Material Mounts

Diameter	Mounting Diameter	Cable Diameter	Thickness Accepted	Clear Anodized	Shiny Anodized	Black Anodized	Gold Anodized
5/8" (16 mm)	3/16" (4.5 mm)	1/16" (1.5 mm)	1/4" (6.50 mm)	100.267A	100.267AS	100.267B	100.267G
			5/16" (9.70 mm)	100.287A	100.287AS	100.287B	100.287G



Cable

Stainless Steel Cable	Item #
Stainless Steel Cable Diameter: 1/16" (2 mm) Length 9' (3 m) Maximum weight supported: 55 lbs (25 kg)	100.383
Stainless Steel Cable Diameter: 1/16" (2 mm) Length 16' (5 m) Maximum weight supported: 55 lbs (25 kg)	100.385



Accessories

Finish	Item #
Steel Painted White	Tclamp
	Tclamp1
Clear Acrylic	Tclamp2

Use Tclamp to attach to drop ceiling. Then flip hanging fork upside down to attach to clamp.



Item #: CABLECUTTER



Suspended Cable Kit

For Signage, Display, etc...

Suspended Kits

Kit Includes: 2 ceiling mounts, 2 x 2' cable and 2 forks

Use for drywall: screw 2208 and anchor ANC5, ANC5Z

Use for concrete: screw 2208 and anchor ANC1

Thickness of material accepted: 1/4" (7 mm)

Suspended Cable Kit	Item #
Aluminum Anodized Finish Suspended Kit (2 Pieces) Hang to 1/4" Material	SUSKIT2A
Aluminum Matte Black Finish Suspended Kit (2 Pieces) Hang to 1/4" Material	SUSKIT2MB
Brass Polished Finish Suspended Kit (2 Pieces) Hang to 1/4" Material	SUSKIT1



Aluminum Suspended Kit

Kit Includes: 1 ceiling mount, 6'6" cable and 1 forks

Use for drywall: Screw 2216 and anchor ANC6, ANC6Z

Use for concrete: included



Description	Item #
1 Ceiling Suspended Cable Kit Heavy Duty - Clear Anodized Aluminum - Thick 1/8" to 5/16" Cable: 1/16" x 6'6"	ACG1902HD

SUSKIT1 Automatic cable Mechanism



Description	Item #
1 Ceiling Suspended Cable Kit Heavy Duty - Clear Anodized Aluminum - Thick 1/8" to 1/2" Cable: 1/8" x 6'6"	ACG31902



Suspended Cable Kit

Single Suspended - For Signage, Display, etc...

Aluminum

Panel thickness: minimum 1/8" (3 mm), maximum 5/16" (8 mm)

Aluminum suspended kit includes:

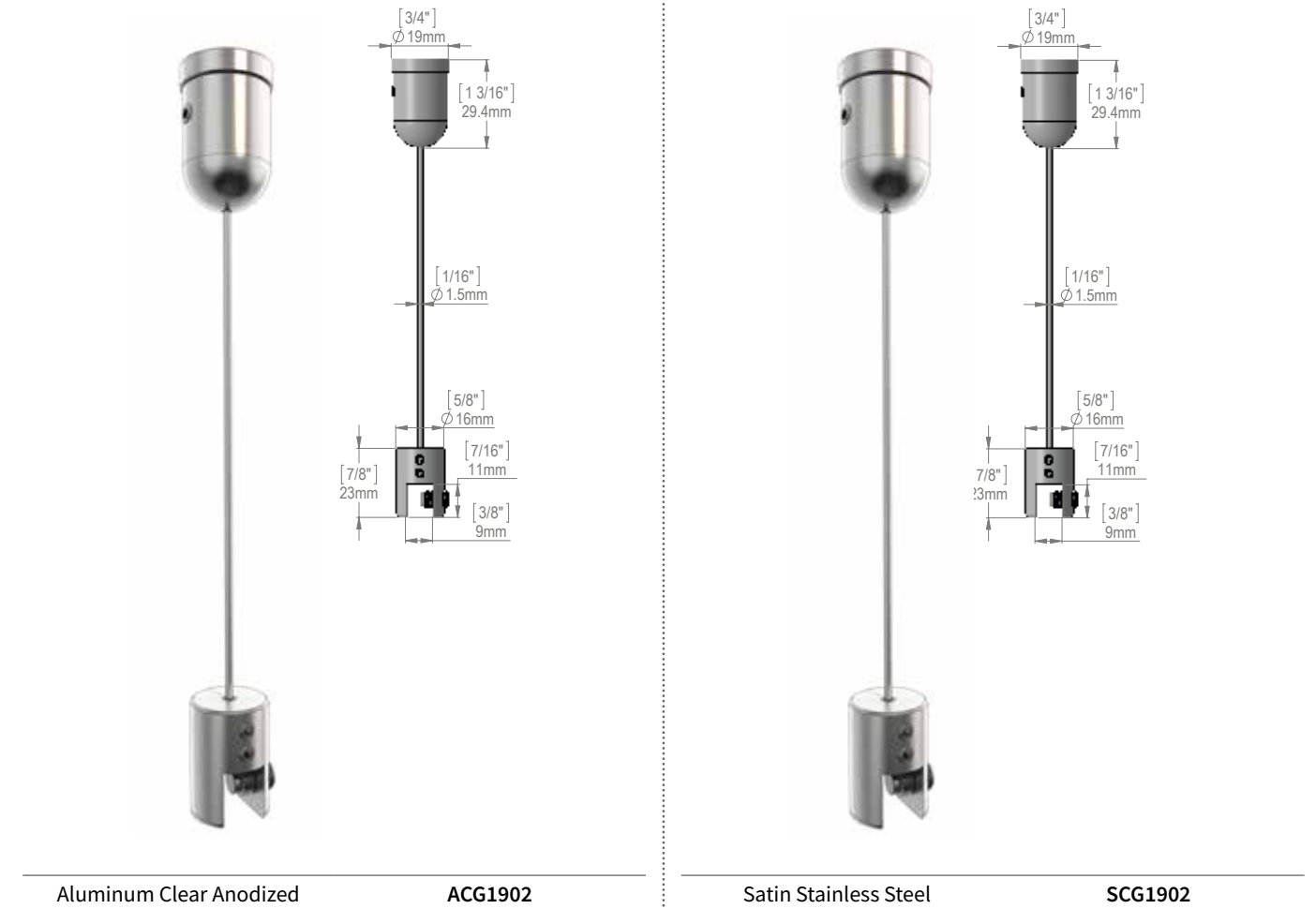
- 1 ceiling mount
- 1 cable long 6'6", diameter 1/16" (1.50 mm)
- 1 panel mounted holder
- Mounting hardware included

Stainless Steel

Panel thickness: minimum 1/8" (3 mm), maximum 5/16" (8 mm)

Stainless steel suspended kit includes:

- 1 ceiling mount
- 1 cable long 6'6", diameter 1/16" (1.50 mm)
- 1 panel mounted holder
- Mounting hardware not included



GET ALL PRICES THROUGH OUR NEW ONLINE STORE!

1 LOG ON to www.mbs-standoffs.com
You can select the product you are looking for by hovering over "Products", then selecting the appropriate category.

2 Search using filter selection and find the right product!



3 Use all product tabs to find:

- Description
- Pictures
- Datasheets
- Videos

4 Shipping calculation and payment completed in **3 easy steps!**

FOLLOW US ON YOUTUBE!

- Product Videos
- Instruction Guides
- Testimonials
- Ideas and more...

COME TO MBS STANDOFFS – THE GO-TO PLACE FOR ALL YOUR PROMOTIONAL SIGN AND DISPLAY REQUIREMENTS

YouTube

WWW.MBS-STANDOFFS.COM

Suspended Rod Kits

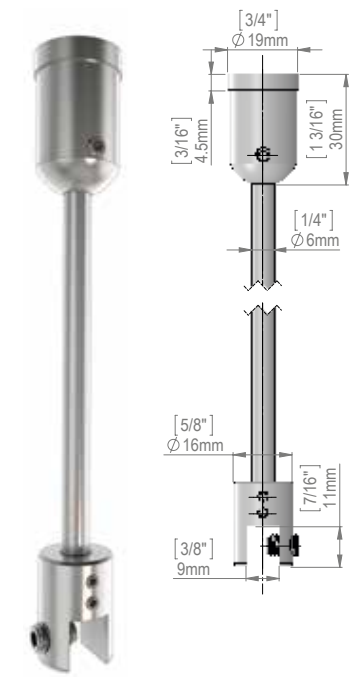
For Signage, Display, etc...

Aluminum

Panel thickness: minimum 1/8" (3 mm), maximum 5/16" (8 mm)

Aluminum suspended kit includes:

- 1 ceiling mount, 1 aluminum rod diameter: 1/4" (6 mm)
- 1 panel mounted holder
- ARG1902-1 L: 3' (0.91 m)
- ARG1902-2 L: 4'11" (1.5 m)
- ARG1902-3 L: 6'6" (2 m)
- ARG1902-4 L: 8'2" (2.5 m)
- Mounting hardware included



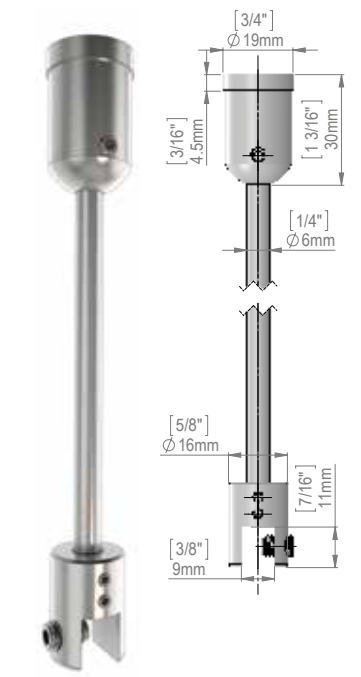
Aluminum Clear Anodized ARG1902-**

Stainless Steel

Panel thickness: minimum 1/8" (3 mm), maximum 5/16" (8 mm)

Stainless steel suspended kit includes:

- 1 ceiling mount, 1 SS rod diameter: 1/4" (6 mm)
- 1 panel mounted holder
- SRG1902-1 L: 3' (0.91 m)
- SRG1902-2 L: 4'11" (1.5 m)
- SRG1902-3 L: 6'6" (2 m)
- SRG1902-4 L: 8'2" (2.5 m)
- Mounting hardware not included

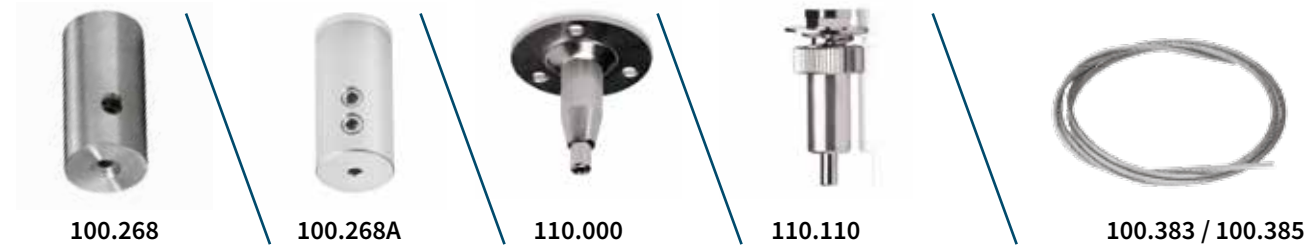


Satin Stainless Steel SRG1902-**



Cable & Rod Banner Hanger

Ceiling Mounts



Finish	Description	Diameter	Cable Diameter	Item #
Satin Brushed	Tightening Per Screw	5/8" (16 mm)		100.268
Clear Anodized				100.268A
Nickel	Self-Gripping		1/8" (2 mm)	110.000
Nickel	Self-Gripping for Aluminum Profile			110.110
Stainless Steel Cable Diameter: 1/16" (2 mm) Length 9' (3 m) Maximum weight supported: 55 lbs (25 kg)				100.383
Stainless Steel Cable Diameter: 1/16" (2 mm) Length 16'4" (5 m) Maximum weight supported: 55 lbs (25 kg)				100.385

Banner Mounts



Description	Diameter	Cable Diameter	Aluminum			Stainless Steel
			Clear Anodized	Black Anodized	Titanium Anodized	Satin Brushed
Rod Cable/Rod Connector	5/8" (16 mm)	1/16" (1.5 mm)	SR063A	-	-	SR063
	1/4" (6 mm)		-	SR063B	SR063T	-
36" Rod Threaded Each end	1/4" (6 mm)	1/16" (1.5 mm)	ROD3A	ROD3B	ROD3T	-








Rod Banner Hanger

For Signage, Display, Poster, Graphic, etc...

- Easy to use design for quick installation every time
- Contemporary styling
- A variety of applications



Description	Diameter	Aluminum Clear Anodized	Stainless Steel Satin Brushed
 Rod Ceiling Mount	5/8" (15 mm)	-	100.363-SR
 Wall Mount	11/16" (17 mm)	ASA1724	SSA1724
 Rod	1/4" (6 mm)	ROD3A	ROD3
 Junction Part	7/8"	SA1600A	SA1600
 36" Pipe	5/8"	PIPE-16A	-



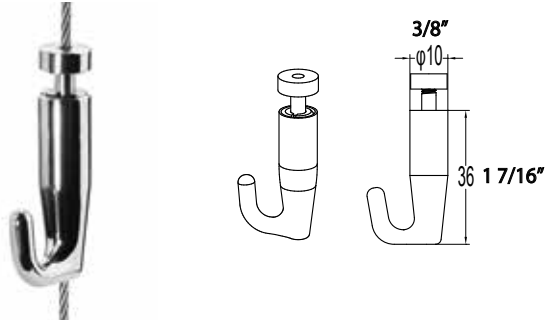
Hooks for Stainless Steel and Nylon Cable

Brass

Self-Gripping

Finish: Nickel plating
 For use with: Ball End, Cobra Cable, "P" Hook Cable
 For cable diameter: 3/64" (1.2 mm) to 1/16" (1.5 mm)
 Rated strength: 15 lbs (6 kg)
 For: Classic Rail, Ceiling Rail, Easy Rail

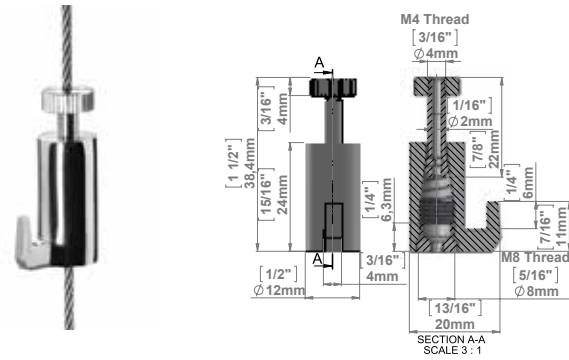
Nickel Plating	H104-NK
----------------	---------



Self-Gripping

Finish: Nickel plating
 For use with: Ball End, Cobra Cable, "P" Hook Cable
 For cable diameter: 3/64" (1.2 mm) to 1/16" (1.5 mm)
 Rated strength: 15 lbs (6 kg)
 For: Classic Rail, Ceiling Rail, Easy Rail

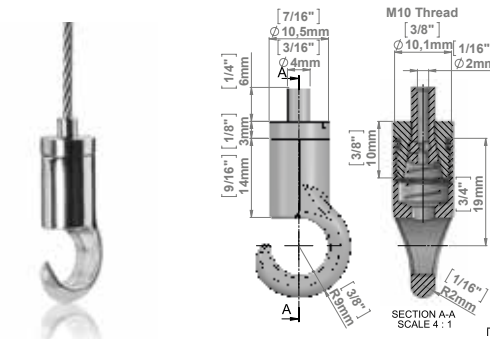
Nickel Plating	H105-NK
----------------	---------



Self-Gripping

Finish: Nickel plating
 For use with: Ball End, Cobra Cable, "P" Hook Cable
 For cable diameter: 3/64" (1.2 mm) to 1/16" (1.5 mm)
 Rated strength: 15 lbs (6 kg)
 For: Classic Rail, Ceiling Rail, Easy Rail

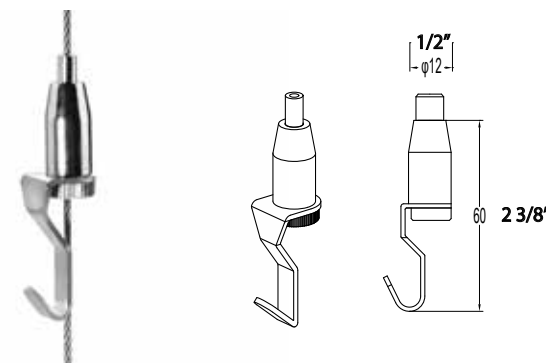
Nickel Plating	H103-NK
----------------	---------



Self-Gripping

Finish: Nickel plating
 For use with: Ball End, Cobra Cable, "P" Hook Cable
 For cable diameter: 3/64" (1.2 mm) to 1/16" (1.5 mm)
 Rated strength: 15 lbs (6 kg)
 For: Classic Rail, Ceiling Rail, Easy Rail

Nickel Plating	SGH100
----------------	--------



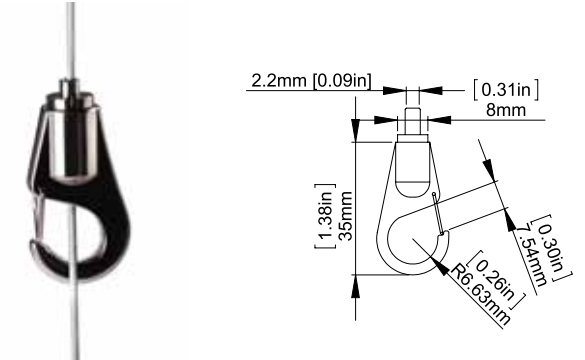
Hooks for Stainless Steel and Nylon Cable

Brass

Self-Gripping

Finish: Nickel plating
 For use with: Ball End, Cobra Cable, "P" Hook Cable
 For cable diameter: 3/64" (1.2 mm) to 1/16" (1.5 mm)
 Rated strength: 15 lbs (6 kg)
 For: Classic Rail, Ceiling Rail, Easy Rail

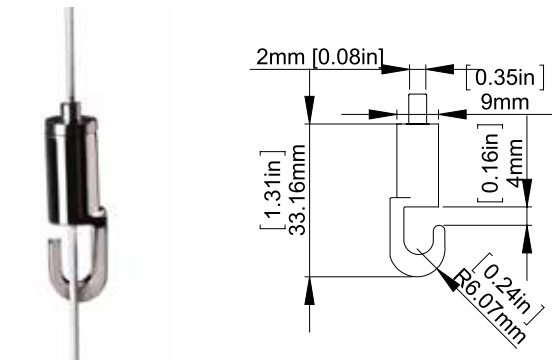
Nickel Plating	GH0012
----------------	--------



Self-Gripping

Finish: Nickel plating
 For use with: Ball End, Cobra Cable, "P" Hook Cable
 For cable diameter: 3/64" (1.2 mm) to 1/16" (1.5 mm)
 Rated strength: 15 lbs (6 kg)
 For: Classic Rail, Ceiling Rail, Easy Rail

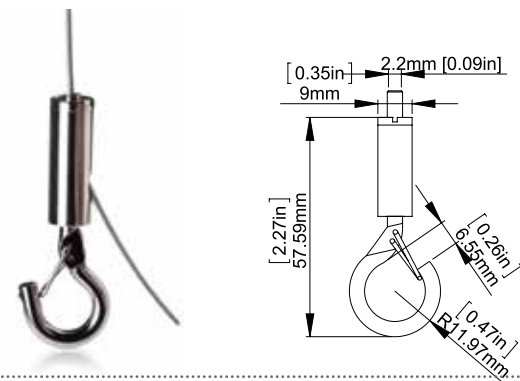
Nickel Plating	GH0013
----------------	--------



Self-Gripping

Finish: Nickel plating
 For use with: Ball End, Cobra Cable, "P" Hook Cable
 For cable diameter: 3/64" (1.2 mm) to 1/16" (1.5 mm)
 Rated strength: 15 lbs (6 kg)
 For: Classic Rail, Ceiling Rail, Easy Rail

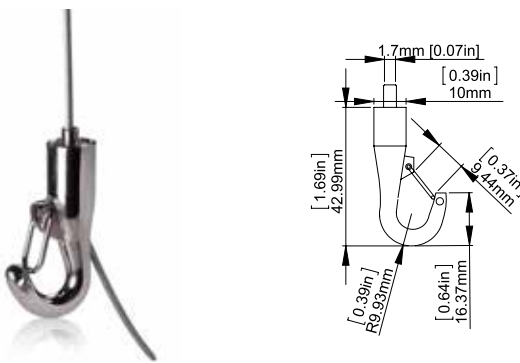
Nickel Plating	GH0014
----------------	--------



Self-Gripping

Finish: Nickel plating
 For use with: Ball End, Cobra Cable, "P" Hook Cable
 For cable diameter: 1/16" (1.5 mm)
 Rated strength: 15 lbs (6 kg)
 For: Classic Rail, Ceiling Rail, Easy Rail

Nickel Plating	GH0015
----------------	--------



NEW IN 2018

Z-CLIP SAMPLE BOX WITH INSTRUCTION GUIDE



Description	Item #
ZCP Sample Box with 2 Pieces of ZCP1, ZCP2, ZCP3; Instruction Guide and Description	ZCPsampleBox

FLUSH HANGER



Description	Item #
Small Flush Mount Hanger Zinc Finish	FMH1Z
Big Flush Mount Hanger Zinc Finish	FMH2Z



Z-CLIP RAILS

DON'T MISS OUR YOUTUBE VIDEO

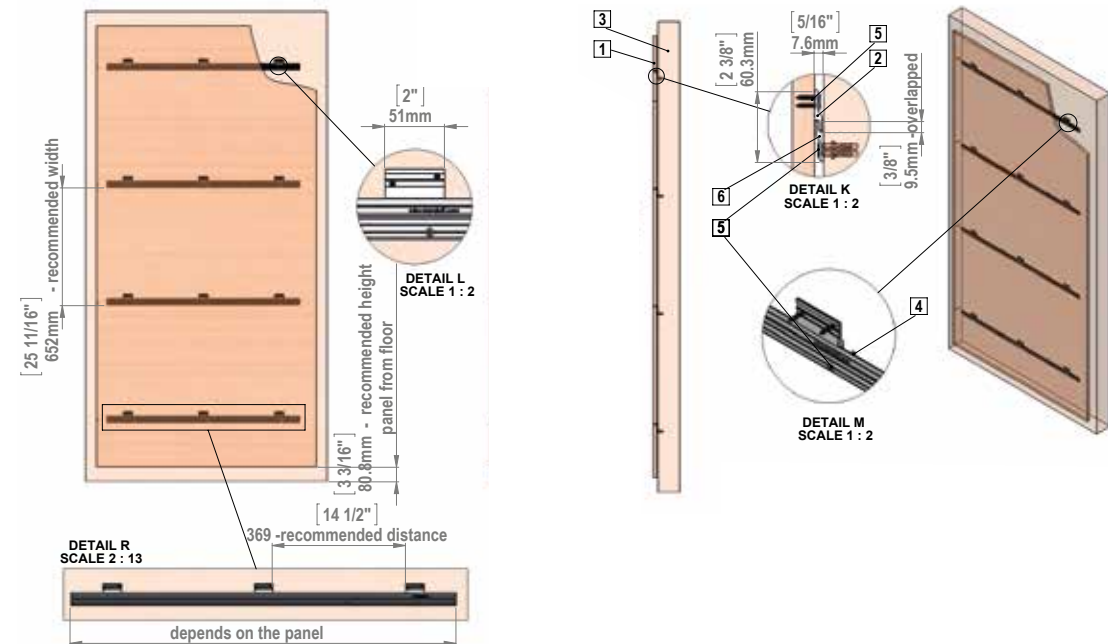
Mbs Standoffs "ZCP1" Clip

The easiest way to hang



Z-Clip Panel Mount

The Z-CLIP system is a fast, easy, and a cost effective method to lock in place any kind of wall panel. Which includes acoustical panels, partitions, cabinets, signage, artwork, etc. The “Z” shaped clips wedge together locking panels in place which allows for costs to be cut by 50% as well as installation time. The Z-CLIP system provides ample access to easy mounting and removal of panels for any changes or replacements. Z-Clips are discreet and allow for a pre-finished look without the time consuming face nailing and costly on-the-job finishing.



For more information and instruction guides, go to: mbs-standoffs.com/z-clip-panel.html



Z-Clip Panel Mount

Ideal for hanging wall panels, partitions, and signs – All pre drilled for easy installation

Medium to Heavy duty application

Width	Item #
2" (51 mm)	ZCP1
36" (914 mm)	ZCP1-3
72" (1829 mm)	ZCP1-6

Lift 3/8"

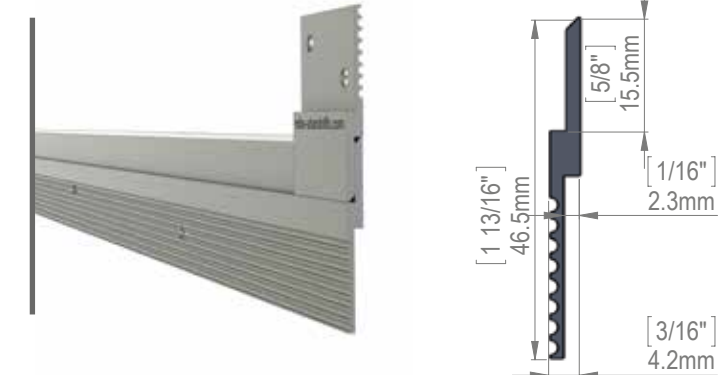


Scale: 1/1

Light to Medium duty application

Width	Item #
1 1/2" (51 mm)	ZCP2
36" (914 mm)	ZCP2-3
72" (1829 mm)	ZCP2-6

Lift 5/8"

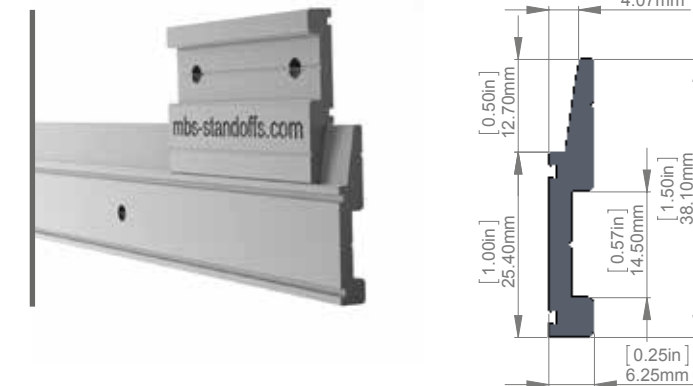


Scale: 1/1

Medium to Heavy duty application

Width	Item #
2 1/2" (63 mm)	ZCP3
36" (914 mm)	ZCP3-3
72" (1829 mm)	ZCP3-6

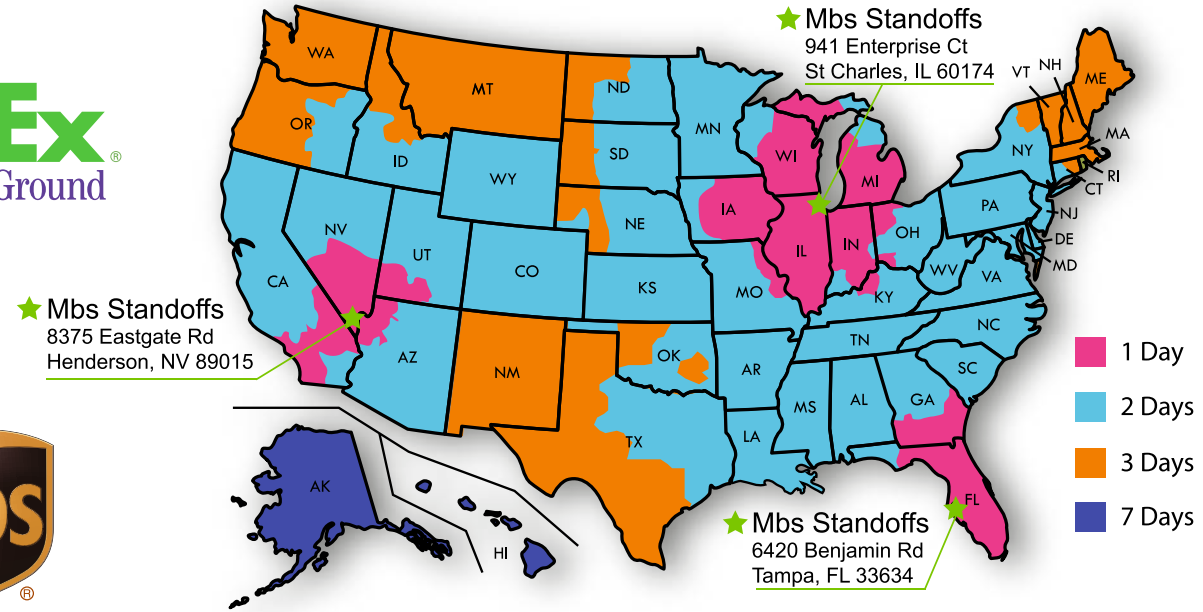
Lift 1/2"



Scale: 1/1



99.99% OF ORDERS SHIP SAME DAY!



Free Daily pickup and 1 or 2 days ground shipping to most of the States

Daily Pick-ups

We have a daily pick-up, so that all of our customers can take advantage of same day shipping.

Blind Shipping & Drop Shipping Available Upon Request (Fees may apply)

Don't forget we can always ship on your account.

If you are local, you can pick up your order within 30 minutes of placing your order.



Monday–Thursday up to 6:30pm,
Friday up to 5:30pm



Monday–Thursday up to: 6:30pm,
Friday up to 5:30pm

Shipping to Canada with Fedex, UPS & USPS, and anywhere in the world with DHL



CABLE / ROD SYSTEMS

- 1/16" Diameter Cable Kits p98
- 1/8" Diameter Multi Function Cable Kits p100
- 1/4" - 3/8" Rod Kits p106
- Panel Grips p110
- Shelf Supports p114
- Acrylic Sign Holders p116
- LED Poster Holder p120
- 1/4" Rod Sign Holder p122
- 1/4" Rod Accessories p124
- Aluminum Track and Accessories p125
- Magnetic Pot p127



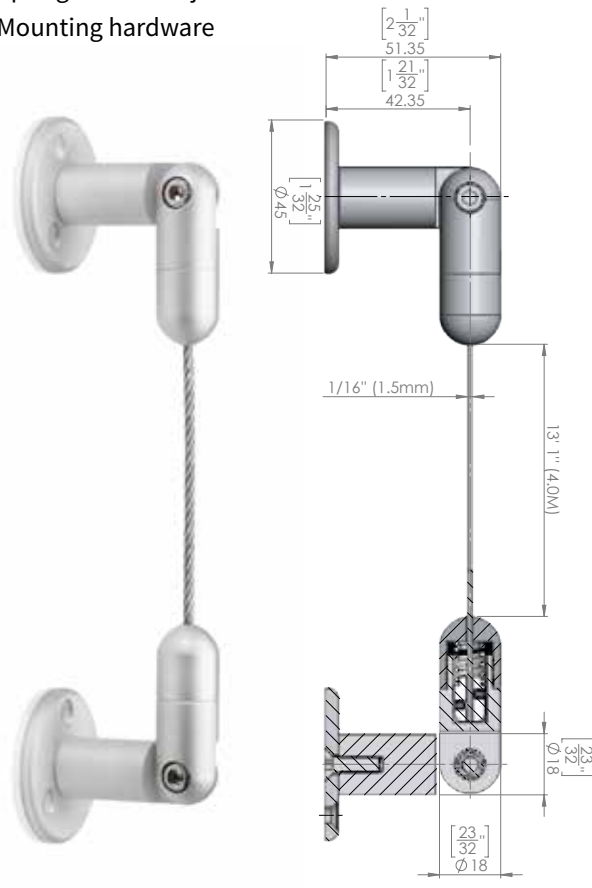
1/16" Diameter Multi Function Cable Kits

Wall to Wall, Ceiling to Floor, Wall to Floor, Wall to Ceiling

Aluminum

Aluminum mounted kit includes:

- 2 adjustable mounts
- 1 cable 13'1" long, diameter 1/16" (1.50 mm) made from galvanized steel
- Spring tension adjuster
- Mounting hardware

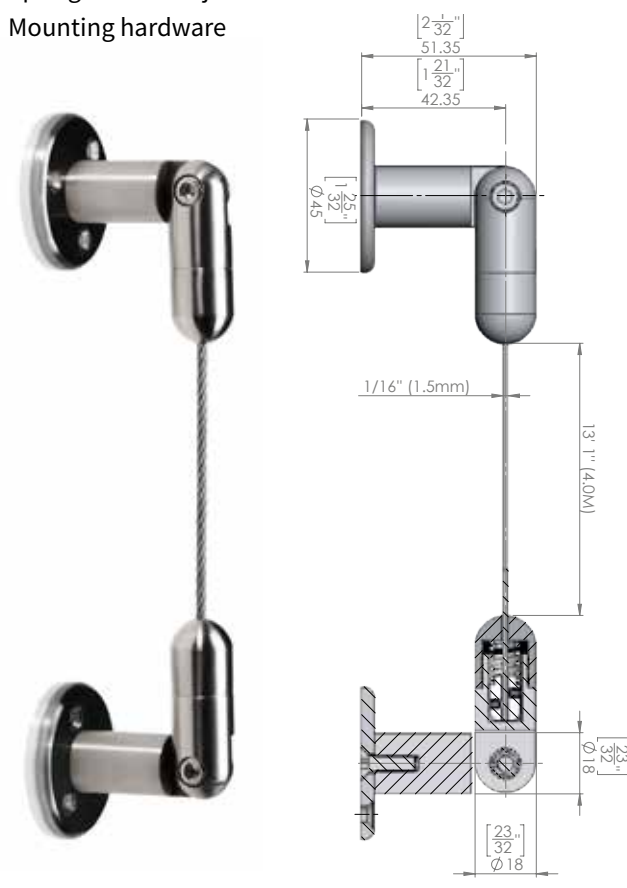


Aluminum Clear Anodized CS15A

Stainless Steel

Stainless steel mounted kit includes:

- 2 adjustable mounts
- 1 cable 13'1" long, diameter 1/16" (1.50 mm) made from galvanized steel
- Spring tension adjuster
- Mounting hardware



Satin Stainless Steel CS15SS

ADJUSTABLE ANGLE UP TO 90°



1/16" Diameter Ceiling to Floor Mounted Cable Kits

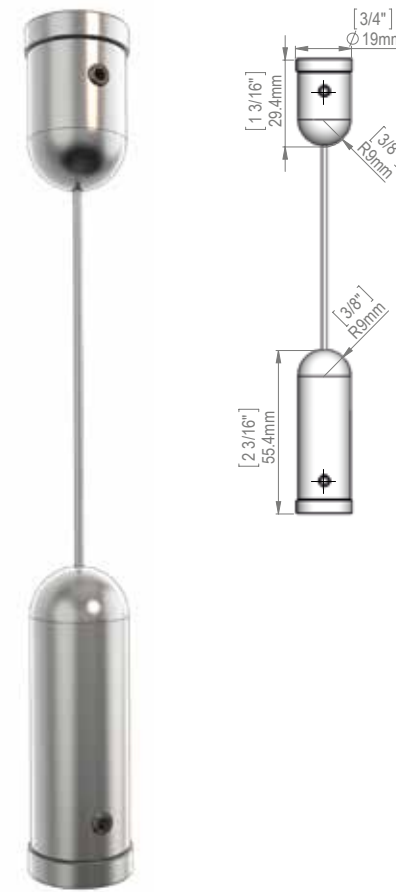
For Signage, Display, Poster, Graphic, etc...

In this Section, each of our cable kits; (Aluminum or stainless steel); come with a 1/16" (approximately 1.5 mm) galvanized stainless steel cable. All of our stainless steel cables are composed of 7 strands and each strand consists of 7 wires which in turn gives a total of 49 wires twisted together. Our 1/16" diameter cables have a load capacity of 55 lbs (Approximately 115 kg). Each system kit (ceiling to floor, ceiling/floor to wall, wall to wall, and multi-function) come with a specific cable length but additional cable can be supplied upon request. All of our cable systems must be anchored into a solid material. Most of our cable kits can also be used with our track systems excluding only the multi-function kits. Additional cable diameters are available on pg. 100.

Aluminum

Aluminum ceiling to floor mounted kit includes:

- 1 ceiling mount
- 1 cable 13'1" long, diameter 1/16" (1.50 mm) made from galvanized steel
- 1 tension adjuster
- Mounting hardware included

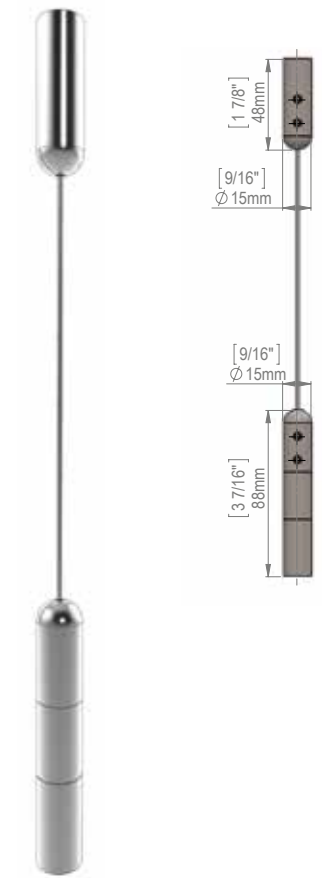


Aluminum Clear Anodized ACG1904

Stainless Steel

Stainless steel ceiling to floor mounted kit includes:

- 1 ceiling mount
- 1 cable 16'4" long, diameter 1/16" (1.50 mm) made from galvanized steel
- 1 tension adjuster
- Mounting hardware not included



Stainless Steel SCG1904



1/16" Diameter Ceiling to Wall / Wall to floor Mounted Cable Kits

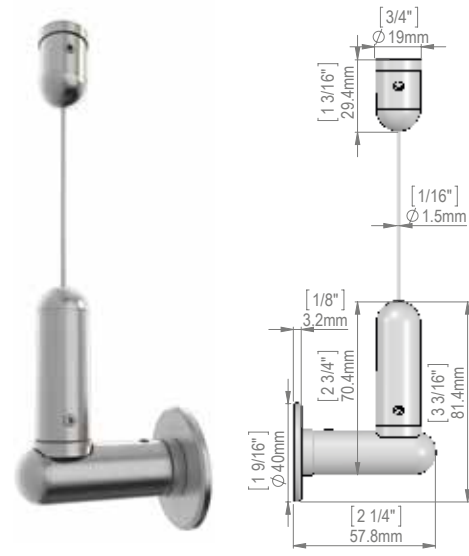
For Signage, Display, Poster, Graphic, etc...



Aluminum

Aluminum mounted kit includes:

- 1 mount
- 1 cable 13'1" long, diameter 1/16" (1.50 mm) made from galvanized steel
- 1 tension adjuster, 1 horizontal arm,
- 1 washer stabilizer
- Mounting hardware included



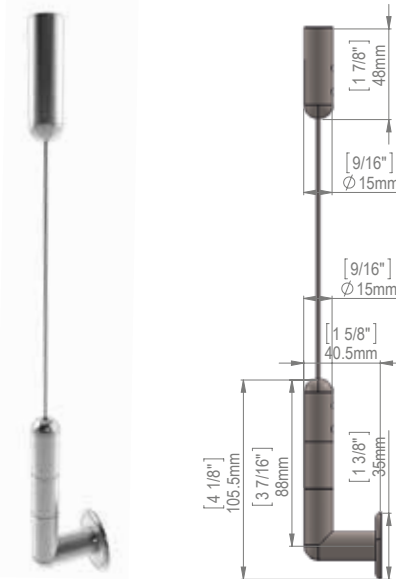
Aluminum Clear Anodized

ACG1907

Stainless Steel

Stainless steel mounted kit includes:

- 1 mount
- 1 cable 16'4" long, diameter 1/16" (1.50 mm) made from stainless steel
- 1 tension adjuster, 1 horizontal arm,
- 1 washer stabilizer
- Mounting hardware not included



Satin Stainless Steel

SCG1907



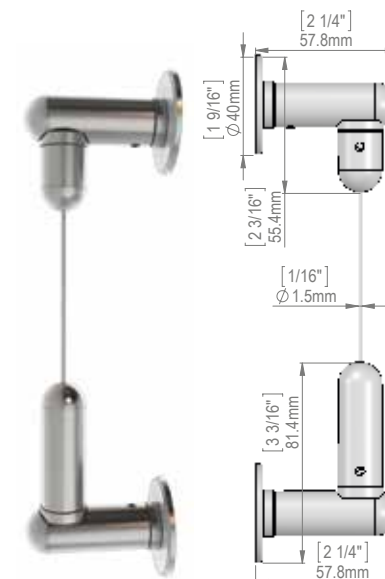
1/16" Diameter Wall to Wall Mounted Cable Kits

For Signage, Display, Poster, Graphic, etc...

Aluminum

Aluminum mounted kit includes:

- 2 mounts
- 1 cable 13'1" long, diameter 1/16" (1.50 mm) made from galvanized steel
- 1 tension adjuster, 1 horizontal arm
- 2 washer stabilizer
- Mounting hardware included



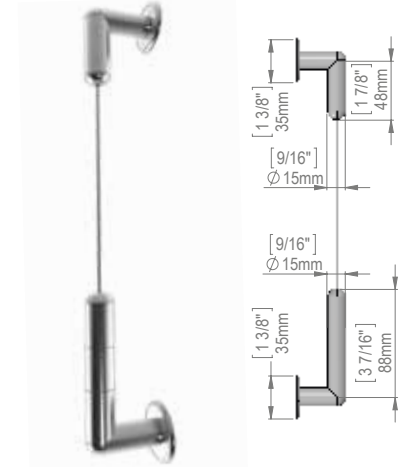
Aluminum Clear Anodized

ACG1908

Stainless Steel

Stainless steel mounted kit includes:

- 2 mounts
- 1 cable 16'4" long, diameter 1/16" (1.50 mm) made from galvanized steel
- 1 tension adjuster, 1 horizontal arm
- 2 washer stabilizer
- Mounting hardware not included



Satin Stainless Steel

SCG1908



Signature Cable Systems

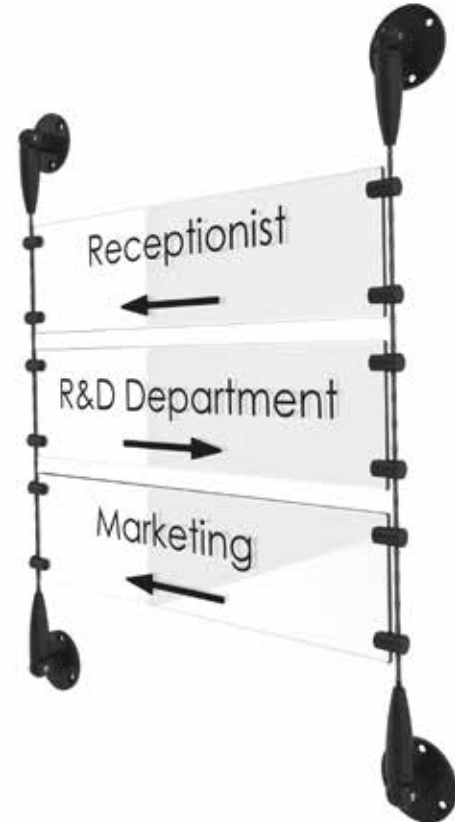
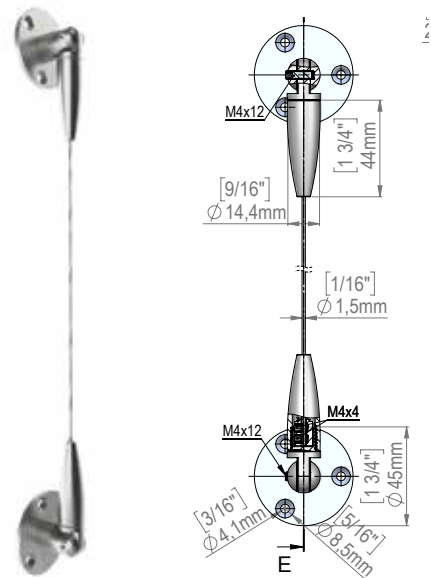
1/16" Diameter Mounted Cable Kits

For Signage, Display, Poster, Graphic, etc...

Aluminum Clear Anodized / Matte Black

Aluminum mounted kit includes:

- 2 Arms
- 1 cable 13'1" long, diameter 1/16" (1.50 mm) made from galvanized steel
- 1 tension adjuster in 1 Arm,
- 2 washer stabilizer
- Mounting hardware included



Aluminum Clear Anodized

SCS15A

Aluminum Matte Black

SCS15MB



Signature Cable Systems

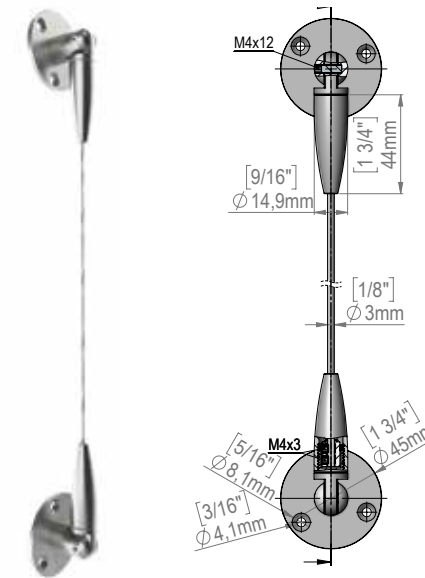
1/8" Diameter Mounted Cable Kits

For Signage, Display, Poster, Graphic, etc...

Aluminum Clear Anodized / Matte Black

Aluminum mounted kit includes:

- 2 Arms
- 1 cable 13'1" long, diameter 1/8" (.00 mm) made from galvanized steel
- 1 tension adjuster in 1 Arm,
- 2 washer stabilizer
- Mounting hardware included



Aluminum Clear Anodized

SCS3A

Aluminum Matte Black

SCS3MB



1/8" Diameter Multi Function Cable Kits

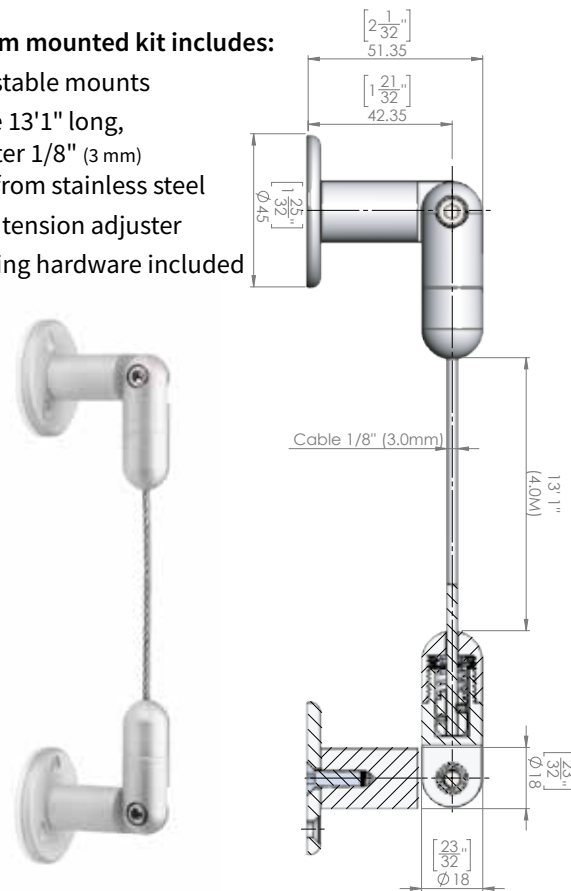
Wall to Wall, Ceiling to Floor, Wall to Floor, Wall to Ceiling

In this Section, each of our cable kits; (Aluminum or stainless steel); come with a 1/8" (approximately 3 mm) galvanized stainless steel cable. All of our stainless steel cables are composed of 7 strands and each strand consists of 7 wires which in turn gives a total of 49 wires twisted together. Our 1/8" diameter cables have a load capacity of 78 lbs (Approximately 230 kg). Each system kit (ceiling to floor, ceiling/floor to wall, wall to wall, and multi-function) come with a specific cable length but additional cable can be supplied upon request. All of our cable systems must be anchored into a solid material. Most of our cable kits can also be used with our track systems excluding only the multi-function kits. Additional cable diameters are available on pg. 97

Aluminum

Aluminum mounted kit includes:

- 2 adjustable mounts
- 1 cable 13'1" long, diameter 1/8" (3 mm) made from stainless steel
- Spring tension adjuster
- Mounting hardware included



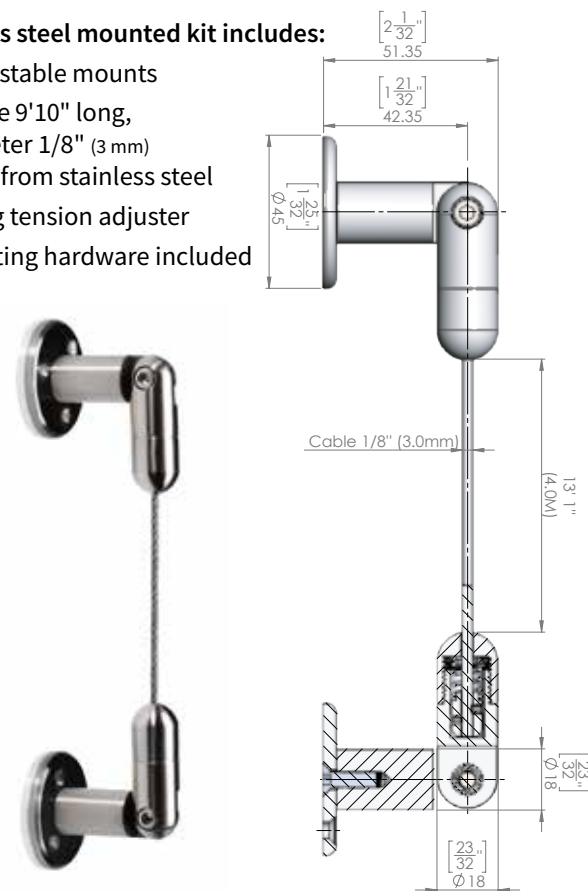
Aluminum Clear Anodized

CS3A

Stainless Steel

Stainless steel mounted kit includes:

- 2 adjustable mounts
- 1 cable 9'10" long, diameter 1/8" (3 mm) made from stainless steel
- Spring tension adjuster
- Mounting hardware included



Satin Stainless Steel

CS3SS

ADJUSTABLE ANGLE UP TO 90°



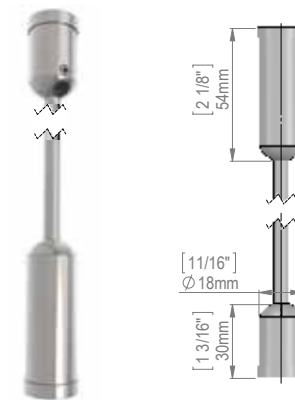
1/4" Ceiling to Floor Mounted Rod Kits

For Signage, Display, Poster, Graphic, etc...

Aluminum

Aluminum mounted kit includes:

- 1 ceiling mount
- 1 rod
- 1 tension adjuster
- ARG1904-1 set with rod length L: 3'3" (1 m)
- ARG1904-2 set with rod length L: 4'11" (1.5 m)
- ARG1904-3 set with rod length L: 6'6" (2 m)
- ARG1904-4 set with rod length L: 8'2" (2.5 m)
- Mounting hardware included



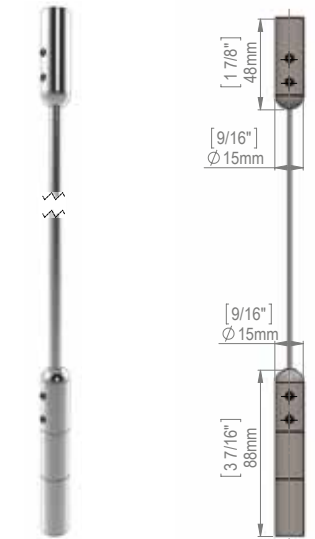
Aluminum Clear Anodized

ARG1904-**

Stainless Steel

Stainless steel mounted kit includes:

- 1 ceiling mount
- 1 rod
- 1 tension adjuster
- SRG1904-1 set with rod length L: 3'3" (1 m)
- SRG1904-2 set with rod length L: 4'11" (1.5 m)
- SRG1904-3 set with rod length L: 6'6" (2 m)
- SRG1904-4 set with rod length L: 8'2" (2.5 m)
- Mounting hardware not included



Stainless Steel Satin Finish

SRG1904-**



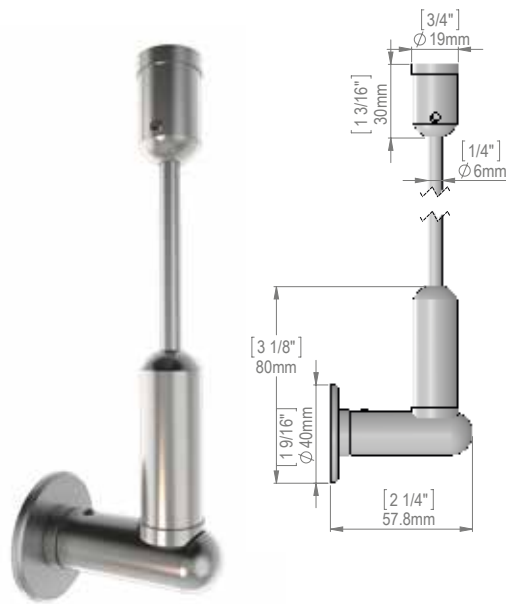
1/4" Ceiling to Wall / Wall to Floor Mounted Rod Kits

For Signage, Display, Poster, Graphic, etc...

Aluminum

Aluminum mounted kit includes:

- 1 mount
- 1 rod
- 1 tension adjuster, 1 horizontal arm
- 1 washer stabilizer
- ARG1905-1 set with rod length L: 3' (0.91 m)
- ARG1905-2 set with rod length L: 4'11" (1.5 m)
- ARG1905-3 set with rod length L: 6'6" (2 m)
- ARG1905-4 set with rod length L: 8'2" (2.5 m)
- Mounting hardware included



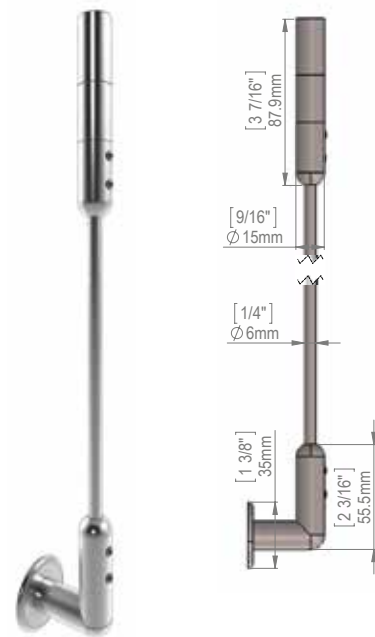
Aluminum Clear Anodized

ARG1905-1**

Stainless Steel

Stainless steel mounted kit includes:

- 1 mount
- 1 rod
- 1 tension adjuster, 1 horizontal arm
- 1 washer stabilizer
- SRG1905-1 set with rod length L: 3' (0.91 m)
- SRG1905-2 set with rod length L: 4'11" (1.5 m)
- SRG1905-3 set with rod length L: 6'6" (2 m)
- SRG1905-4 set with rod length L: 8'2" (2.5 m)
- Mounting hardware not included



Stainless Steel Satin Finish

SRG1905-1**



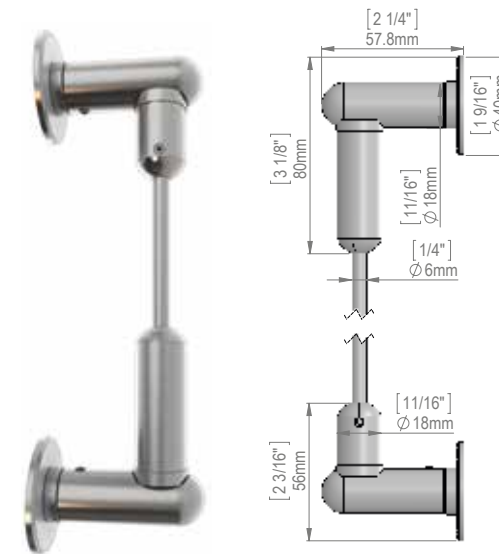
1/4" Wall to Wall Mounted Rod Kits

For Signage, Display, Poster, Graphic, etc...

Aluminum

Aluminum mounted kit includes:

- 2 washer stabilizers, 2 horizontal arms, 2 ceiling mounts
- 1 rod
- 1 tension adjuster
- ARG1907-1 set with rod length L: 3' (0.91 m)
- ARG1907-2 set with rod length L: 4'11" (1.5 m)
- ARG1907-3 set with rod length L: 6'6" (2 m)
- ARG1907-4 set with rod length L: 8'2" (2.5 m)
- Mounting hardware included



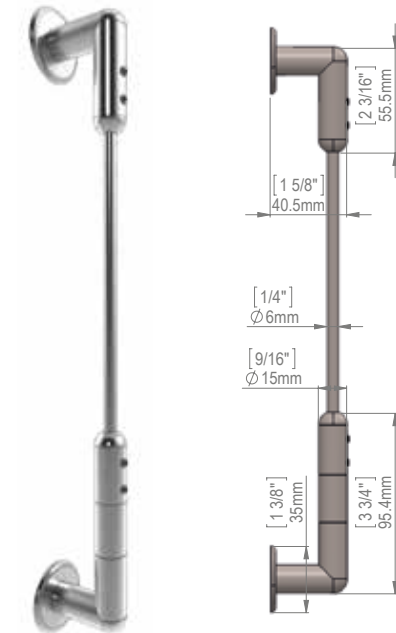
Aluminum Clear Anodized

ARG1907-1**

Stainless Steel

Stainless steel mounted kit includes:

- 2 washer stabilizers, 2 horizontal arms, 2 ceiling mounts
- 1 rod
- 1 tension adjuster
- SRG1907-1 set with rod length L: 3' (0.91 m)
- SRG1907-2 set with rod length L: 4'11" (1.5 m)
- SRG1907-3 set with rod length L: 6'6" (2 m)
- SRG1907-4 set with rod length L: 8'2" (2.5 m)
- Mounting hardware not included



Stainless Steel Satin Finish

SRG1907-1**



3/8" Ceiling to Floor/ Wall to Ceiling Mounted Rod Kits

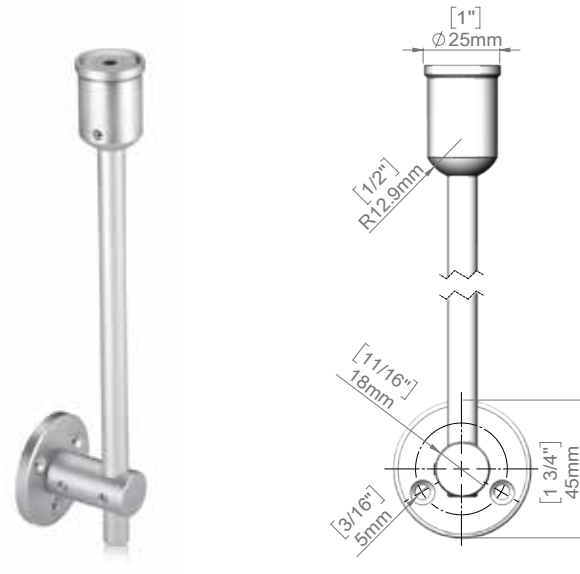
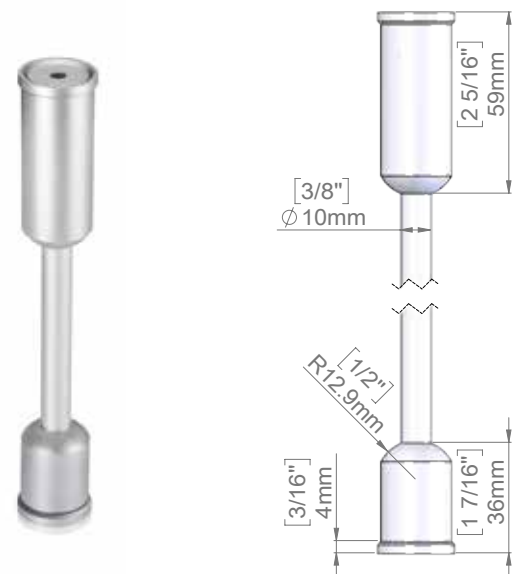
For Signage, Display, Poster, Graphic, etc...

Aluminum Clear Anodized or Matte Black

Aluminum mounted kit includes:

- 1 mount
- 1 rod
- 1 tension adjuster, 1 horizontal arm
- ARG3904-1 set with rod length L: 3' (0.91 m)
- ARG3904-2 set with rod length L: 6' (1.82 m)
- ARG3904-3 set with rod length L: 9' (2.73 m)
- ARG3904-4 set with rod length L: 12' (3.64 m)
- Mounting hardware included

- Aluminum mounted kit includes
- 1 mount
- 1 rod
- 1 tension adjuster, 1 horizontal arm
- 1 washer stabilizer
- ARG3910-1 set with rod length L: 3' (0.91 m)
- ARG3910-2 set with rod length L: 6' (1.82 m)
- ARG3910-3 set with rod length L: 9' (2.73 m)
- ARG3910-4 set with rod length L: 12' (3.64 m)
- Mounting hardware not included



Aluminum Clear Anodized

ARG3904-**

Stainless Steel Satin Finish

SRG3910-**

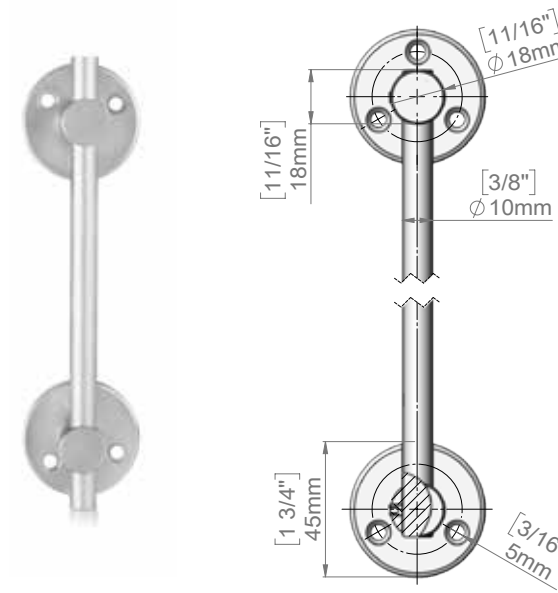


3/8" Wall to Wall Mounted Rod Kits

For Signage, Display, Poster, Graphic, etc...

Aluminum Clear Anodized or Matte Black

- Aluminum mounted kit includes
- 1 mount
- 1 rod
- 1 tension adjuster, 1 horizontal arm
- 2 washers stabilizer
- ARG3910-1 set with rod length L: 3' (0.91 m)
- ARG3910-2 set with rod length L: 6' (1.82 m)
- ARG3910-3 set with rod length L: 9' (2.73 m)
- ARG3910-4 set with rod length L: 12' (3.64 m)
- Mounting hardware not included



Aluminum Clear Anodized

ARG3909-**



RESELLER/DISTRIBUTOR PROGRAM

MBS is always looking for new distributors.

Contact us to get more information on becoming a distributor.

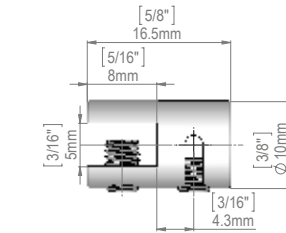
1-813-938-6025 • sales@mbs-standoffs.com



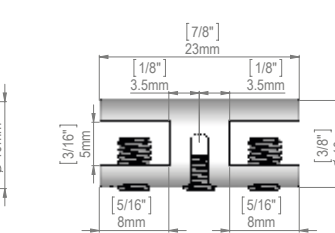
Panel Grips Diameter Cable Kits

	Material Thickness	Gap from Cable	Cable 1/16"		Cable 1/8"		Rod 1/4"		Rod 3/8"		
			Aluminum	Stainless Steel	Aluminum	Stainless Steel	Aluminum	Stainless Steel	Aluminum	Matte Black	
Vertical Support											
	Single Sided	1/16" to 3/16"	1/8"	ACA1016	SCA1016	N/A	N/A	N/A	N/A	ARA3610A	ARA3610MB
	Double Sided	1/16" to 3/16"	1/8" x 2	ACA1023	SCA1023	N/A	N/A	N/A	N/A	ARA3612A	ARA3612MB
	Single Sided	1/8" to 3/8"	3/16"	ACA1610	SCA1610	ACA31610	SCA31610	N/A	N/A	N/A	N/A
	Double Sided	1/8" to 3/8"	3/16"	ACA1612	SCA1612	ACA31612	SCA31612	N/A	N/A	N/A	N/A
Pivoting Support											
	Single Sided	1/8" to 3/8"	1/2"	ACA1620	SCA1620	ACA31620	SCA31620	ARA1620	SRA1620	N/A	N/A
	Double Sided	1/8" to 3/8"	1/2" x 2	ACA1622	SCA1622	ACA31622	SCA31622	ARA1622	SRA1622	N/A	N/A
	Single Sided	1/8" to 1/2"	1/2"	ACA2010	SCA2010	ACA32010	SCA32010	ARA2010	SRA2010	ARA3620A	ARA3620MB
	Double Sided	1/8" to 1/2"	1/2" x 2	ACA2012	SCA2012	ACA32012	SCA32012	N/A	N/A	ARA3622A	ARA3622MB

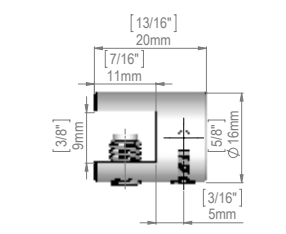
TECHNICAL DETAILS



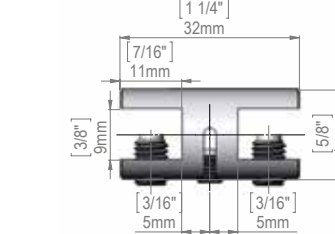
CA1016



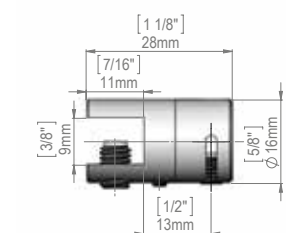
CA1023



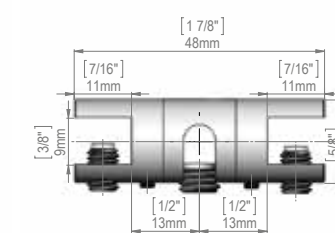
CA1610



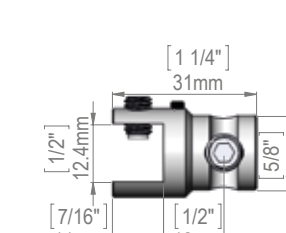
CA1612



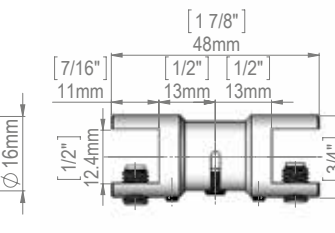
CA1620



RA1622



RA2010



CA2012



BULK QUANTITY? PERSONALIZED DESIGNS? SPECIAL REQUESTS?

Contact us today!

Our Signage Hardware Experts Will be delighted To Assist You!

1-813-938-6025 • sales@mbs-standoffs.com



GET ALL PRICES THROUGH OUR NEW ONLINE STORE!

- LOG ON to www.mbs-standoffs.com
You can select the product you are looking for by hovering over "Products", then selecting the appropriate category.
- Search using filter selection and find the right product!



- Use all product tabs to find:
 - Description
 - Pictures
 - Datasheets
 - Videos
- Shipping calculation and payment completed in **3 easy steps!**

FOLLOW US ON YOUTUBE!

- Product Videos
- Instruction Guides
- Testimonials
- Ideas and more...










COME TO MBS STANDOFFS – THE GO-TO PLACE FOR ALL YOUR PROMOTIONAL SIGN AND DISPLAY REQUIREMENTS

YouTube

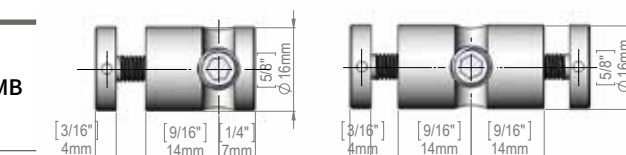
WWW.MBS-STANDOFFS.COM



Panel Grips For Cable & Rod

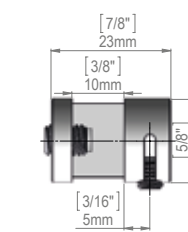
	Material Thickness	Gap from Cable	Hole Material	1/16" Cable		1/8" Cable		1/4" Rod		3/8" Rod		
				Aluminum	Stainless Steel	Aluminum	Stainless Steel	Aluminum	Stainless Steel	Aluminum	Black Matte	
Panel Support												
	Single Sided	1/16" to 5/16"	3/16"	1/4"	ACA1640	SCA1640	ACA31640	SCA31640	ARA1640	SRA1640	ARA3640A	ARA3640MB
	Double Sided	1/16" to 5/16"	3/16"	1/4"	ACA1642	SCA1642	ACA31642	SCA31642	ARA1642	SRA1642	ARA3642A	ARA3642MB
Edge Support												
	Single Sided	1/16" to 3/8"			ACA1630	SCA1630	ACA31630	SCA31630	N/A	N/A	N/A	N/A
Pivoting Edge Support												
	Single Sided	1/16" to 3/8"	1/2"		ACA1631	SCA1631	ACA31631	SCA31631	ARA1631	SRA1631	ARA3631A	ARA3631MB
	Double Sided	1/16" to 3/8"	1/2" x 2		ACA1632	SCA1632	ACA31632	SCA31632	ARA1632	SRA1632	ARA3632A	ARA3632MB
Pivoting Horizontal Support												
	Single Sided	1/16" to 5/16"	3/16"		ACB1610	SCB1610	ACB31610	SCB31610	ARB1610	SRB1610	ARB3610A	ARB3610MB
	Double Sided	1/16" to 5/16"	3/16"		ACB1612	SCB1612	ACB31612	SCB31612	ARB1612	SRB1612	ARB3612A	ARB3612MB

TECHNICAL DETAILS

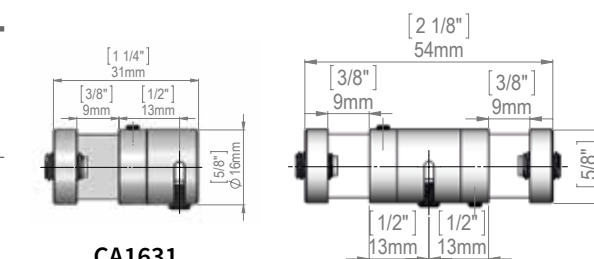


RA1640

RA1642

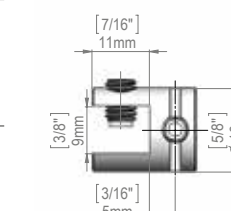


CA1630

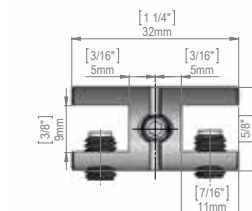


CA1631

CA1632



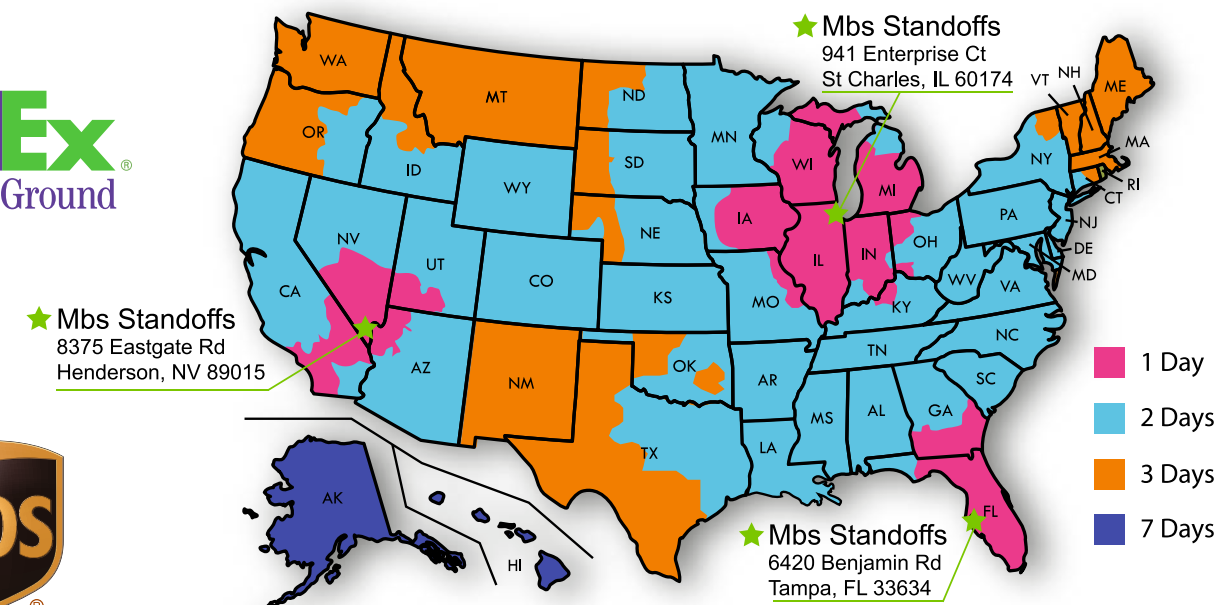
CB1610



CB1612



99.99% OF ORDERS SHIP SAME DAY!



Free Daily pickup and 1 or 2 days ground shipping to most States

Daily Pick-ups

We have a daily pick-up, so that all of our customers can take advantage of same day shipping.

Blind Shipping & Drop Shipping Available Upon Request (Fees may apply)

Don't forget we can always ship on your account.

If you are local, you can pick up your order within 30 minutes of placing your order.



Monday–Thursday up to 6:30pm, Friday up to 5:30pm



Monday–Thursday up to 6:30pm, Friday up to 5:30pm

Shipping to Canada with FedEx, UPS & USPS, and anywhere in the world with DHL



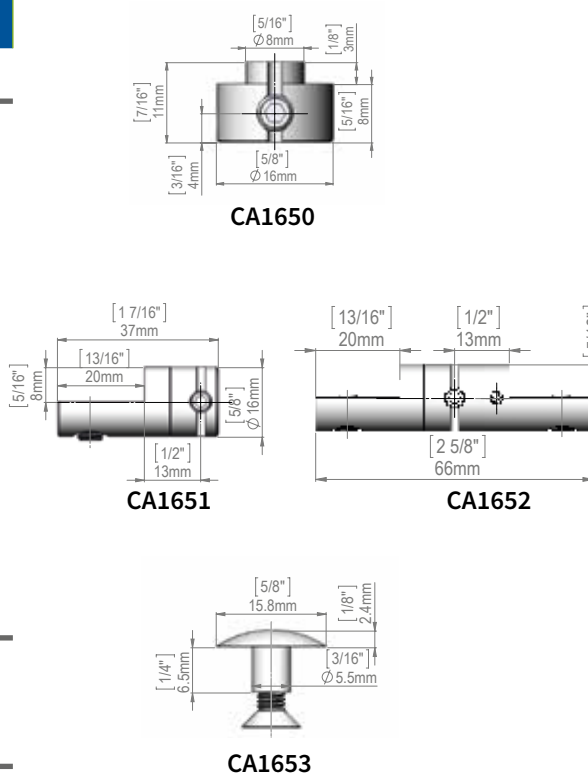
NEW 3/8" Diameter Rod
Clear Anodized Finish
Black Matte Finish!



Shelf Supports

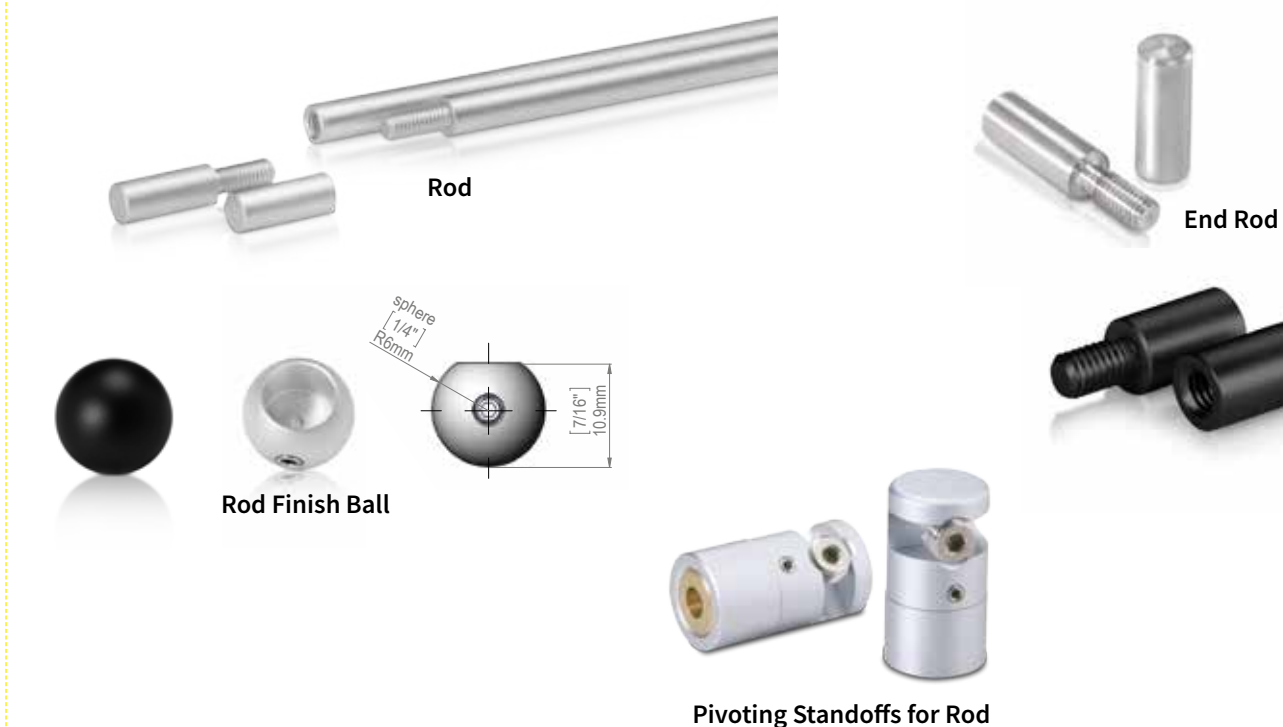
Shelf Support	Material Thickness	Gap from Cable	Mounting Diameter	Cable 1/16"		Cable 1/8"		Rod 1/4"		Rod 3/8"		
				Aluminum	Stainless Steel	Aluminum	Stainless Steel	Aluminum	Stainless Steel	Aluminum	Matte Black	
	1/8"	NA	5/16"	ACA1650	SCA1650	ACA31650	SCA31650	ARA1650	SRA1650	ARA3650A	ARA3650MB	
Pivoting Shelf Support												
	Single Sided	1/4" to 3/4"	1/2"	NA	ACA1651	SCA1651	ACA31651	SCA31651	ARA1651	SRA1651	ARA3651A	ARA3651MB
	Double Sided	1/4" to 3/4"	1/2" x 2	NA	ACA1652	SCA1652	ACA31652	SCA31652	ARA1652	SRA1652	ARA3652A	ARA3652MB
Retainer Screw												
	Single Sided	1/8" to 3/8"	1/4"	NA	ACA1653	SCA1653	ACA31653	SCA31653	ARA1653	SRA1653	ARA3653A	ACA3653MB

TECHNICAL DETAILS



Accessories

Rod	Diameter	Rod 1/4"		Rod 3/8"	
		Aluminum	Stainless Steel	Aluminum	Matte Black
36" Aluminum Rod, Thread and Tapped M4	NA	ROD3A	ROD3	ROD310A	ROD310MB
End Rod, Male/Female Thread and Tapped M4	NA	ROD3A-EA	ROD3-ESS	ROD310-EAA	ROD310-EMB
Rod Finish Ball	NA	ARA1630	SRA1630	ARA3630A	ARA3630MB
Pivoting Standoffs for Rod					
Pivoting Standoff for Rod (Vertically or Horizontally Mount)	5/8"	ASA1724	SSA1724	ASA3724A	ASA3724MB

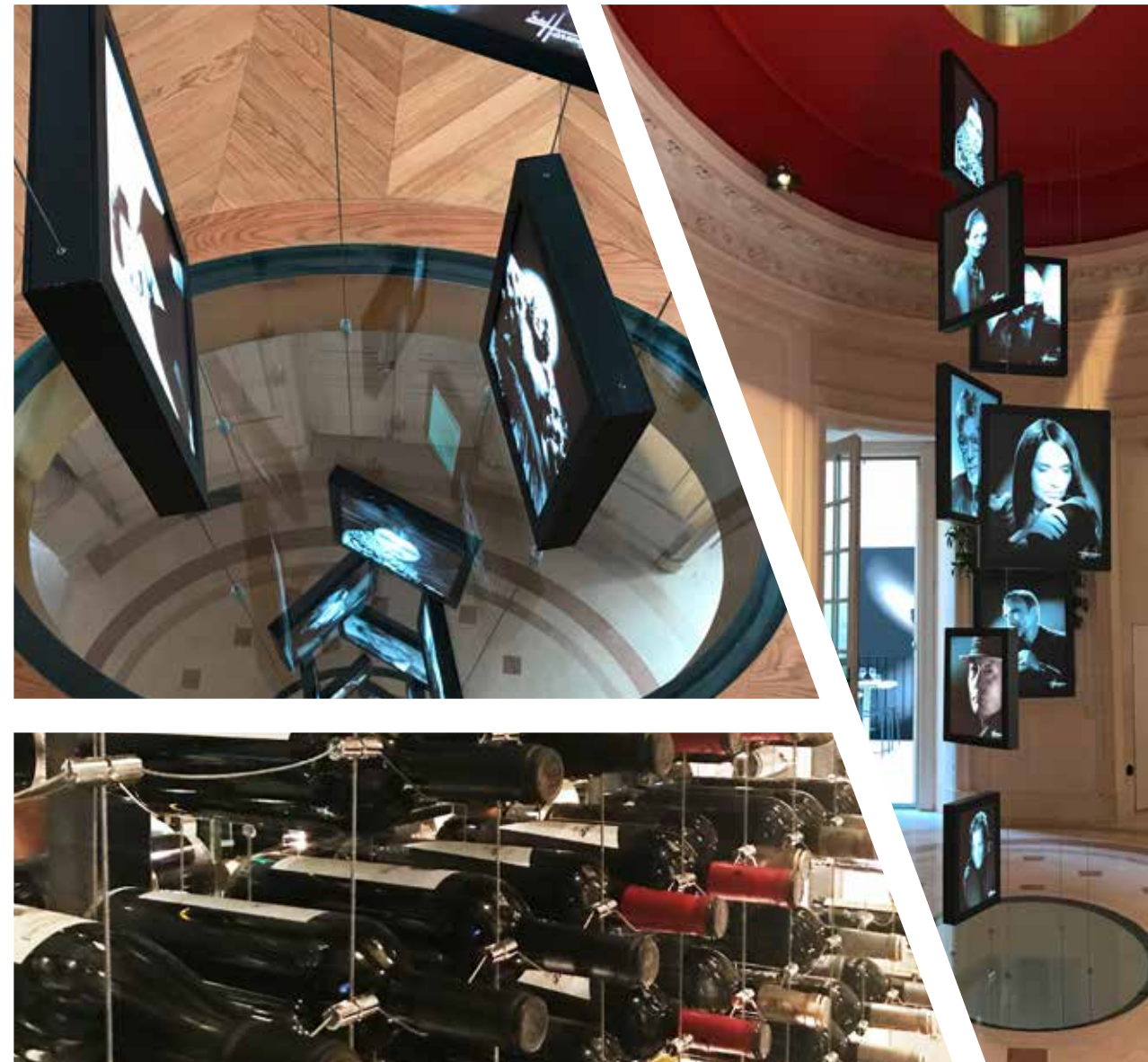


BULK QUANTITY? PERSONALIZED DESIGNS? SPECIAL REQUESTS?

Contact us today!

Our Signage Hardware Experts Will be Delighted To Assist You!

1-813-938-6025 • sales@mbs-standoffs.com



Acrylic Sign Holders

Sign Holders for Inserts



This acrylic sign holder is ideal for displaying marketing materials. The 8.5" x 11" top insert frame allows users to quickly and easily switch out signage selections. This sign holder that hangs in a cable system, also known as acrylic literature frame, is an exciting way to create signage in any environment.

Purchasers can use one of these literature frames or create a system by using multiple acrylic panels! This sign holder is made of crystal clear acrylic. Frames are in stock, you can purchase today.

This fold-over sign holder can be mounted onto the cable system virtually anywhere to maximize viewing. These acrylic frames are ideal for use in retail stores, restaurants, and more! This sign holder that holds 8.5" x 11" graphics is affordable and convenient! This panel holds signage in portrait + landscape orientation only. There is a large selection of acrylic poster frames and cable hanging systems in this online catalog. This acrylic sign holder is an impressive way to showcase 8.5" x 11" graphics when combined with the cable hanging kit.

Mbs is proud to provide Cable & Rod Systems.

These systems are extremely versatile and create amazingly subtle displays that can be integrated into any environment. With so many applications including suspending, shelving, signage, decorative displays, showcase displays and graphic displays, Mbs is sure to meet your displays needs.



Acrylic Sign Holders

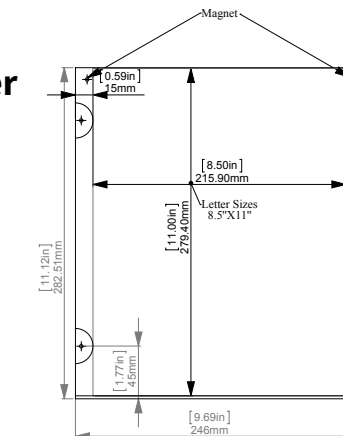
Sign Holders for Inserts

8.5" x 11" Acrylic Sign Holder

Vertical Letter Holder

- 1 clear acrylic holder for letter sizes 8.5" x 11"
- With 2 magnets on the top to keep Acrylic closed
- Acrylic only, hardware not included

Acrylic Sign Holder AC8511

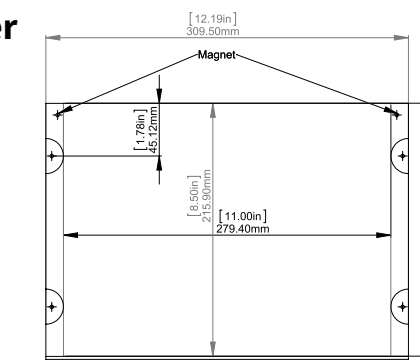


11" x 8.5" Acrylic Sign Holder

Horizontal Letter Holder

- 1 clear acrylic holder for letter sizes 11" x 8.5"
- With 2 magnets on the top to keep Acrylic closed
- Acrylic only, hardware not included

Acrylic Sign Holder AC1185

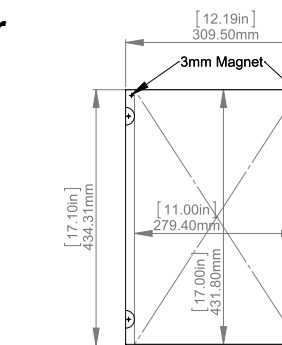


11" x 17" Acrylic Sign Holder

Vertical Ledger Holder

- 1 clear acrylic holder for letter sizes 11" x 17"
- With 2 magnets on the top to keep Acrylic closed
- Acrylic only, hardware not included

Acrylic Sign Holder AC1117

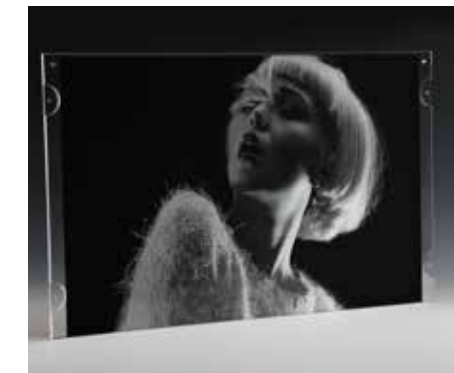
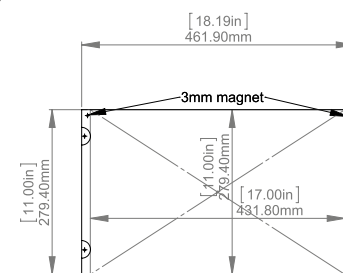


17" x 11" Acrylic Sign Holder

Horizontal Ledger Holder

- 1 clear acrylic holder for letter sizes 17" x 11"
- With 2 magnets on the top to keep Acrylic closed
- Acrylic only, hardware not included

Acrylic Sign Holder AC1711



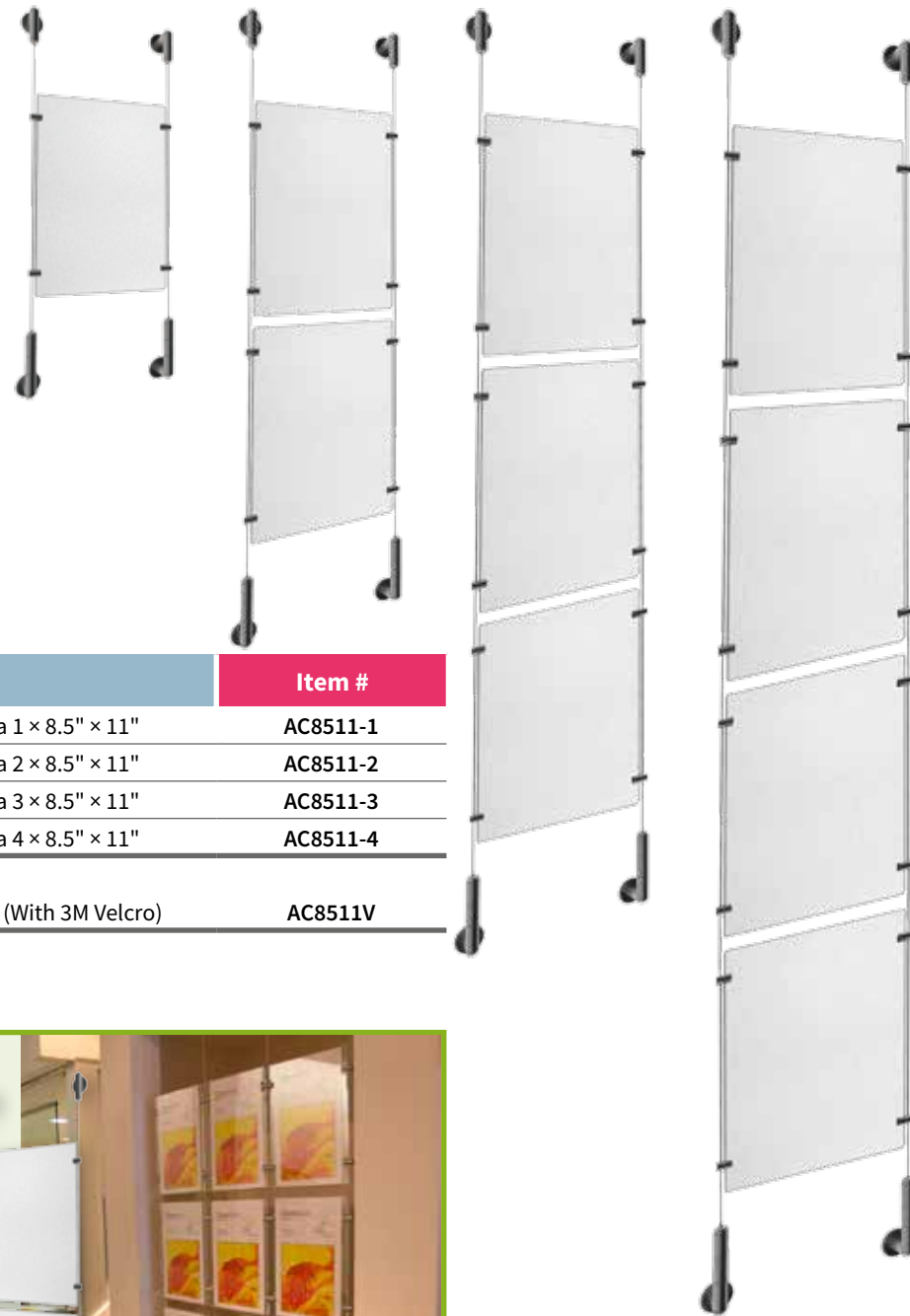
Acrylic Sign Holders

Sign Holders for Inserts

COMMITTED TO QUALITY

All packages are individually inspected multiple times by our certified shipping representatives to ensure your order is nothing less than perfect

1-813-938-6025
sales@mbs-standoffs.com



Description	Item #
Clear Acrylic Sign Holder Kit for Media 1 × 8.5" × 11"	AC8511-1
Clear Acrylic Sign Holder Kit for Media 2 × 8.5" × 11"	AC8511-2
Clear Acrylic Sign Holder Kit for Media 3 × 8.5" × 11"	AC8511-3
Clear Acrylic Sign Holder Kit for Media 4 × 8.5" × 11"	AC8511-4
Clear Acrylic Frame for Media 8.5" × 11" (With 3M Velcro)	AC8511V

Also available in Stainless Steel

EXAMPLE

To do this set, you have to purchase 1 of the kit AC8511-2 and 2 extensions AC8511-2E



Watch Video



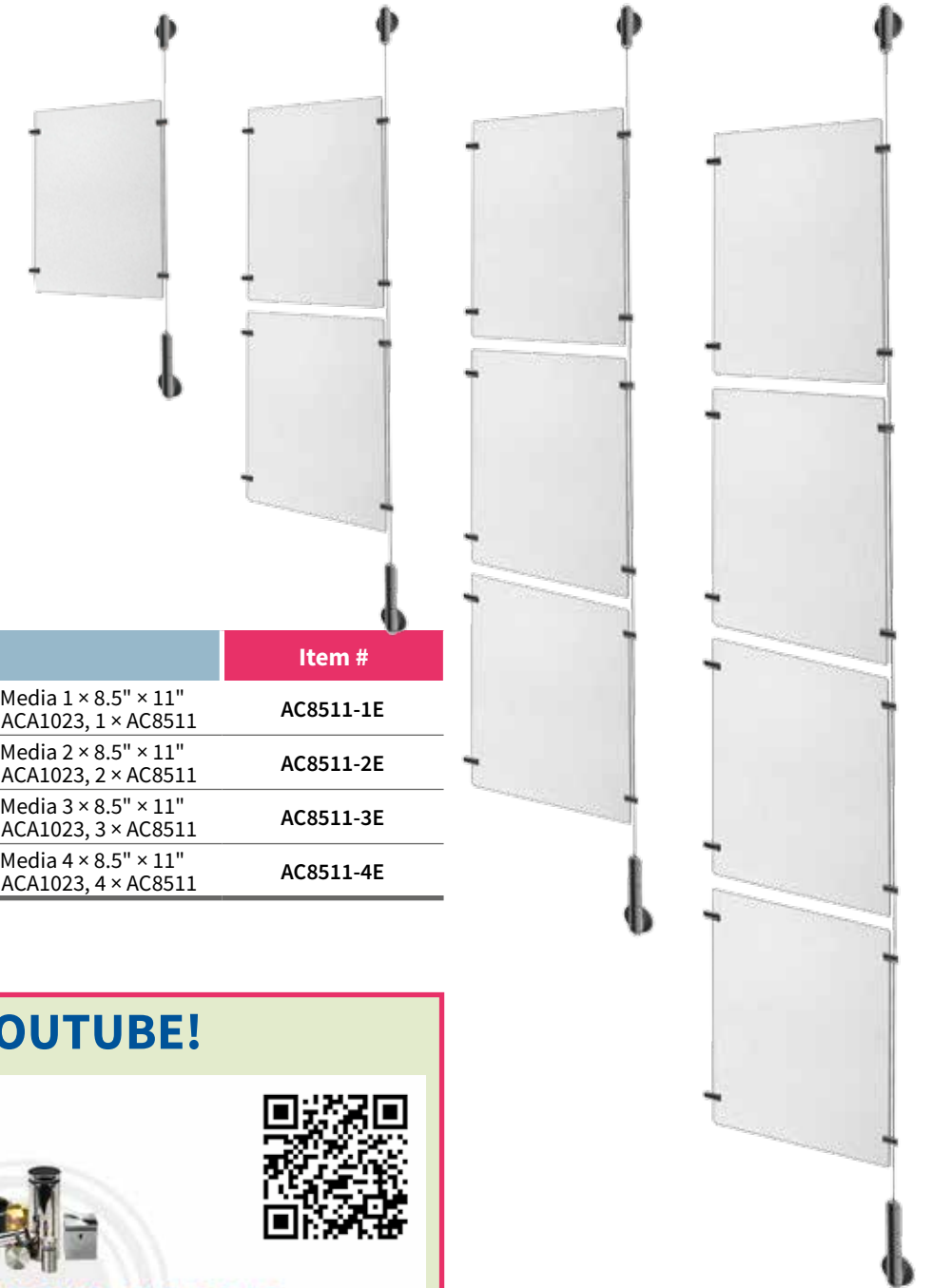
Extension For Acrylic Sign Holders

Sign Holders for Inserts

RESELLER/DISTRIBUTOR PROGRAM

Contact us to get more information on becoming a distributor. MBS is always looking for new distributors.

1-813-938-6025
sales@mbs-standoffs.com



Description	Item #
Clear Acrylic Sign Holder Extension Kit for Media 1 × 8.5" × 11" Kit includes 1 × ACG1902, 2 × ACA1016, 2 × ACA1023, 1 × AC8511	AC8511-1E
Clear Acrylic Sign Holder Extension Kit for Media 2 × 8.5" × 11" Kit includes 1 × ACG1902, 4 × ACA1016, 4 × ACA1023, 2 × AC8511	AC8511-2E
Clear Acrylic Sign Holder Extension Kit for Media 3 × 8.5" × 11" Kit includes 1 × ACG1902, 6 × ACA1016, 6 × ACA1023, 3 × AC8511	AC8511-3E
Clear Acrylic Sign Holder Extension Kit for Media 4 × 8.5" × 11" Kit includes 1 × ACG1902, 8 × ACA1016, 8 × ACA1023, 4 × AC8511	AC8511-4E

Also available in Stainless Steel

FOLLOW US ON YOUTUBE!



LED Poster Holder

Our backlit frames consist of two thin acrylic panels which form an illuminated sign less than 1/2" thick.

Ceiling-to-floor, ceiling-to-wall, wall-to-floor or wall-to-wall cable systems are a unique, modern and eye appealing way to suspend graphics in storefront windows.

Our brushed silver cable system components create a great contrast with the blackface of backlit frames.

LED backlighting is also energy efficient and reduces your energy cost as well as your carbon foot print.

Our backlit frames, similar to light boxes, illuminate graphics printed on translucent materials. This technology will help you increase your exposure and visibility.

Not only will the bright LED illumination draw your customer's attention, it will also allow you to build a repeat customer base by offering your products and/or services utilizing this unique and modern design. The "suspended in mid-air" look, will catch your customer's eye and retain their attention with its sleek and classy appearance.

Each sign panel is held together with decorative hardware and has backers with illuminated beveled edges.

The acrylic overlay has an opaque black border that deflects the edge lighting. The result is a soft glow around the acrylic backlit frames which increases its visual appeal.

As a user, you will find that the LED lighting provides a distinct upgrade in display quality as well as brightness and definition in comparison to traditional neon signage or fluorescent bulbs.

Today's consumers are increasingly aware of environmental issues and are rewarding companies who take the proper steps to minimize pollution and their overall negative impact on our planet. Our LED products will provide you with that edge and will send a positive message to your customers.


Please Note: Posters printed on a translucent material are recommended for use in these light boxes in order to maximize the effect created by the LED backlighting.

Description	Item #
LED Poster Holder Kit 1. Single Sided LED Light Pocket Letter Size	KLP1
LED Poster Holder Kit 2. Single Sided LED Light Pocket Letter Size	KLP2
LED Poster Holder Kit 3. Single Sided LED Light Pocket Letter Size	KLP3
LED Poster Holder Kit 4. Single Sided LED Light Pocket Letter Size	KLP4
Single Sided LED Light Pocket Letter Size	AS-USP2



LED Poster Holder

ACCESSORIES

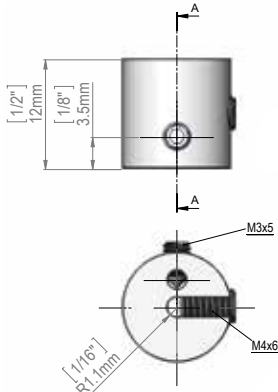



Power Connector

For wire: AWG 14
(low tension 12-24V)

For cable diameter: 1/16" (1.50 mm)

Aluminum Clear Anodized **ACA1212**





Transformer

TR01-1: AC/DC adapter for 1 LED panel
TR01-2: AC/DC adapter for 2 LED panel
TR01-4: AC/DC adapter for 3-4 LED panel

Transformer	TR01
-------------	------



1/4" Rod Sign Holder

Sign Holder

- Our cleverly designed rod display system is perfect for any application.
- Our supports can be placed any distance apart making it versatile to any size sign needing to be displayed.
- These rod display systems use the same techniques as the cable system, only using stainless steel rods instead.
- Highly recommended for heavy duty hanging.
- Rods can be easily fastened together for any length desired.
- Rod ends can be finished with a nifty aluminum "ball" to provide the perfect professional image.
- Use with ASA1724 (pivoting standoff support), ROD3 (1/4" diameter, 3' length rod), and our pivoting supports.
- The rod system is now in stock and available for next day delivery.



Watch Video

Acrylic Sign Holder

- Acrylic sign holders are used for displaying manuals, magazines, literature, greeting cards, flyer and more.
- Our high quality acrylic sign holders are made of acrylic material for long lasting durability.
- Features an impact resistant design for superior performance.
- Accepts media 8.5" x 11" or under vertically.
- Use with ASA1724 (pivoting standoff support) and our ROD3 (1/4" diameter, 3' length rod)



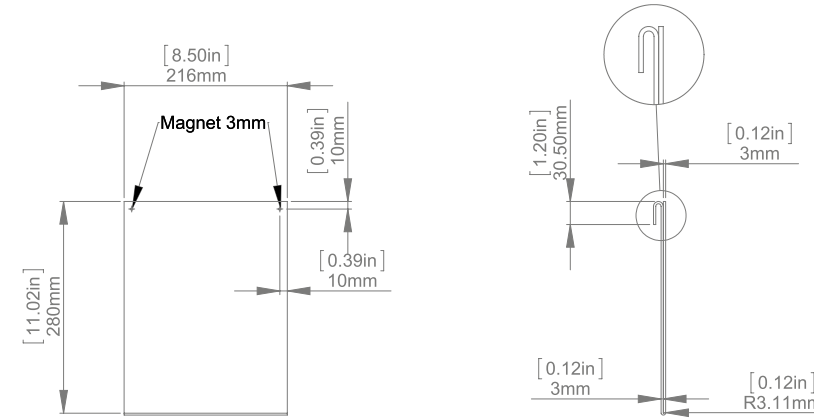
Watch Video

Description	Finish	Diameter	Item #
Rod Ceiling Mount	Satin Brushed	5/8" (15 mm)	100.363-SR
Stainless Steel Wall Mount	Satin Brushed	11/16" (17 mm)	SSA1724
Aluminum Wall Mount	Clear Anodized		ASA1724
Stainless Steel Rod	Satin Brushed	1/4" (6 mm)	ROD3
Aluminum Rod	Clear Anodized		ROD3A
Stainless Steel Junction Part	Satin Brushed		SA1600
Aluminum Junction Part	Clear Anodized		SA1600A



1/4" Rod Sign Holder

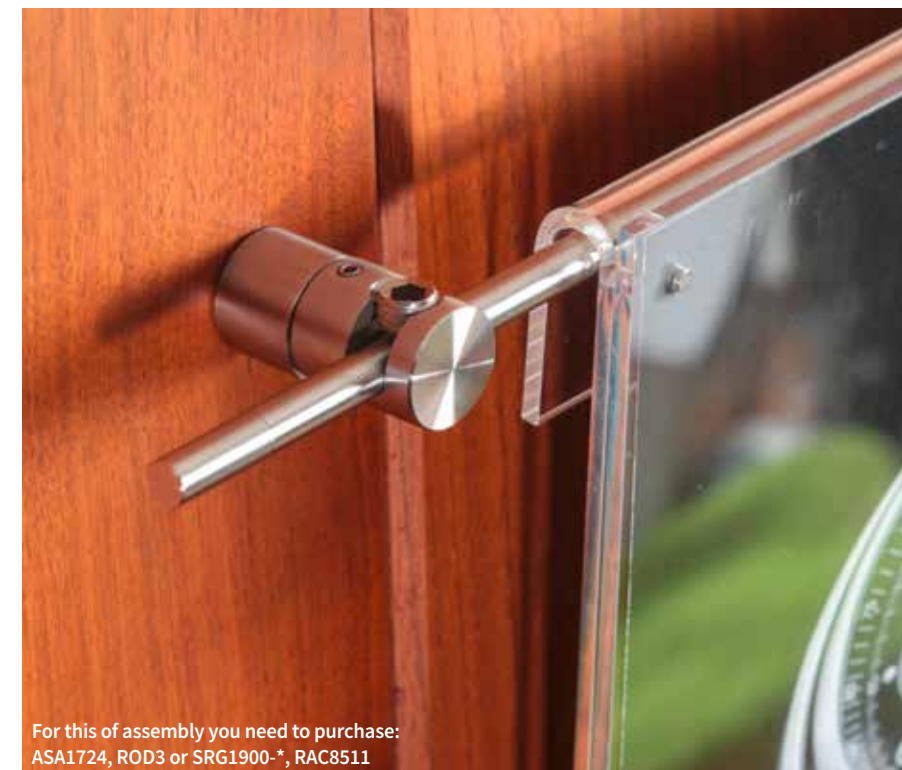
8.5" x 11" Clear Acrylic Sign Holder



Vertical Letter Size Holder:

- 1 clear acrylic holder for letter sizes 8.5" x 11"
- With 2 magnets on the top to keep acrylic closed
- Acrylic only, hardware not included

Acrylic Sign Holder	RAC8511
---------------------	---------



For this of assembly you need to purchase:
ASA1724, ROD3 or SRG1900-*, RAC8511



1/4" Rod Accessories

36" Rod

- 1/4" (6 mm) diameter thread and tapped M4
- ROD3 L: 36" (914.40 m) (indoor use only)
- ROD3 can be assembled together to get the length you need, use ROD3-E to close ends
- Can be cut



Stainless Steel SS201	ROD3
Aluminum Clear Anodized	ROD3A

End Rod

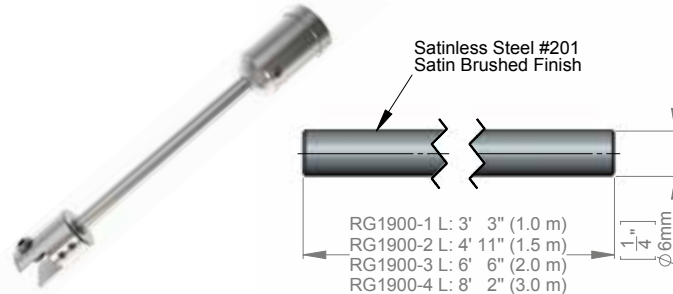
- Male | Female
- 1/4" (6 mm) diameter thread and tapped M4
- Indoor use only



Stainless Steel SS201	ROD3-ESS
Aluminum Clear Anodized	ROD3-EA

Rod

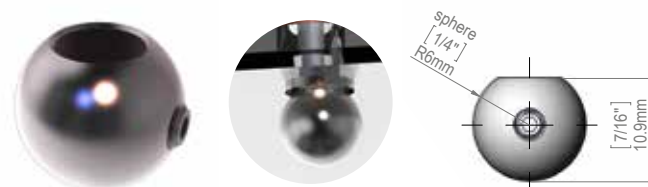
- Stainless steel rod satin finish 1/4" (6 mm) diameter
- SRG1900-1 L: 3' (0.91 m) • SRG1900-3 L: 6'6" (2 m)
- SRG1900-2 L: 4'11" (1.5 m) • SRG1900-4 L: 8'2" (2.5 m)



Stainless Steel SS201	SRG1900-1,2,3,4
-----------------------	-----------------

Rod Finish Ball

- Diameter: 1/2" (12.7 mm)
- Rod finish ball for rod diameter: 1/4" (6 mm)



Aluminum Clear Anodized	ARA1630
-------------------------	---------

Pivoting Standoff for Rod

- Diameter: 5/8" (16 mm)
- Pivoting standoff ball for rod diameter: 1/4" (6 mm)
- Standoff: 1/2" (12.7 mm)

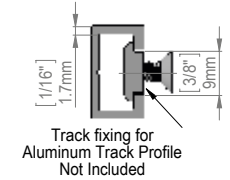


Stainless Steel SS201	SSA1724
Aluminum Clear Anodized	ASA1724

Aluminum Track and Accessories

Aluminum Track

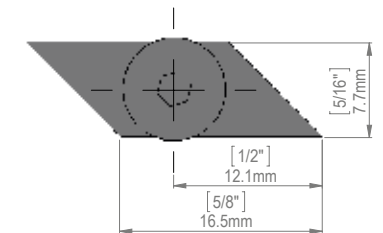
- Aluminum track fixing for mobility
- Clear anodized finished
- L: 6' (1.80 m)



Aluminum Track	AT1911
----------------	--------

Parallelogram Track Fixing

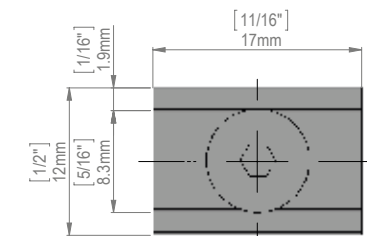
- Parallelogram track fixing for aluminum track profile



Parallelogram Track Fixing	ACW4001
----------------------------	---------

Rectangle Track Fixing

- Rectangle track fixing for aluminum track profile



Rectangle Track Fixing	ACW4002
------------------------	---------



GET ALL PRICES THROUGH OUR NEW ONLINE STORE!

1 LOG ON to www.mbs-standoffs.com
You can select the product you are looking for by hovering over “Products”, then selecting the appropriate category.

2 Search using filter selection and find the right product!



3 Use all product tabs to find:

- Description
- Pictures
- Datasheets
- Videos

4 Shipping calculation and payment completed in **3 easy steps!**

FOLLOW US ON YOUTUBE!

- Product Videos
- Instruction Guides
- Testimonials
- Ideas and more...

COME TO MBS STANDOFFS – THE GO-TO PLACE FOR ALL YOUR PROMOTIONAL SIGN AND DISPLAY REQUIREMENTS

YouTube

www.mbs-standoffs.com

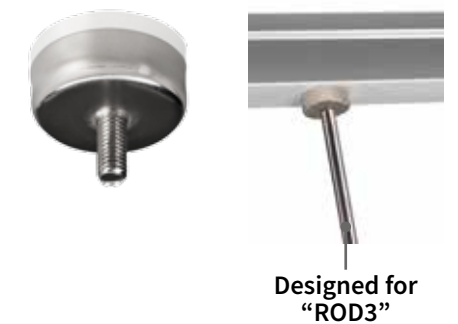
Magnetic Pot

For Signage, Display, Poster, Graphic, etc...

Description	Item #
3/4" Pot Magnet with Hook white painted (Inside use only)	HM20W



Description	Item #
3/4" Pot Magnet (Inside use only) Threaded M4 designed for "ROD3"	MR20NI



All packages are individually inspected multiple times by our certified shipping representatives to ensure your order is nothing less than perfect

1-813-938-6025
sales@mbs-standoffs.com

COMMITTED TO QUALITY



BULK QUANTITY? PERSONALIZED DESIGNS? SPECIAL REQUESTS?

Contact us today!

Our Signage Hardware Experts Will be Delighted To Assist You!

1-813-938-6025 • sales@mbs-standoffs.com



ART HANGING SYSTEM



Hanging Systems



Mbs Hanging Systems was established in 2014 to offer innovative, museum quality, professional art hanging services and supplies through advanced art hanging hardware. Mbs Hanging Systems' amazing product line was born from innovations that began with our sister company, Mbs Standoffs, which has offered state-of-the-art signage hardware for over 15 years. We saw the need for high-quality art hanging hardware at affordable prices and we took on the challenge.

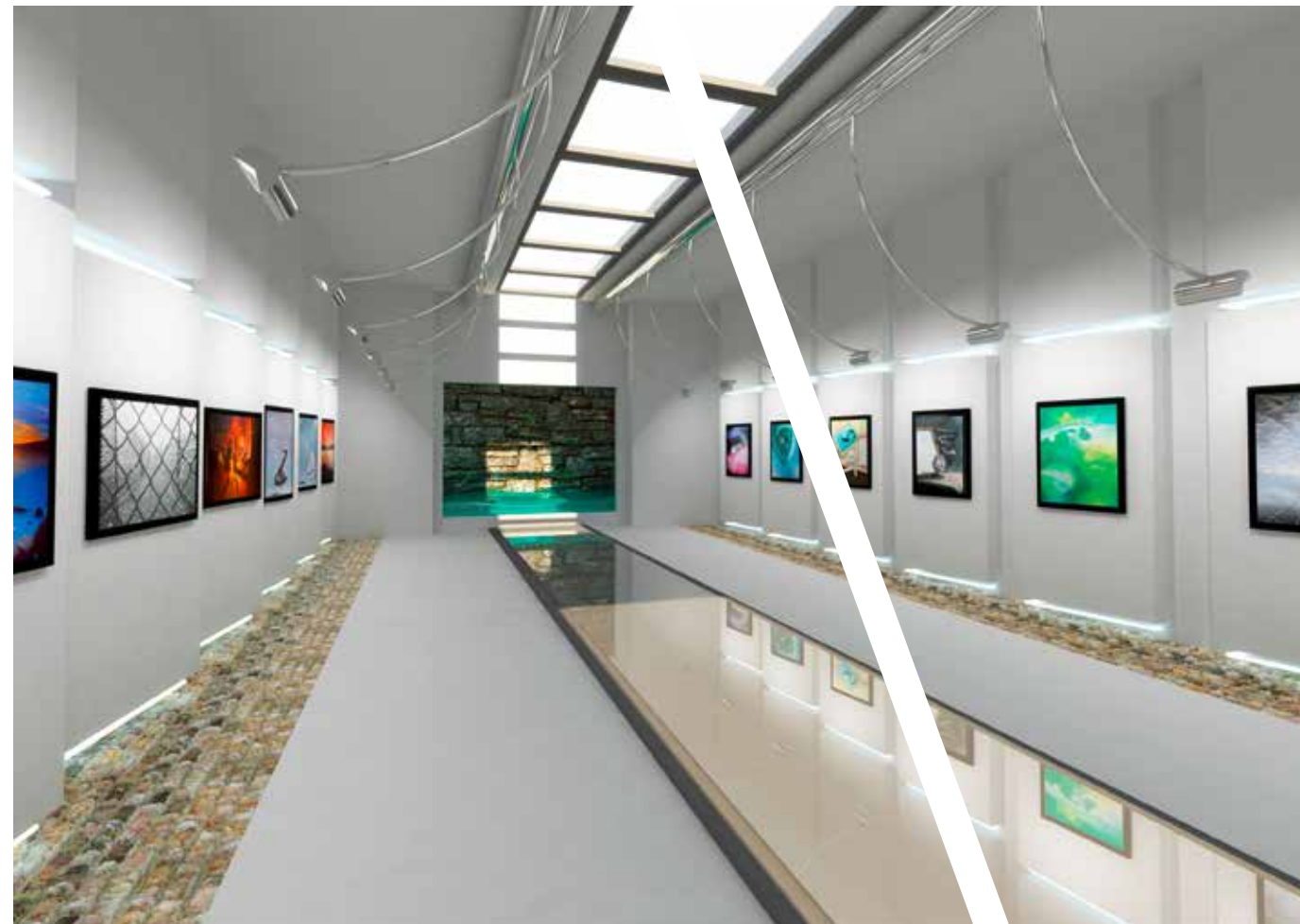
Our dedicated design team, in partnership with galleries, museums, and businesses around the world, worked diligently to create a simple, beautiful, and flexible product line that is as amazing to use as it is to look at.

All of our products share one thing in common – they were designed with your needs in mind. Installation is straightforward and simple to save you time and stress. Flexibility is at an all-time high – move your art up, down, or side-to-side until it's just right. Adding, removing, or changing your art is easier than ever – it takes only a few seconds and best of all, no tools required.

At Mbs Hanging Systems, we believe the tools we provide should work so well that you don't have to consider how they might have been designed differently. That's why we strive to provide the highest quality professional art hanging products at the best price – every time.



For more information visit
<http://mbs-hanging-systems.com/>



Hanging Systems



Easy Rail System

Our Easy Rail System is simple, discreet, and designed to use in the home, office, or anywhere that appearance is important.

The key to this beautiful and strong system, rated to withstand loads up to 78 lbs (35 kg), is a series of high strength clips that install behind the rail and out of view.

Thanks to the modular nature of the Easy Rail System, you can add to, remove from, or modify your display at any time in just seconds – and no more holes in the wall!



Classic Rail System

Our Classic Rail System is effortless and inconspicuously designed, with a focus on strength, rated to hold up to an astonishing 300 lbs (136 kg) per rail!

The Classic Rail System is designed with galleries in mind, where a display may be changed many times per week.

All of our Hanging Cables and Rods hook on and off in one simple motion to make it easier than ever for you to quickly update your displays!



Ceiling Rail

Our Ceiling Rail System installs into the ceiling instead of the traditional wall mounted application.

Mount it open-faced to make changing your display easier than ever or turn it around for a closed-face installation that makes your Art Hanging System even more subtle than before.

Use it in the window of your shop or use it a few inches off of the wall to give your art an amazing floating effect!



Easy Rail

Wall-Mounted



Modern Design and Discreet! Easy to install!

The Easy Rail is secured to the wall using fastening clips that conceal all fittings and wall anchors

Simply affix the supplied fastening clips to the wall and snap Easy Rail to the clips.

The Easy Rail picture hanging system is compatible with a wide variety of our hangers and hooks that make adjustment both horizontally and vertically easy, effortless and without damage to walls. Nails and unwanted holes will be a thing of the past when using Easy Rail.

Application: Wall-Mounted

Material: Aluminum

Available Length: (72") - (182.88 cm)

Rail Height: 25 mm - (1")

Available Colors: Silver Satin Anodized, Black Satin Anodized, White Painted & 180 Colors Powder Coated

Rated Rail Weight: 75 lb / 35 kg (When Properly Installed)

Installation

The Easy Rail mounts to the walls with the use of Screws and Anchors.

- To hang items using the Easy Rail, you must select your hanger preference
 - Cobra Cable
 - Ball-End Cable
- After you have selected your hanger option you must then select your hook preference
 - Cable Hook for Stainless Steel and Nylon Cable
 - Spring Hook for Nylon Cable

Hanger Compatibility

- Cobra Cable – Nylon / 13 lbs
- Cobra Cable – Stainless Steel / 26 lbs
- Ball-End Cable Stainless Steel / 45 lbs



Easy Rail

Wall-Mounted

Easy Rails are Picture Hanging Systems that are optimized for home or office usage. In order to put your system together you will need to choose your finish options, then your hanger options and finally your hook style. Once you have the core of your system selected, you can pick accessories or installation hardware.



Silver Satin Anodized	AT100-A
Black Satin Anodized	AT100-B
White Painted	AT100-W
180 Colors Finishes*	AT100-C
Natural Mill**	AT100-MF

* RAL standard colors with fee
** Can have manufacturing scratches

FINISHES



Silver Satin Anodized



Black Satin Anodized



White Painted

HANGING OPTION

Ball End Cable

Available in Stainless Steel
Item #: SSC101-**



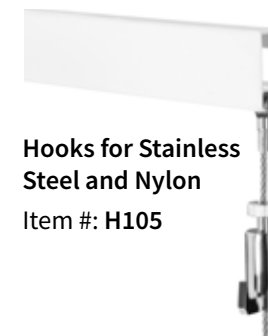
Cobra

Available in Stainless Steel and Nylon
Item #: SSC100-**



HOOK OPTION

Hooks for Stainless Steel and Nylon
Item #: H105



Hooks for Nylon
Item #: SH100



Easy Rail

Wall-Mounted



Silver Satin Anodized	AT100-A
Black Satin Anodized	AT100-B
White Painted	AT100-W
180 Colors Finishes*	AT100-C
Natural Milled**	AT100-MF

* RAL standard colors with fee
 ** Can have manufacturing scratches

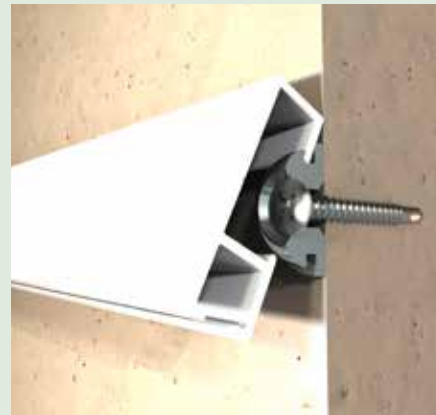
CHOOSE YOUR FINISH



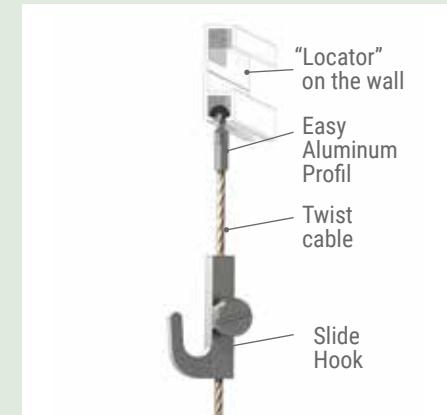
INSTALLATION INSTRUCTIONS



1. Mark your installation location and install 6 Locators, each 12 inches apart. If you use multiple rails end-to-end, use a Connector to install them flush.



2. After your hardware is installed on the wall, line up the top of the rail with the top of the Locators, then push the bottom down until it Easys into place.



3. Finally, attach your cable to the rail and your hook to the cable and you have a beautiful picture hanging system ready to go!



Easy Rail

Wall-Mounted

Compatible with

<p>Stainless Steel Ball End Cable Item #: SSC101-**</p>	<p>Stainless Steel Cobra Cable Item #: SSC100-**</p>	<p>Nylon Cobra Cable Item #: NC100</p>	<p>Nylon Cobra Cable Item #: NC100</p>
<p>Item #: H104 PG 140</p>	<p>Item #: SGH100 PG 140</p>	<p>Item #: H100 PG 142</p>	<p>Item #: SH100 PG 143</p>
<p>Item #: H105 PG 140</p>	<p>Item #: GH0015 PG 141</p>	<p>Item #: H101 PG 142</p>	
<p>Item #: H103 PG 140</p>	<p>Item #: GH0014 PG 141</p>		
<p>Item #: GH0013 PG 141</p>	<p>Item #: GH0012 PG 141</p>		



Classic Rail

Wall-Mounted



The Classic Rail picture hanging system is compatible with a wide variety of our hangers and hooks that make adjusting both horizontally and vertically easy, effortless and without damage to walls. Nails and unwanted holes will be a thing of the past when using Easy Rail.

Application: Wall-Mounted

Material: Aluminum

Available Length: (72") - (182.88 cm)

Rail Height: 25 mm - (1")

Available Colors: Silver Satin Anodized, Black Satin Anodized, White Painted & 180 Colors Powder Coated

Rated Rail Weight: 75 lb / 35 kg (When Properly Installed)

Note: This rail comes with 8 Pre-drilled holes.

Installation

Classic Rail, Picture Hanging System mounts to the wall with the use of (8) No. 6 Screws and Anchors.

- To hang items using the Classic Rail, you must select your hanger preference
 - Rod "J"
- After you have selected your hanger option you must then select your hook preference
 - Cable Hook for Stainless Steel and Nylon Cable
 - Spring Hook for Nylon Cable

Hanger Compatibility

- Cobra Cable - Nylon / 13 lbs
- Cobra Cable - Stainless Steel / 26 lbs
- Ball-End Cable Stainless Steel / 45 lbs



Classic Rail

Wall-Mounted

Classic Rails are Picture Hanging Systems that are optimized for galleries, museums, etc. In order to put your system together you will need to choose your finish options, then your hanger options and finally your hook style. Once you have the core of your system selected, you can select the installation hardware.



Silver Satin Anodized	AT101-A
Black Satin Anodized	AT101-B
White Painted	AT101-W
180 Colors Finishes*	AT101-C
Natural Milled**	AT101-MF

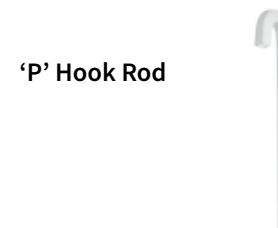
* RAL standard colors with fee

** Can have manufacturing scratches

FINISHES



HANGING OPTION



HOOK OPTION



Classic Rail

Wall-Mounted



Silver Satin Anodized	AT101-A
Black Satin Anodized	AT101-B
White Painted	AT101-W
180 Colors Finishes*	AT101-C
Natural Milled**	AT101-MF

*RAL standard colors with fee
 ** Can have manufacturing scratches

CHOOSE YOUR FINISH



Classic Rail

Wall-Mounted

Compatible with

<p>"P" Hook with Stainless Steel Cable</p>	<p>"P" Hook with Nylon Cable</p>	<p>"P" Hook with Nylon Cable</p>	<p>"P" Hook with Nylon Cable</p>
<p>Item #: H104 PG 140</p>	<p>Item #: SGH100 PG 140</p>	<p>Item #: H100 PG 142</p>	<p>Item #: SH100 PG 143</p>
<p>Item #: H105 PG 140</p>	<p>Item #: GH0015 PG 141</p>	<p>Item #: H101 PG 142</p>	
<p>Item #: H103 PG 140</p>	<p>Item #: GH0014 PG 141</p>		
<p>Item #: GH0013 PG 141</p>	<p>Item #: GH0012 PG 141</p>		



Ceiling Rail

Ceiling Mount



The Ceiling Rail picture hanging system is compatible with a wide variety of our hangers and hooks that make adjusting both horizontally and vertically easy, effortless and without damage to walls. Nails and unwanted holes will be a thing of the past when using Ceiling Rail.

Application: Wall-Mounted

Material: Aluminum

Available Length: (72") - (182.88 cm)

Rail Height: 25 mm - (1")

Available Colors: Silver Satin Anodized, Black Satin Anodized, White Painted & 180 Colors Powder Coated

Rated Rail Weight: 75 lb / 35 kg (When Properly Installed)

Note: This rail comes with 8 Pre-drilled holes.

Installation

Ceiling Rails, Picture Hanging Systems mounts to the wall with the use of (8) No. 6 Screws and Anchors.

- To hang items using the Ceiling Rail, you must select your hanger preference
 - Cable "P"
- After you have selected your hanger option you must then select your hook preference
 - Cable Hook for Stainless Steel and Nylon Cable
 - Spring Hook for Nylon Cable

Hanger Compatibility

- Cobra Cable - Nylon / 13 lbs
- Cobra Cable - Stainless Steel / 26 lbs
- Ball-End Cable Stainless Steel / 45 lbs



Ceiling Rail

Ceiling Mount

Ceiling Rails are Picture Hanging Systems that are optimized for home or office usage. In order to put your system together you will need to choose your finish hanger, then your hanging options and finally your hook options. Once you have the core of your system selected, you can select the installation hardware.



Silver Satin Anodized	AT102-A
Black Satin Anodized	AT102-B
White Painted	AT102-W
180 Colors Finishes*	AT102-C
Natural Milled**	AT102-MF

* RAL standard colors with fee
** Can have manufacturing scratches

FINISHES



White Painted

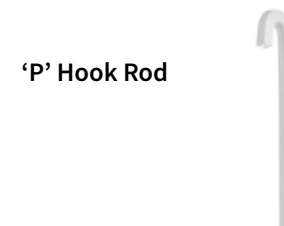


Silver Satin Anodized

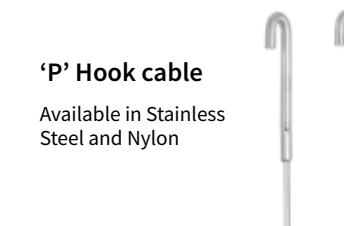


Black Satin Anodized

HANGING OPTION



'P' Hook Rod



'P' Hook cable
Available in Stainless Steel and Nylon

HOOK OPTION



Hooks for Stainless Steel and Nylon



Hooks for Nylon



Ceiling Rail

Ceiling Mount



Silver Satin Anodized	AT102-A
Black Satin Anodized	AT102-B
White Painted	AT102-W
180 Colors Finishes*	AT102-C
Natural Mill**	AT102-MF

*RAL standard colors with fee
 ** Can have manufacturing scratches

CHOOSE YOUR FINISH



Ceiling Rail

Ceiling Mount

Compatible with

<p>“J” Hook with Stainless Steel Cable</p>	<p>“J” Hook with Nylon Cable</p>	<p>“J” Hook with Nylon Cable</p>	<p>“J” Hook with Nylon Cable</p>
<p>Item #: H104 PG 140</p>	<p>Item #: SGH100 PG 140</p>	<p>Item #: H100 PG 142</p>	<p>Item #: SH100 PG 143</p>
<p>Item #: H105 PG 140</p>	<p>Item #: GH0015 PG 141</p>	<p>Item #: H101 PG 142</p>	
<p>Item #: H103 PG 140</p>	<p>Item #: GH0014 PG 141</p>		
<p>Item #: GH0013 PG 141</p>	<p>Item #: GH0012 PG 141</p>		



Items List

Ball End

Stainless Steel
 Diameter: 1/16"
 Rated Strength: 45 Lbs (20 Kg)
 For: Easy Rail

Length	Item #
48"	SSC101-48
72"	SSC101-72
96"	SSC101-96
120"	SSC101-120



Cobra

Stainless Steel
 Diameter: 1/16"
 Rated Strength: 45 Lbs (20 Kg)
 For: Easy Rail

Length	Item #
48"	SSC100-48
72"	SSC100-72
96"	SSC100-96
120"	SSC100-120



Cobra

Nylon
 Diameter: 1/16"
 Rated Strength: 15 Lbs (6 Kg)
 For: Easy Rail

Length	Item #
48"	NC100-48
72"	NC100-72
96"	NC100-96
120"	NC100-120



Items List

“P”

Stainless Steel
 Diameter: 1/16"
 Rated Strength: 45 Lbs (20 Kg)
 For: Classic Rail, Ceiling Rail

Length	Item #
48"	SSC104-48
72"	SSC104-72
96"	SSC104-96
120"	SSC104-120



“P”

Nylon
 Diameter: 1/16"
 Rated Strength: 15 Lbs (6 Kg)
 For: Classic Rail, Ceiling Rail

Length	Item #
48"	NC104-48
72"	NC104-72
96"	NC104-96
120"	NC104-120



“P”

Aluminum
 Square: 3/16"
 Rated Strength: 70 Lbs (31 Kg)
 For: Classic Rail, Ceiling Rail



Length	White	Black Anodized	Clear Anodized	180 Color Finishes*
48"	CR100P-48W	CR100P-48B	CR100P-48A	CR100P-48C
72"	CR100P-72W	CR100P-72B	CR100P-72A	CR100P-72C
96"	CR100P-96W	CR100P-96B	CR100P-96A	CR100P-96C

* Hand Packing Fee applied



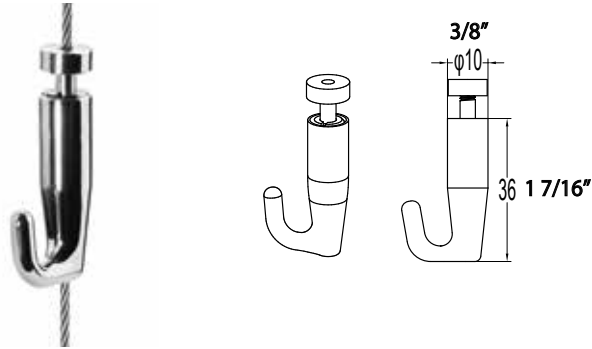
Hooks for Stainless Steel and Nylon Cable

Brass – Nickel plating

Self-Gripping

For use with: Ball End, Cobra Cable, “P” Hook Cable
 For cable diameter: 3/64" (1.2 mm) to 1/16" (1.5 mm)
 Rated strength: 15 lbs (6 kg)
 For: Classic Rail, Ceiling Rail

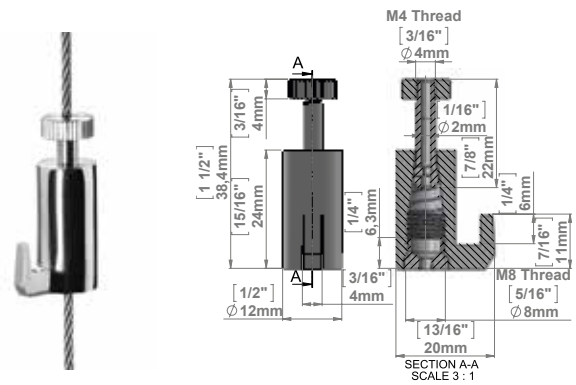
Nickel Plating	H104-NK
----------------	---------



Self-Gripping

For use with: Ball End, Cobra Cable, “P” Hook Cable
 For cable diameter: 3/64" (1.2 mm) to 1/16" (1.5 mm)
 Rated strength: 15 lbs (6 kg)
 For: Classic Rail, Ceiling Rail

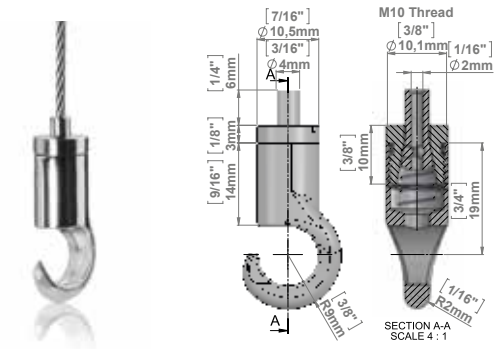
Nickel Plating	H105-NK
----------------	---------



Self-Gripping

For use with: Ball End, Cobra Cable, “P” Hook Cable
 For cable diameter: 3/64" (1.2 mm) to 1/16" (1.5 mm)
 Rated strength: 15 lbs (6 kg)
 For: Classic Rail, Ceiling Rail

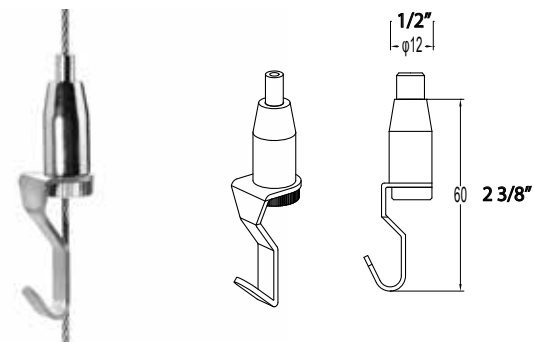
Nickel Plating	H103-NK
----------------	---------



Self-Gripping

For use with: Ball End, Cobra Cable, “P” Hook Cable
 For cable diameter: 3/64" (1.2 mm) to 1/16" (1.5 mm)
 Rated strength: 15 lbs (6 kg)
 For: Classic Rail, Ceiling Rail

Nickel Plating	SGH100
----------------	--------



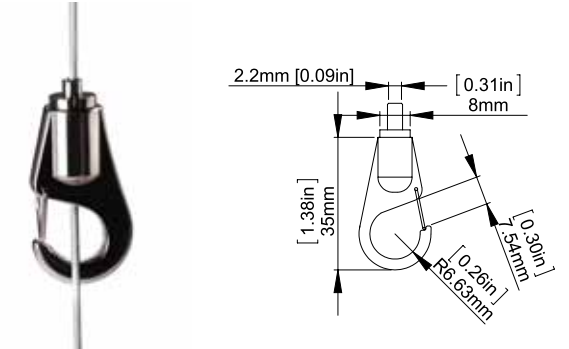
Hooks for Stainless Steel and Nylon Cable

Brass – Nickel plating

Self-Gripping

For use with: Ball End, Cobra Cable, “P” Hook Cable
 For cable diameter: 3/64" (1.2 mm) to 1/16" (1.5 mm)
 Rated strength: 15 lbs (6 kg)
 For: Classic Rail, Ceiling Rail

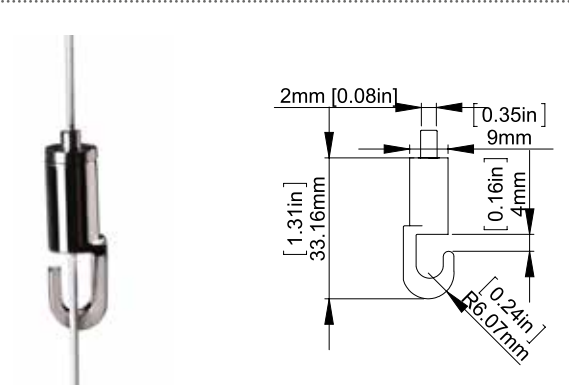
Nickel Plating	GH0012
----------------	--------



Self-Gripping

For use with: Ball End, Cobra Cable, “P” Hook Cable
 For cable diameter: 3/64" (1.2 mm) to 1/16" (1.5 mm)
 Rated strength: 15 lbs (6 kg)
 For: Classic Rail, Ceiling Rail

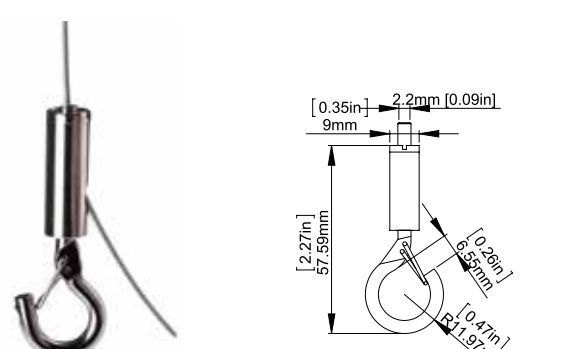
Nickel Plating	GH0013
----------------	--------



Self-Gripping

For use with: Ball End, Cobra Cable, “P” Hook Cable
 For cable diameter: 3/64" (1.2 mm) to 1/16" (1.5 mm)
 Rated strength: 15 lbs (6 kg)
 For: Classic Rail, Ceiling Rail

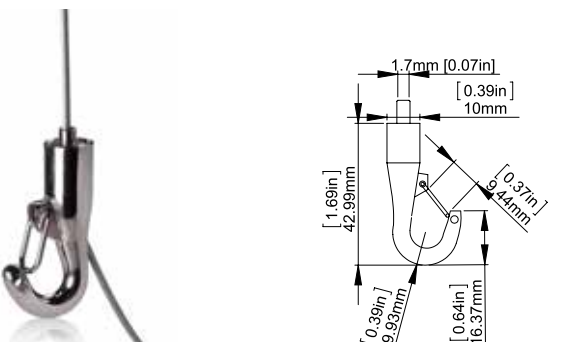
Nickel Plating	GH0014
----------------	--------



Self-Gripping

For use with: Ball End, Cobra Cable, “P” Hook Cable
 For cable diameter: 3/64" (1.2 mm) to 1/16" (1.5 mm)
 Rated strength: 15 lbs (6 kg)
 For: Classic Rail, Ceiling Rail

Nickel Plating	GH0015
----------------	--------

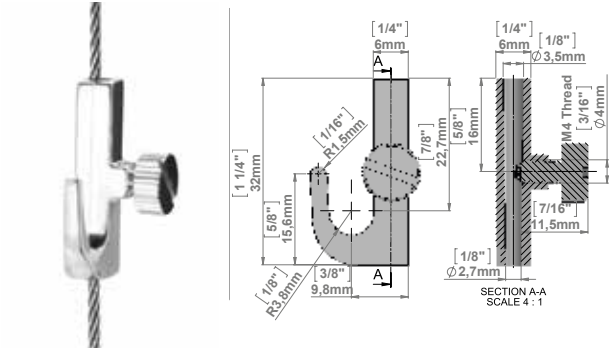


Hooks for Stainless Steel and Nylon Cable

Screw Gripping

Brass
 Finish: Nickel plating
 For use with: Ball End, Cobra Cable, "P" Hook Cable
 For cable diameter: 3/64" (1.2 mm) to 1/16" (1.5 mm)
 Rated strength: 15 lbs (6 kg)
 For: Classic Rail, Ceiling Rail

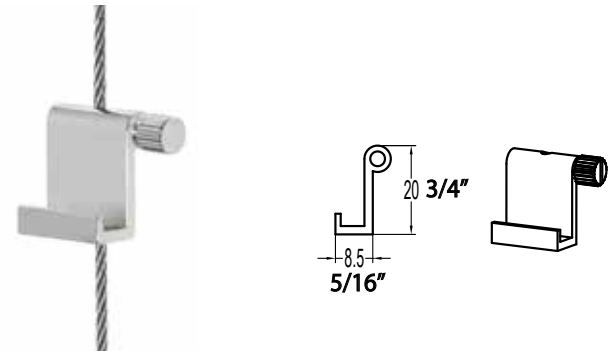
Nickel Plating	H100NK
----------------	--------



Screw Gripping

Aluminum
 Finish: Nickel plating
 For use with: Ball End, Cobra Cable, "P" Hook Cable
 For cable diameter: 3/64" (1.2 mm) to 1/16" (1.5 mm)
 Rated strength: 15 lbs (6 kg)
 For: Classic Rail, Ceiling Rail

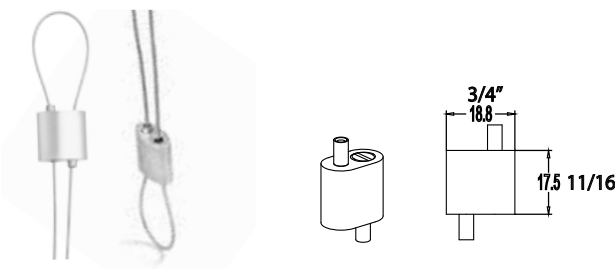
Nickel Plating	H101NK
----------------	--------



Looper for Nylon Cable

Locking Looper – Aluminum
 Finish: Clear Anodized
 For cable diameter: 1/16" (2 mm)
 Rated strength: 15 lbs (6 kg)

Clear Anodized	DG005
----------------	-------



Cable Tensioner

Spring
 Application: Cable tensioner

Brass	TSS100
-------	--------

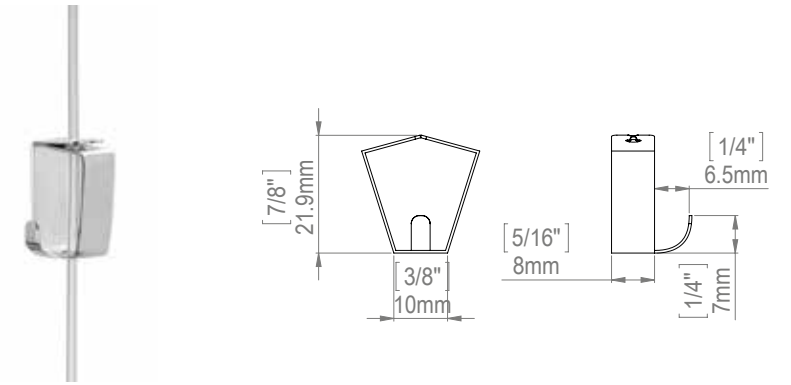


Hooks for Stainless Steel and Nylon Cable

Spring Gripping for use with Nylon cable only

Steel
 Finish: Nickel Plating
 For use with: Ball End, Cobra Cable, "J" Hook Cable, "P" Hook Cable
 For Cable Diameter: 1/16" (2 mm)
 Rated Strength: 15 Lbs (6 Kg)
 For: Classic Rail, Ceiling Rail

Item #: SH100



Picture Stabilizer

Size: 6 7/8"
 Material: Steel
 Finish: Nickel Plating
 Item #: SPS100



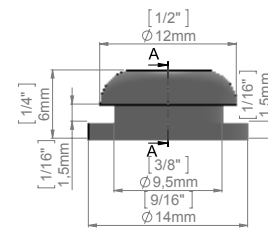
Picture Stabilizer

Size: 11 5/8"
 Material: Steel
 Finish: Nickel Plating
 Item #: BPS100



HARDWARE

Locator
 Aluminum
 Finish: Nickel Plating
 For use with: Easy Rail
 Item #: CTL100



Connector for Easy Rail
 Brass
 For use with: Easy Rail
 Item #: CTC100



	Screw	Anchor	Item #
	Phillips Screw #6 x 1 1/4"	Rapid Anchor for Drywall	SADW6
	Phillips Screw #8 x 1 1/4"	Rapid Anchor for Drywall	SADW8
	Phillips Screw #6 x 1 1/4"	Anchor for Concrete	SACW6
	Phillips Screw #8 x 1 1/4"	Anchor for Concrete	SACW8

ACCESSORIES

Use Tclamp to attach to drop ceiling.

Finish	Item #
Steel Painted White	Tclamp
Steel Painted White	Tclamp1
Clear Acrylic	Tclamp2



Item # CABLECUTTER



Solid Steel Powder Coated Double Panel Stand

Why limit yourself to walls and ceilings? Use this beautifully designed Standing Sign Base to create an incredible and portable sign display!

Maximum panel thickness accepted: 3/4"

Sizes: 14" x 14" x 4"

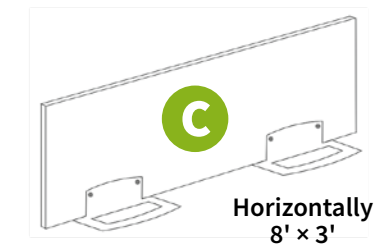
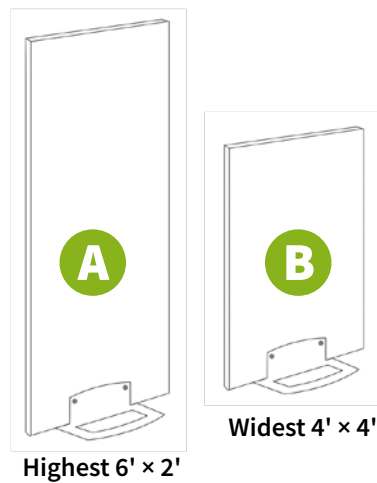
Weight: 3.6 lbs

Item #: PS370



*Sold Without Panel

3 WAYS TO ENJOY IT!



INSTALLATION

1. Unscrew the caps from the base and remove the steel retaining panel. Place your material against the sign base and thread your screws through your material.
2. Place the steel retaining panel on the other side of your material, slide the screws through, and tighten the caps until snug.
3. Take a step back and admire your gorgeous display!

GET ALL PRICES THROUGH OUR ONLINE STORE!

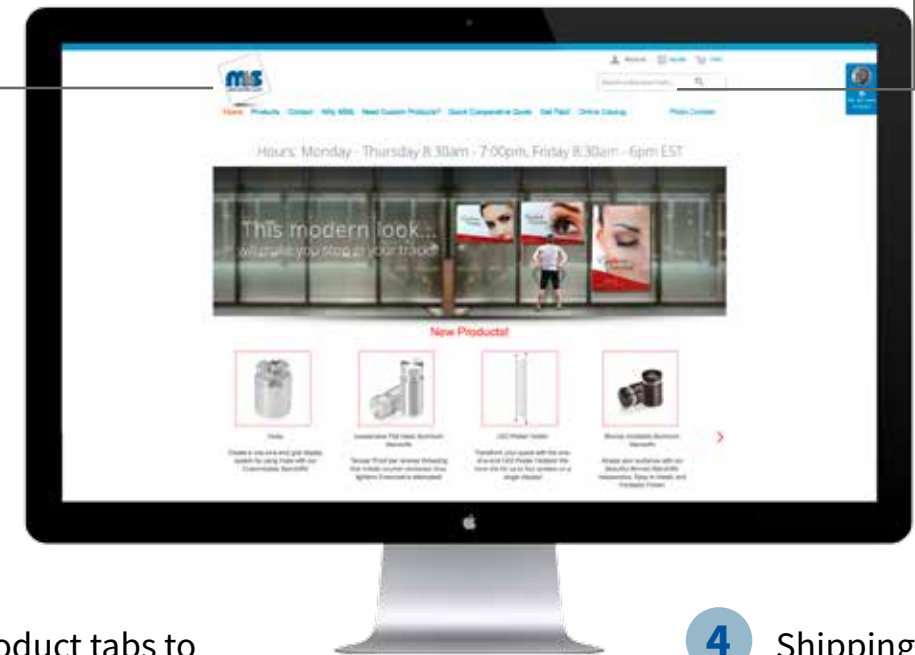


1

LOG ON to www.mbs-standoffs.com
You can select the product you are looking for by hovering over "Products", then selecting the appropriate category.

2

Search using filter selection and find the right product!



3

Use product tabs to find:

- Description
- Pictures
- Datasheets
- Videos

4

Shipping calculation and payment completed in **3 easy steps!**





**America's # 1
choice for standoffs**

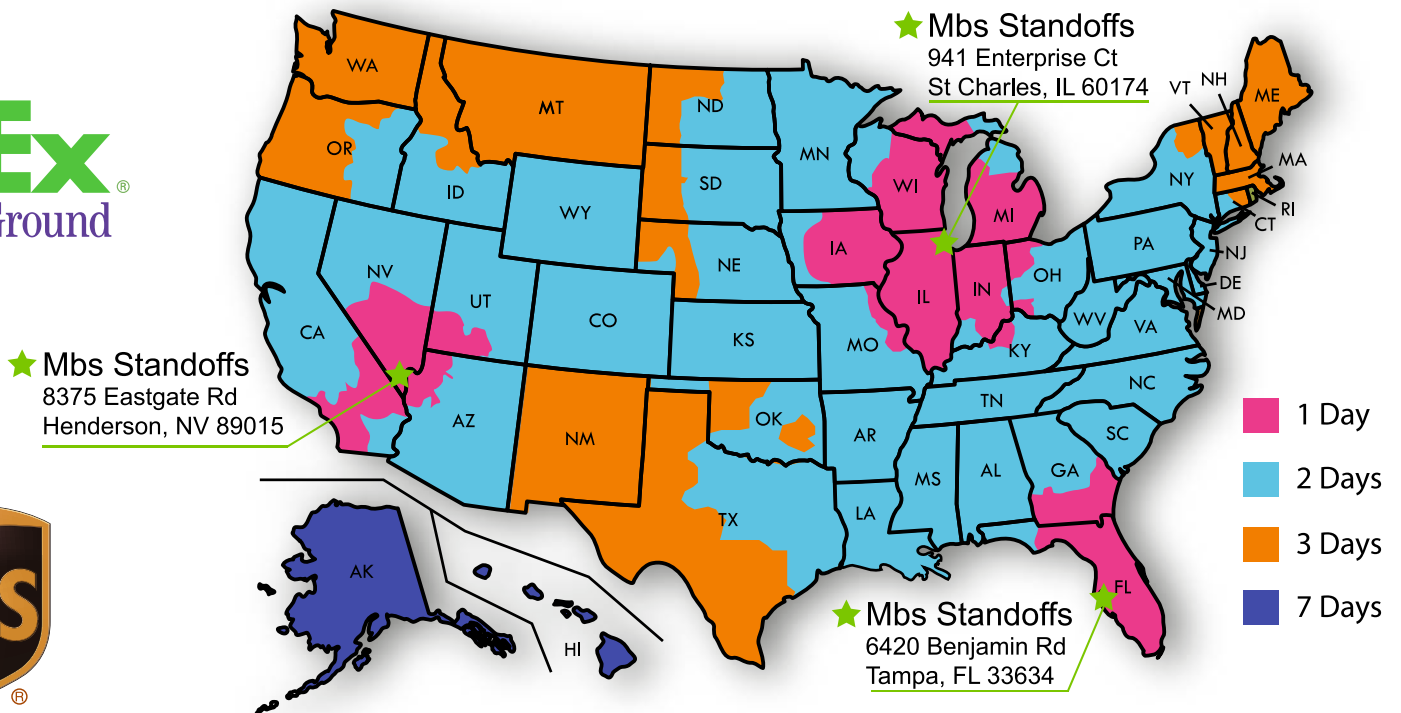


We Now Ship Orders Same Day From:

- Las Vegas, NV for the West Coast

- Tampa, FL for the South East Coast

- Chicago, IL for the North East Coast



Free Daily pickup and 1 to 2 days ground shipping to most States



Phone: 1-813-938-6025

Fax: 1-813-425-9007

mbs-standoffs.com
sales@mbs-standoffs.com

HQ Address:

6420 Benjamin Road
Tampa, FL 33634
Phone: 1-813-938-6025

Las Vegas Address:

8375 Eastgate Rd
Henderson, NV 89015
Phone: 1-213-769-4010

Chicago Address:

941 Enterprise Ct
St Charles, IL 60174
Phone: 1-917-728-1182