

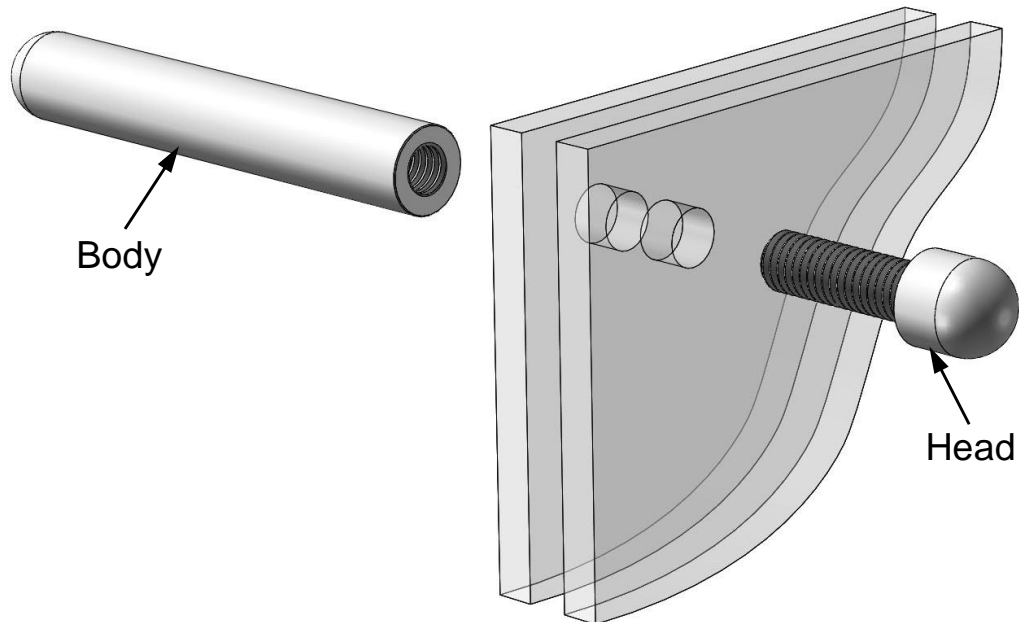
Installation Guidelines

Batch 3



1 Use the holes in your material as a template to mark holes on your mounting surface.

2 Pre-drill 1/4" holes in your surface, then insert nylon anchors into the holes and tap them flush.



4 Screw threaded studs into your barrels, then place your panel in position and thread on caps until snug.

3 Using the included tool, drive your hanger screws into the nylon anchors, then tighten barrels to surface.