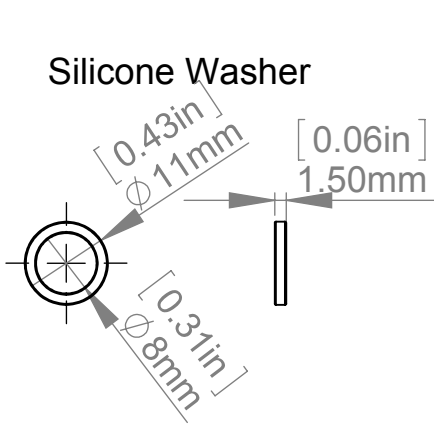


**SECTION A-A**

**SECTION B-B**

Silicone Washer



Item	Qty.	Description
1	1	AL12-25 Body (12x20)
2	1	AL12 Head
3	2	AL12 Washer

Title : <b>AL12-25</b>		Scale : 1:1		Mbs R&D	
Material:		Sizes : Letter Landscape		Customer:	
N°programme laser		Finish		Qty :	Rep :
N°prog. Mécanum.		N° Plan : AL12-25			


 MBS Sign USA  
 Tel.: 352-593-4151  
 Fax: 352-796-4437  
 Brooksville, FL