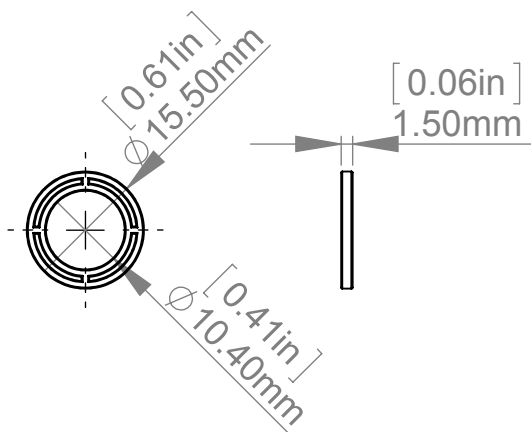


Silicon Washer



Item	Qty.	Description
[1]	1	AL16-50 (M10) Body (16x45)
[2]	1	AL16 (M10) Head
[3]	2	AL16 (M10) Washer

Title : AL16-50		Scale : 1:1		Mbs R&D	
MBS USA		Material:		Customer:	
		N°programme laser		Qty : Rep :	
		N°prog. Mécanum.		N° Plan : AL16-50	