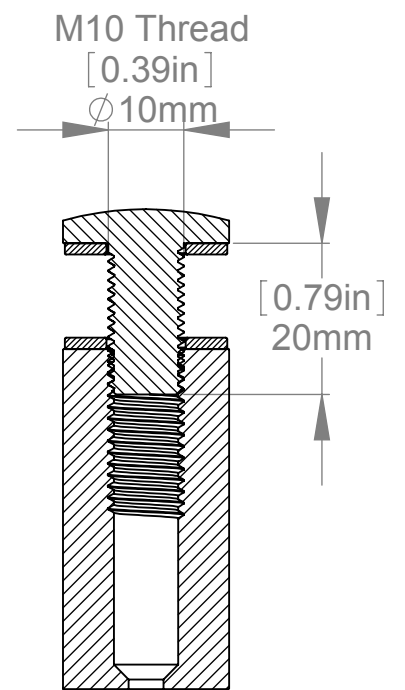
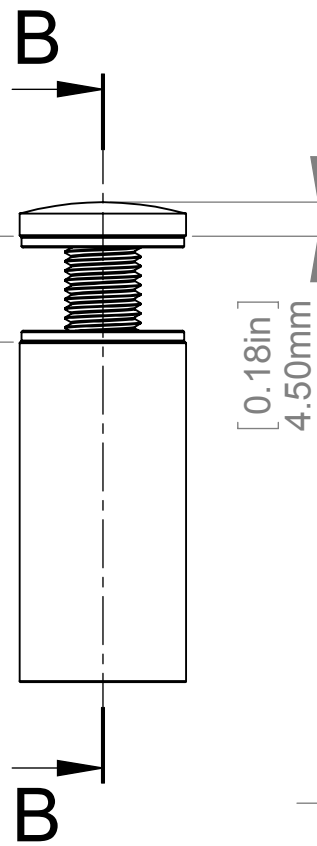
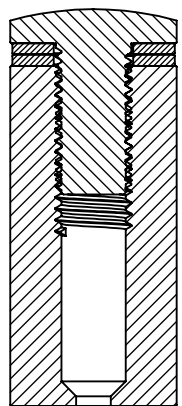


[0.55in]  
14mm  
Maximum  
Thickness

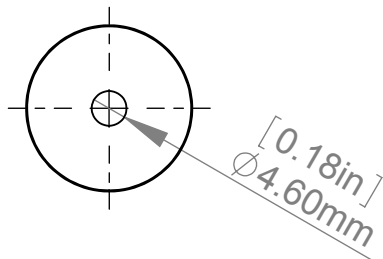


SECTION B-B




[0.18in]  
Ø4.60mm

SECTION A-A



Item	Qty.	Description
1	1	AL22-50 Body (22x45)
2	1	AL22 Head
3	2	AL22 Washer

Title : <b>AL22-50</b>		Scale : 1:1		Mbs R&D	
Material:		Finish		Customer:	
N°programme laser		N°prog. Mécanum.		Qty :	Rep :
 MBS USA				N° Plan : AL22-50	