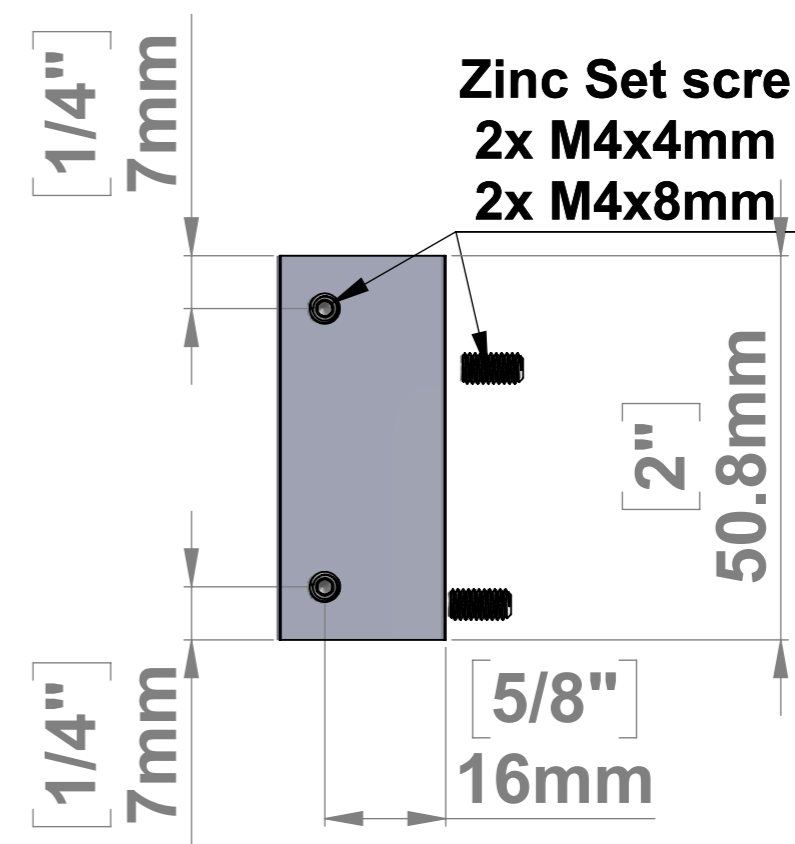
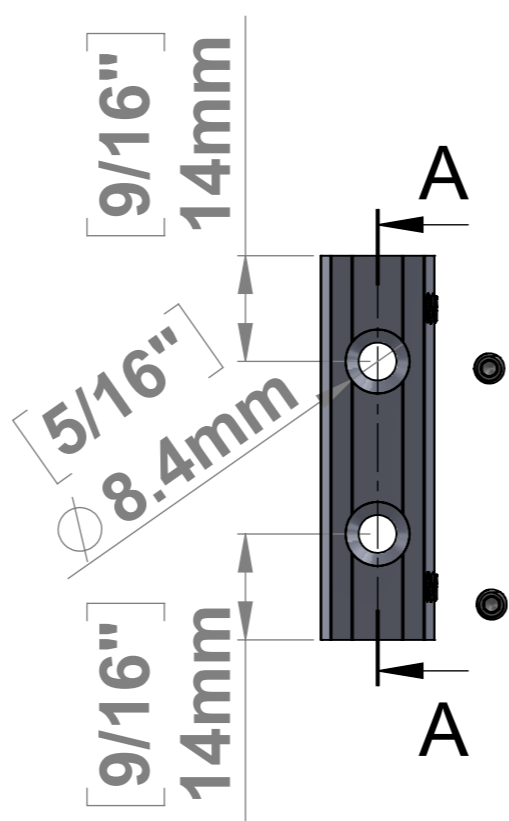


SECTION A-A



Zinc Set scre
2x M4x4mm
2x M4x8mm

Part need to be cut and get all CNC work before to do Anodization

Title : APM14-2			Scale : 3.5:1	Mbs R&D
			Sizes : Letter Landscape	Customer:
 Htm-Mbs 5046 W Linebaugh Tampa, FL 33624 T:1-813-938-6025	Material: Cast Acrylic	Finish: Clear Polished Edges	Qty: Set of 2	Rep :
	N°programme laser	N°prog. Mécanum.	N° Plan : APM14-2	