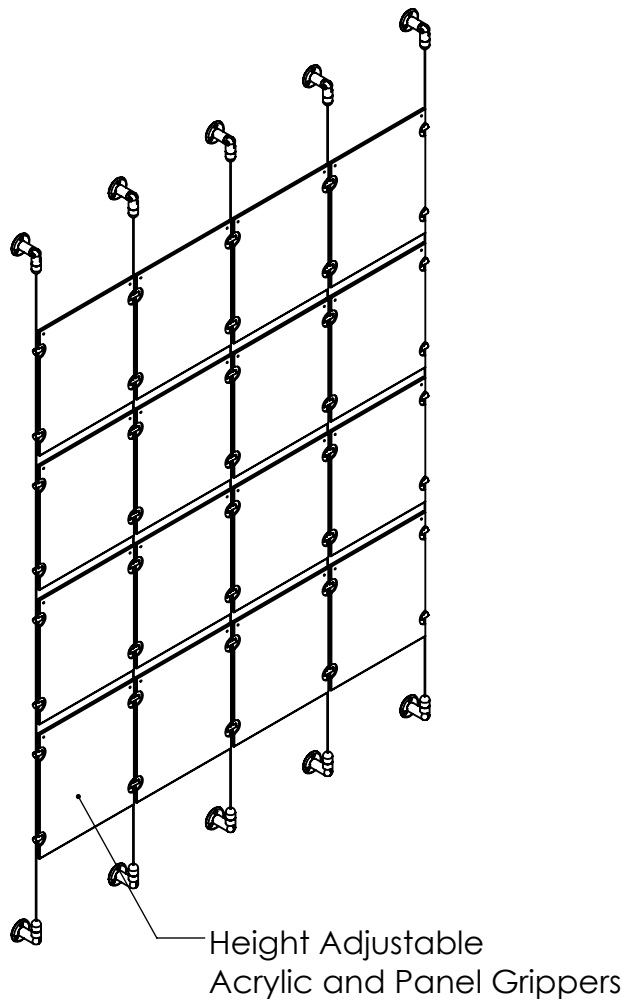


2

1

B

B



Length Up To  
[157"]  
3990mm

[10"]  
254.5mm

[40 1/16"]  
1018.0mm

Acrylic For Media  
8-1/2" X 11"

A

A

2

1



**Mbs Standoffs**  
5046 W Linebaugh Ave  
Tampa, FL 33624 USA  
(813) 938-6025

ASSEMBLY NO.

**CS15A-8511-A4X4**

SCALE: 1:14

SHEET 1 OF 1