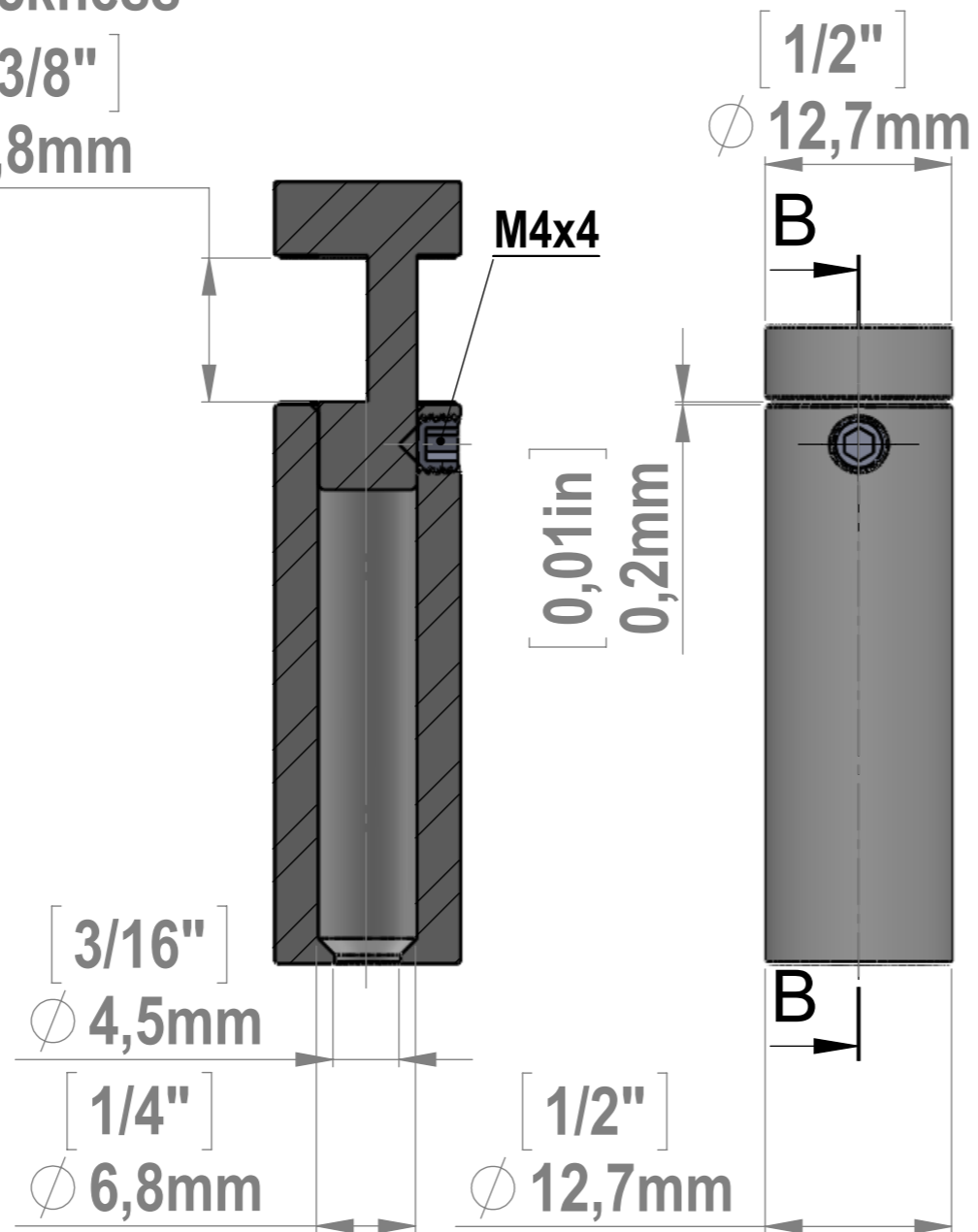


Maximum Thickness

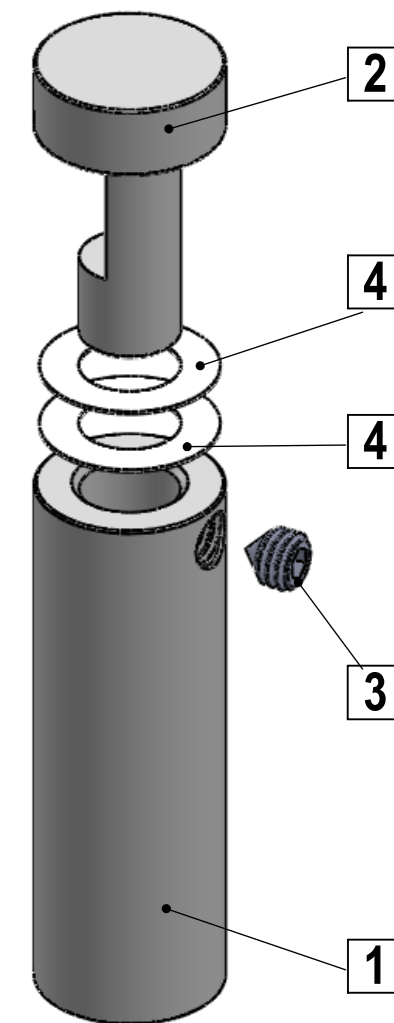
3/8" 9,8mm



SECTION A-A  
SCALE 2 : 1

SECTION B-B  
SCALE 2 : 1

ITEM NO.	PART NUMBER	DESCRIPTION	QTY.
1	EG050-150_Body		1
2	EG050-075_Head		1
3	Set_Screw_M4x4mm		1
4	EG050_Nylon-Washer		2



Title : EG050-150		Scale : 2:1		Mbs R&D	
		Sizes : Letter Landscape		Customer:	
Material:		Finish		Qty :	Rep :
N°programme laser		N°prog. Mécanum.		N° Plan : EG050-150	