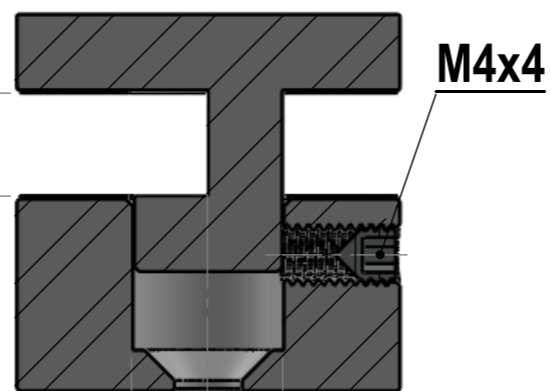


Maximum Thickness

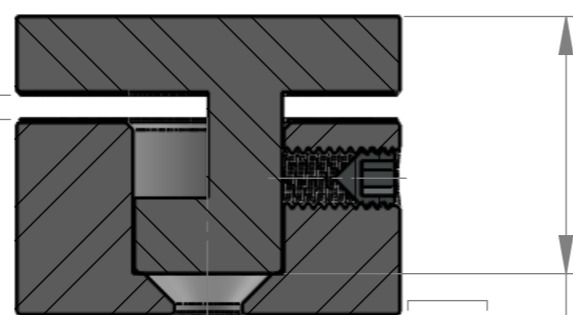
$\left[\frac{1}{4} \right]$
6,8mm

Minimum Thickness

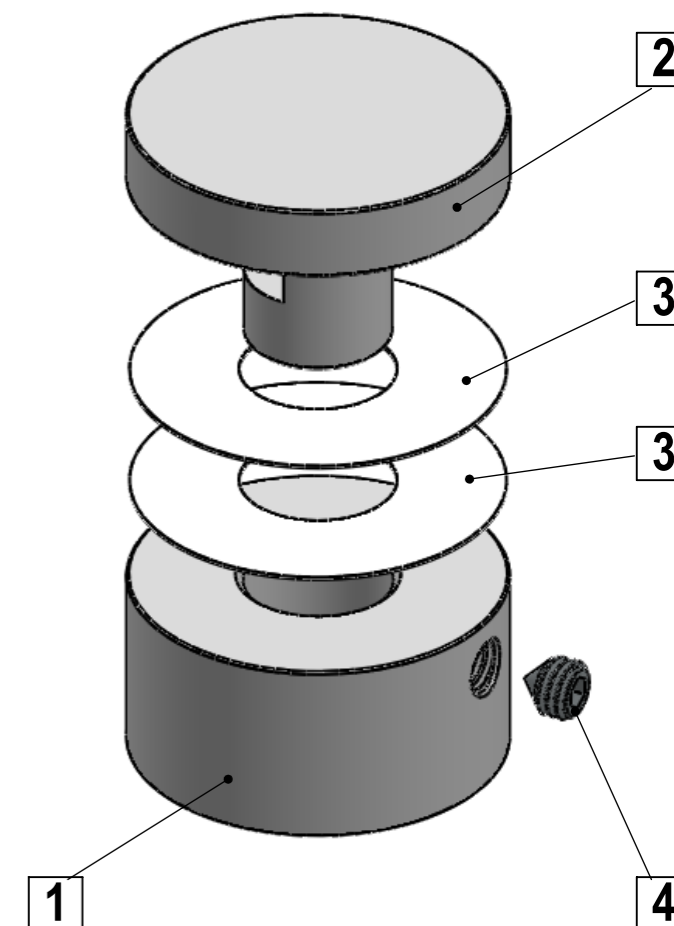
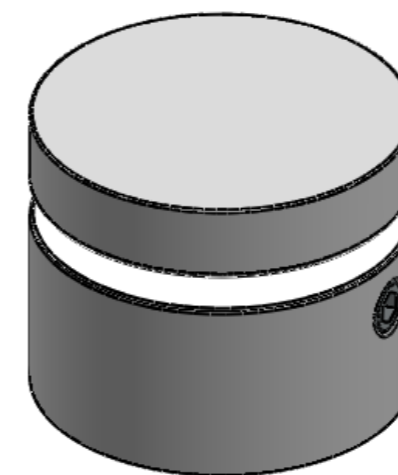
$\left[\frac{1}{16} \right]$
1,6mm



SECTION A-A



SECTION B-B



ITEM NO.	PART NUMBER	DESCRIPTION	QTY.
1	EG100-050_Body		1
2	EG100-050_Head		1
3	EG100_Nylon-Washer		2
4	Set_Screw_M4x4mm		1

Title : EG100-050		Scale : 2:1		Mbs R&D	
		Sizes : Letter Landscape		Customer:	
Material:		Finish		Qty :	Rep :
N°programme laser		N°prog. Mécanum.		N° Plan : EG100-050	



Mbs Standoffs
6420 Benjamin Rd
Tampa, FL 33634
USA
813-938-6025