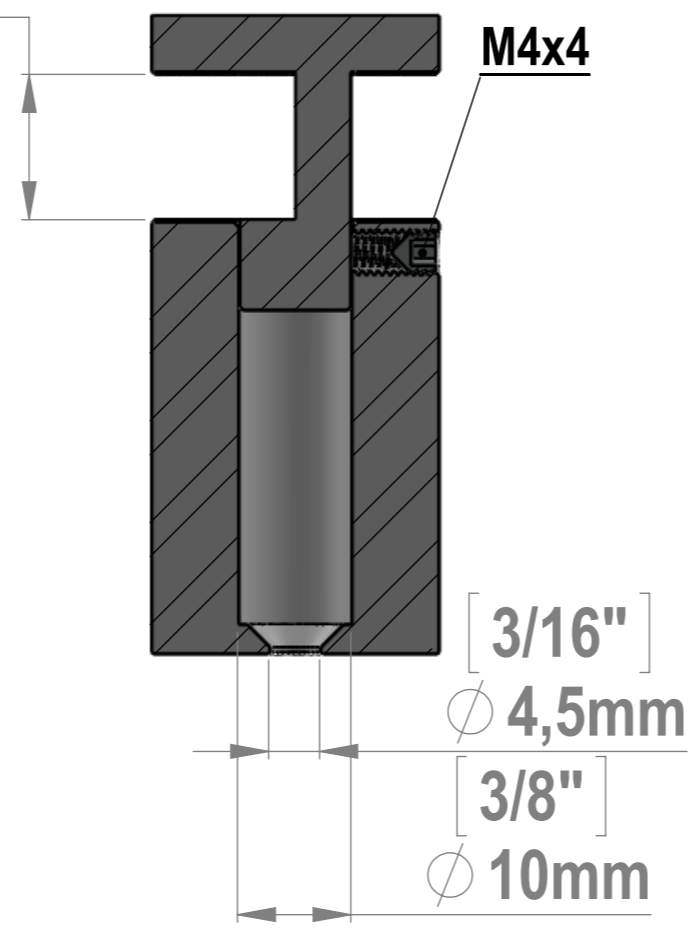
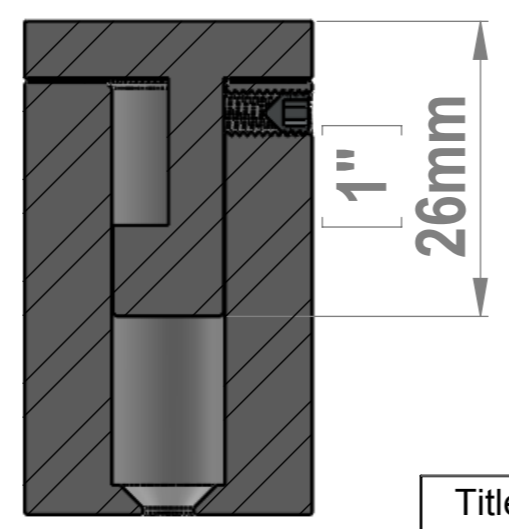


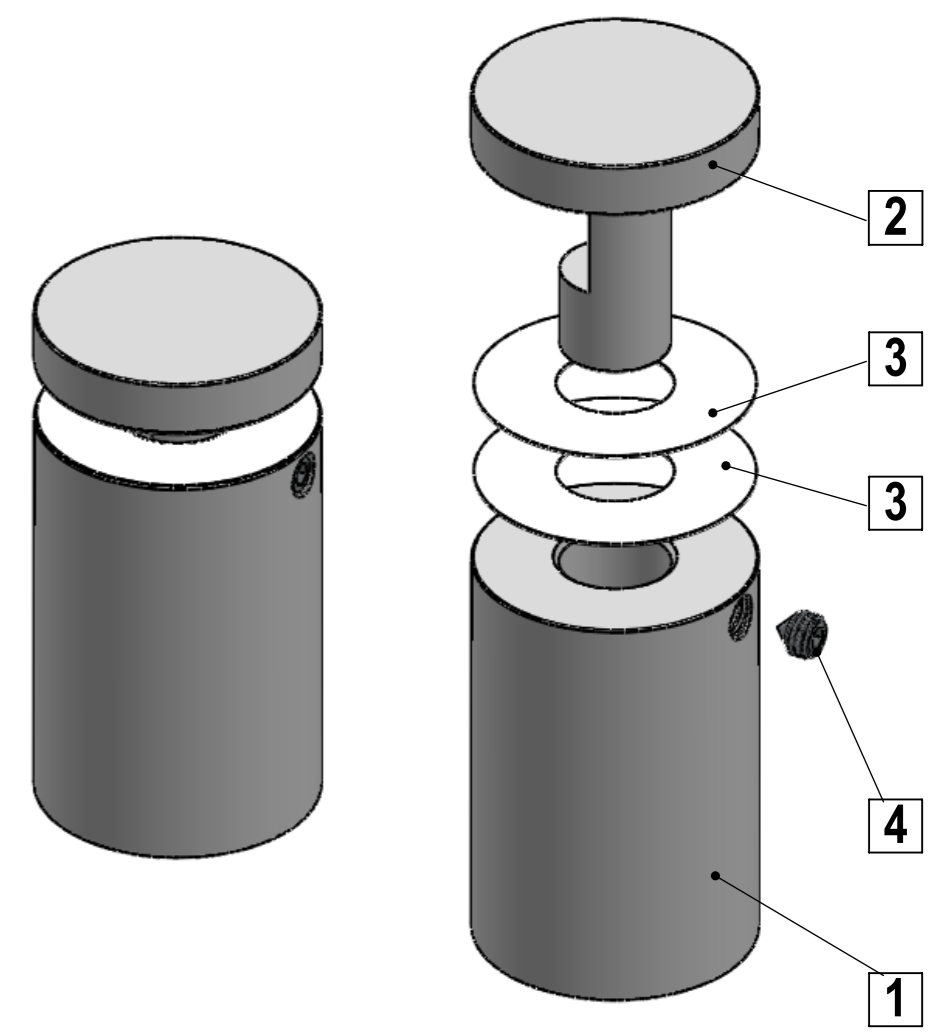
Maximum Thickness
 $\left[\frac{1}{2} \right]$
 12,8mm



SECTION A-A
 SCALE 1.5 : 1




SECTION B-B
 SCALE 1.5 : 1



ITEM NO.	PART NUMBER	DESCRIPTION	QTY.
1	EG100-150_Body		1
2	EG100-100_Head		1
3	EG100_Nylon-Washer		2
4	Set_Screw_M4x4mm		1

Title : EG100-150		Scale : 1.5:1	Mbs R&D	
		Sizes : Letter Landscape	Customer:	
Material:		Finish	Qty :	Rep :
N°programme laser		N°prog. Mécanum.	N° Plan : EG100-150	


 Mbs Standoffs
 6420 Benjamin Rd
 Tampa, FL 33634
 USA
 813-938-6025