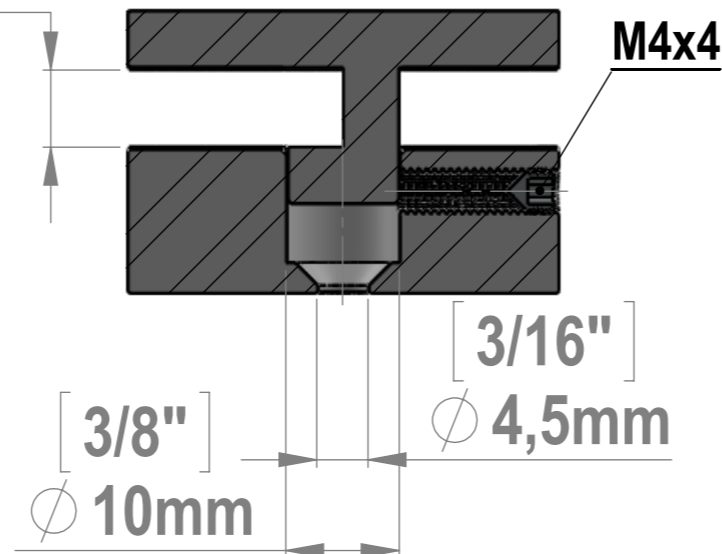


Maximum Thickness

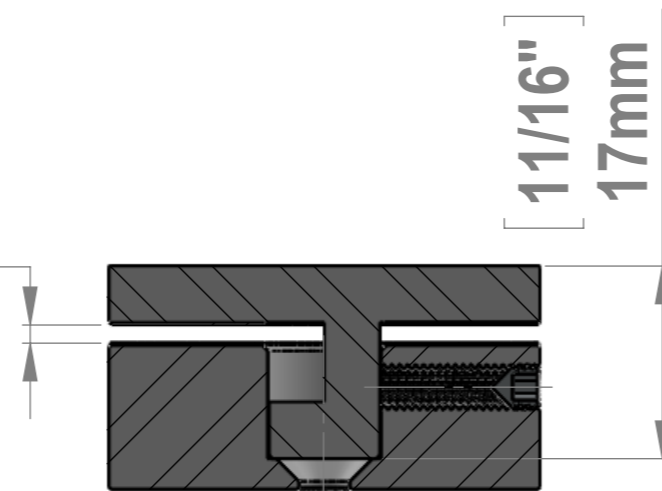
1/4" 6,8mm



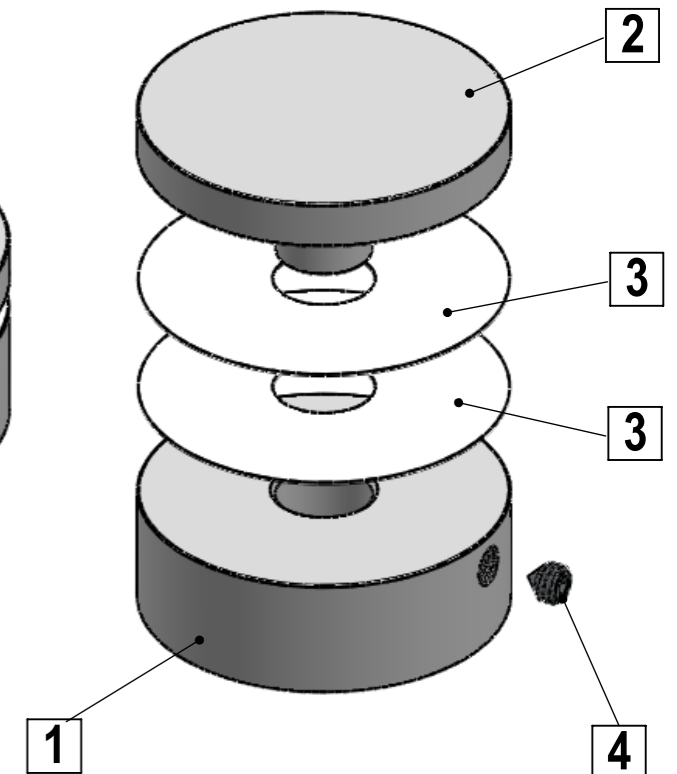
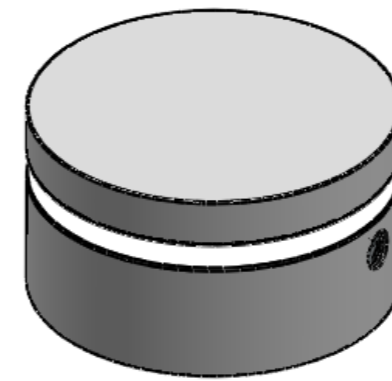
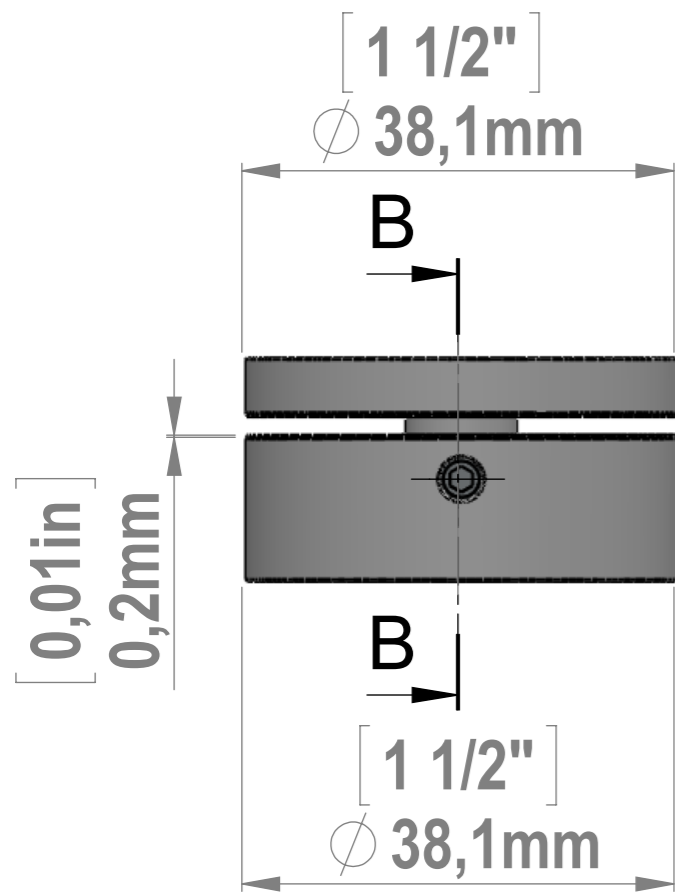
SECTION A-A  
SCALE 1.5 : 1

Minimum Thickness

1/16" 1,6mm



SECTION B-B  
SCALE 1.5 : 1



ITEM NO.	PART NUMBER	DESCRIPTION	QTY.
1	EG150-050_Body		1
2	EG150-050_Head		1
3	EG150_Nylon-Washer		2
4	Set_Screw_M4x4mm		1

Title : EG150-050			Scale : 1.3:1	Mbs R&D	
			Sizes : Letter Landscape	Customer:	
Mbs Standoffs 6420 Benjamin Rd Tampa, FL 33634 USA 813-938-6025		Material:	Finish	Qty :	Rep :
N°programme laser		N°prog. Mécanum.	N° Plan : EG150-050		