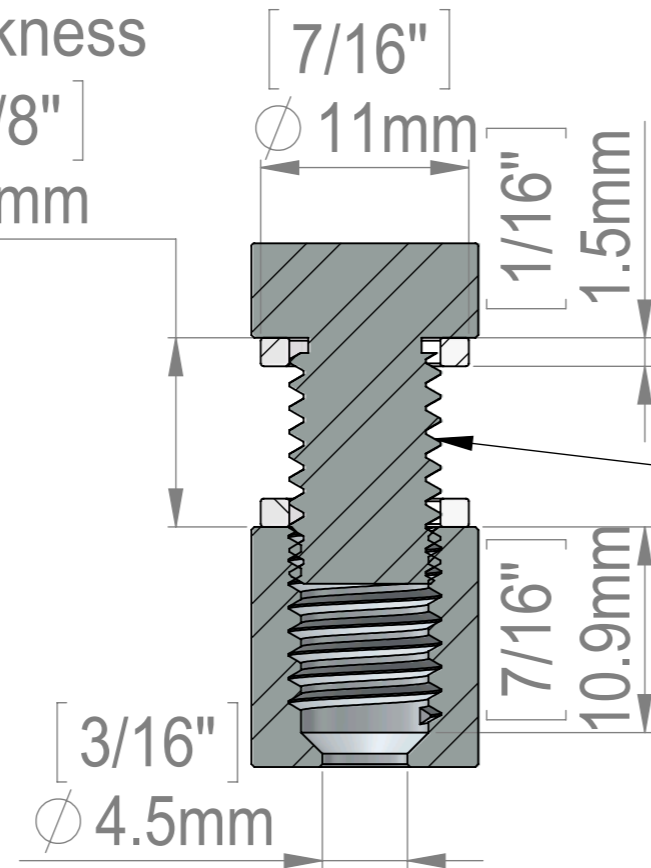
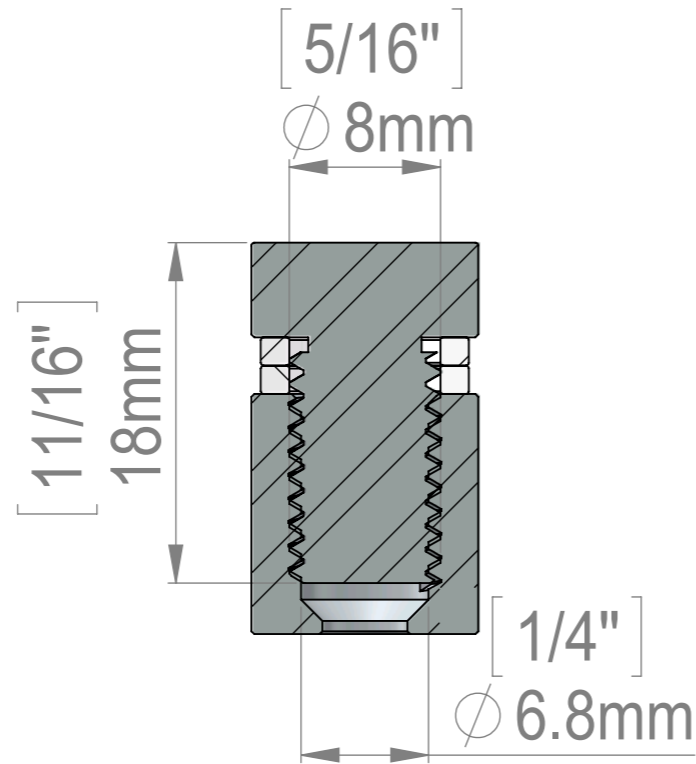
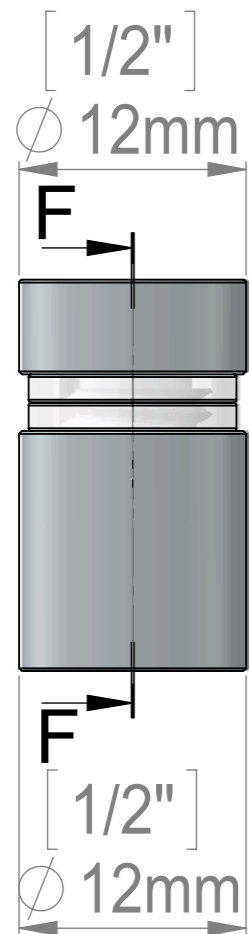


Maximum Thickness
 [3/8"]
 10mm

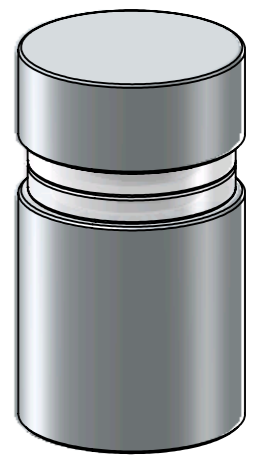
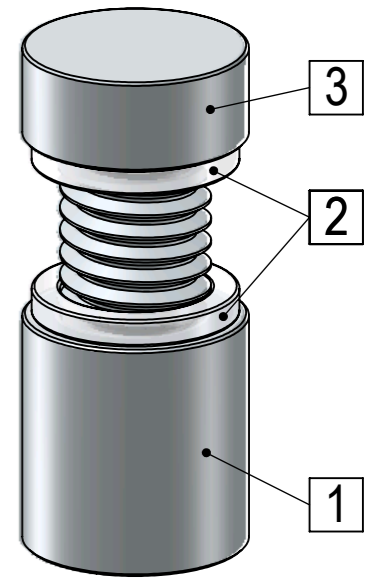


Attention
 Reverse Threaded
 For Tamper Proof Purposes

SECTION E-E
 SCALE 2.5 : 1
 M8 Thread



SECTION F-F
 SCALE 2.5 : 1



ITEM NO.	PART NUMBER	DESCRIPTION	QTY.
1	FAH12-12_Body-12x12-Reverse_Thread		1
2	FAH12_Washer		2
3	HM1101A(FHA12-12)-Reverse_Thread		1

Title : FAH12-12		Scale : 2.5:1		Mbs R&D	
		Sizes : Letter Landscape		Customer:	
Mbs Standoffs 6420 Benjamin Rd Tampa, FL 33634 USA 813-938-6025		Material:		Qty : Rep :	
N°programme laser		N°prog. Mécanum.		N° Plan : FAH12-12	