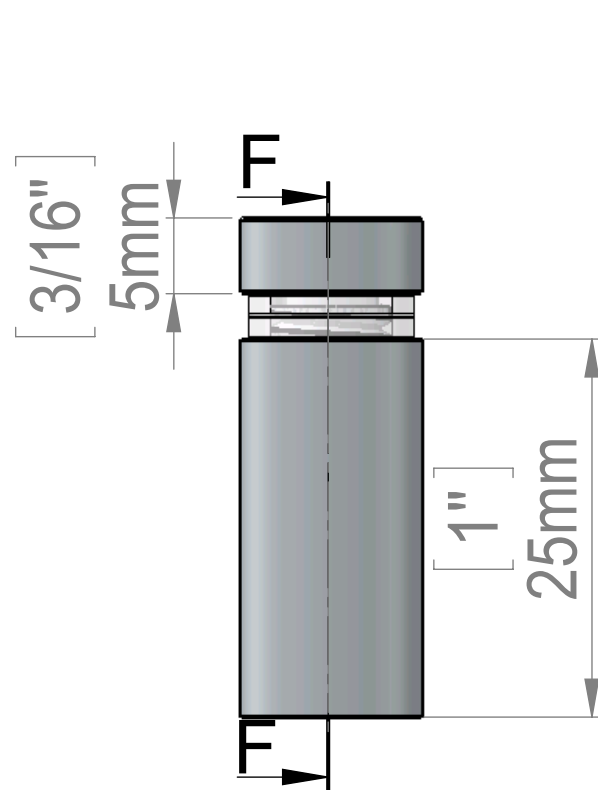
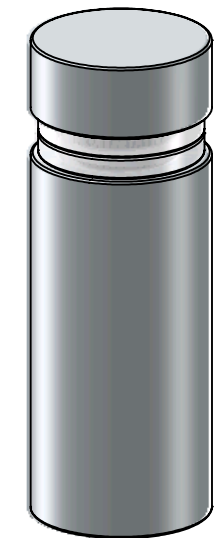
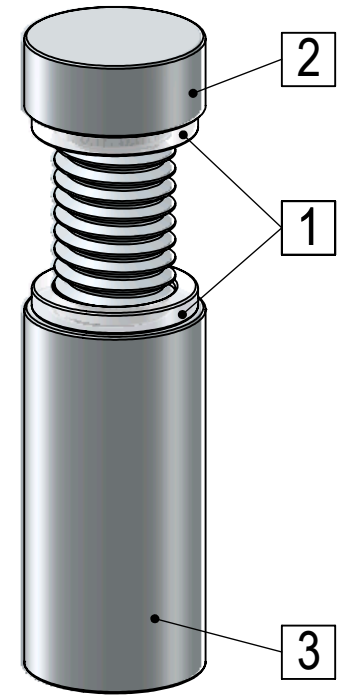


SECTION E-E
SCALE 2 : 1
M8 Thread



SECTION F-F
SCALE 2 : 1

Attention
Reverse Threaded
For Tamper Proof Purposes



ITEM NO.	PART NUMBER	DESCRIPTION	QTY.
1	FAH12_Washer		2
2	HM1102A(FHA12-25)-Reverse_Thread		1
3	FAH12-30_Body-12x25-Reverse_Thread		1

Title : FAH12-30		Scale : 2:1		Mbs R&D	
		Sizes : Letter Landscape		Customer:	
Mbs Standoffs 6420 Benjamin Rd Tampa, FL 33634 USA 813-938-6025		Material:		Qty : Rep :	
N°programme laser		N°prog. Mécanum.		N° Plan : FAH12-30	