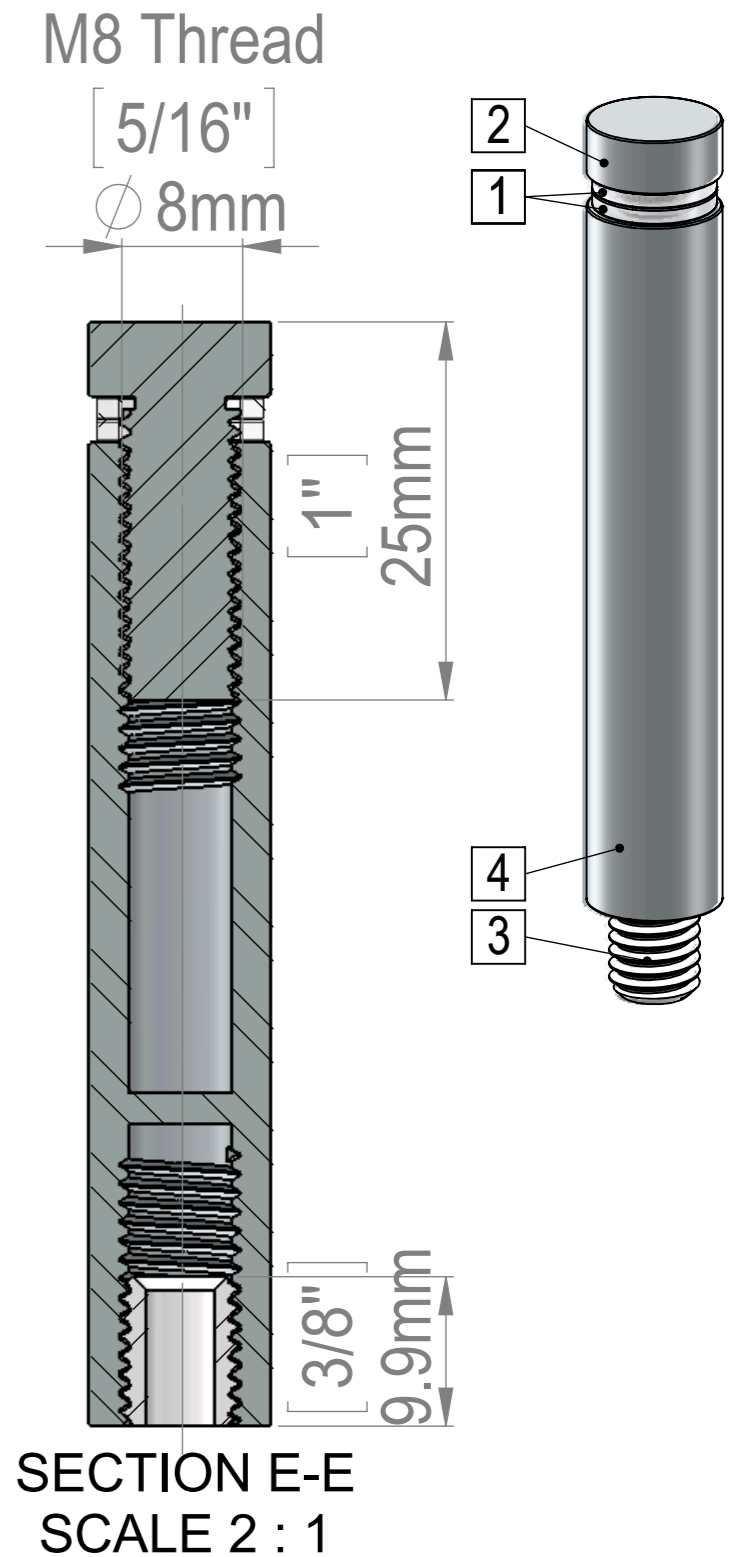


Attention
Reverse Threaded
For Tamper Proof Purposes



ITEM NO.	PART NUMBER	DESCRIPTION	QTY.
1	FAH12_Washer		2
2	HM1102A(FHA12-25)-Reverse_Thread		1
3	M8x10mm-Screw		1
4	FAH12-70_Body-12x65-Reverse_Thread		1

Title : FAH12-70		Scale : 1.5:1		Mbs R&D	
		Sizes : Letter Landscape		Customer:	
Material:		Finish		Qty :	Rep :
N°programme laser		N°prog. Mécanum.		N° Plan : FAH12-70	