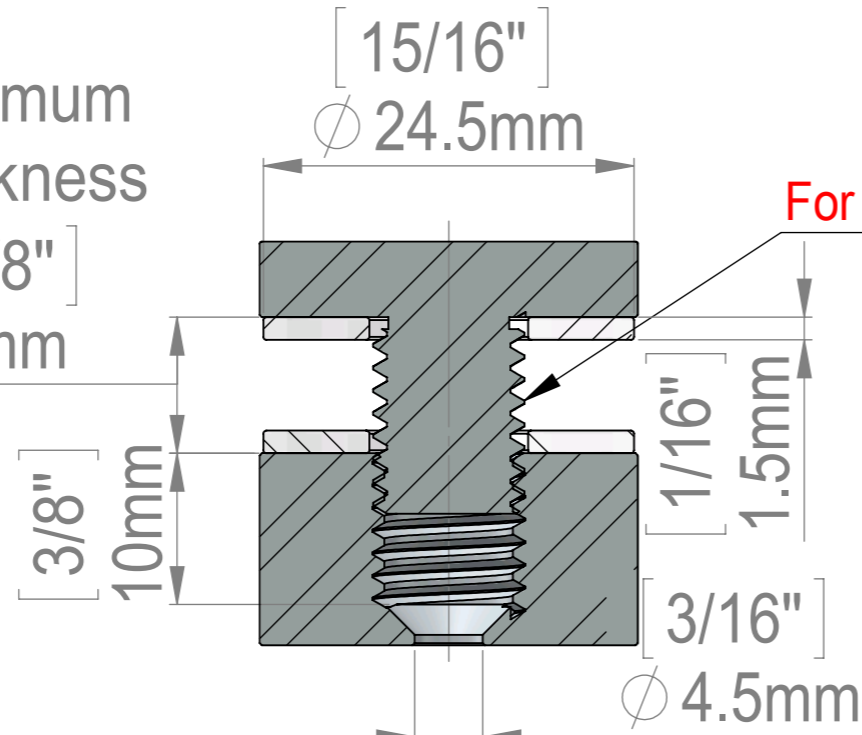
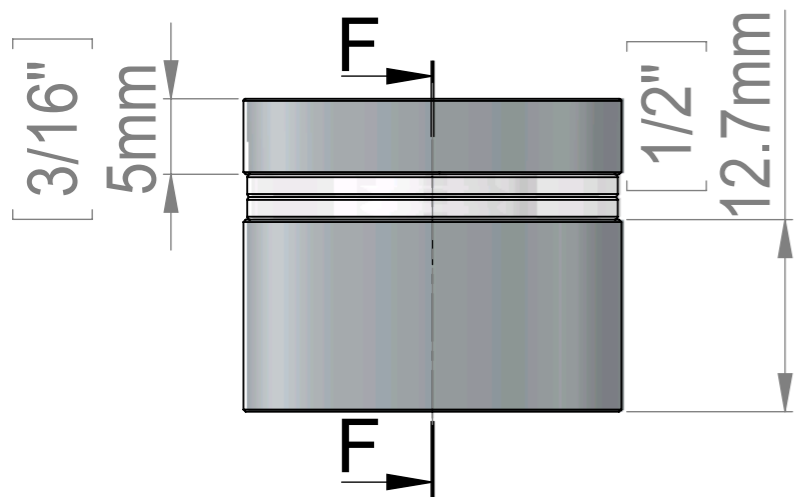
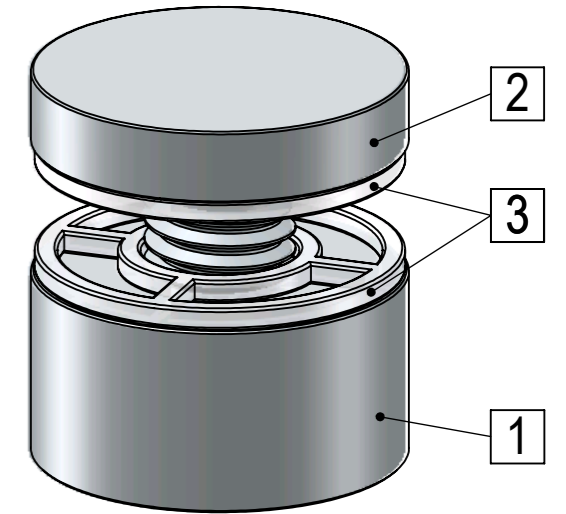


Maximum Thickness  
 $\left[ \frac{3}{8}'' \right]$   
 9mm

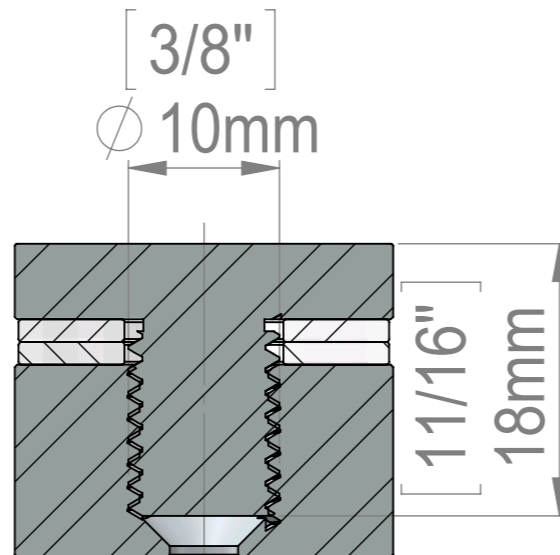


SECTION E-E  
 SCALE 2 : 1

Attention  
 Reverse Threaded  
 For Tamper Proof Purposes



M10 Thread



SECTION F-F  
 SCALE 2 : 1

ITEM NO.	PART NUMBER	DESCRIPTION	QTY.
1	FAH25-12_Body-25x12-Reverse_Thread		1
2	HM1121A(FHA25-12)-Reverse_Thread		1
3	FAH25_Washer		2

Title : FAH25-12		Scale : 2:1	Mbs R&D	
		Sizes : Letter Landscape	Customer:	
Material:		Finish	Qty :	Rep :
Mbs Standoffs 6420 Benjamin Rd Tampa, FL 33634 USA 813-938-6025		N°programme laser	N°prog. Mécanum.	
		N° Plan : FAH25-12		