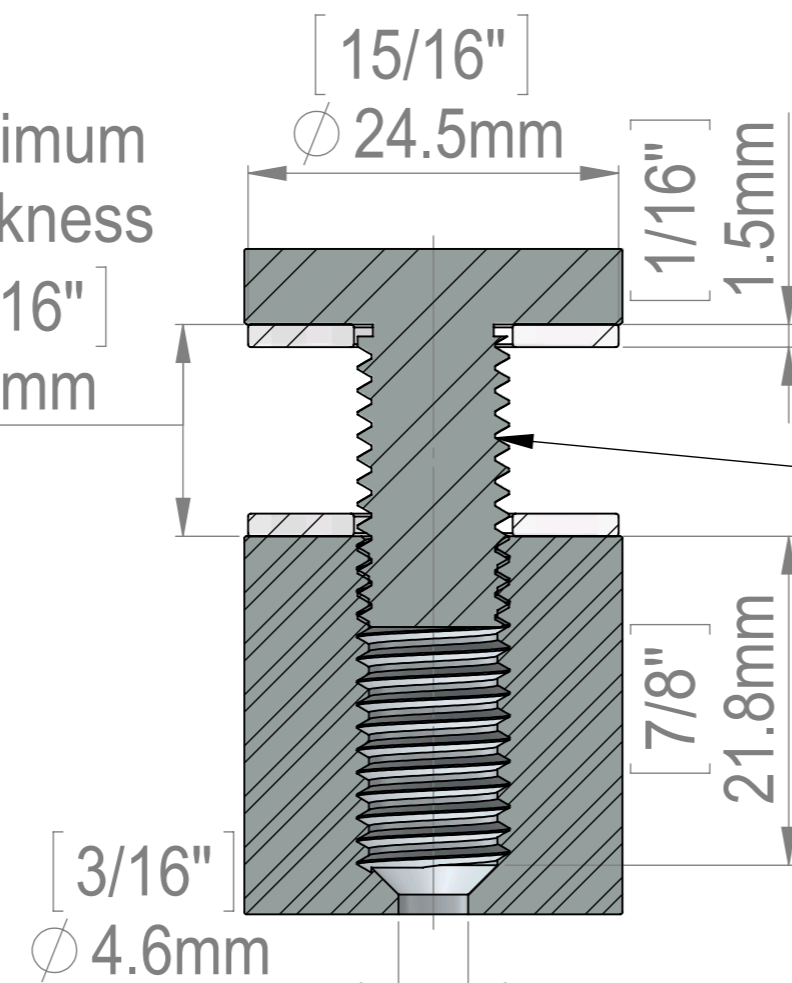
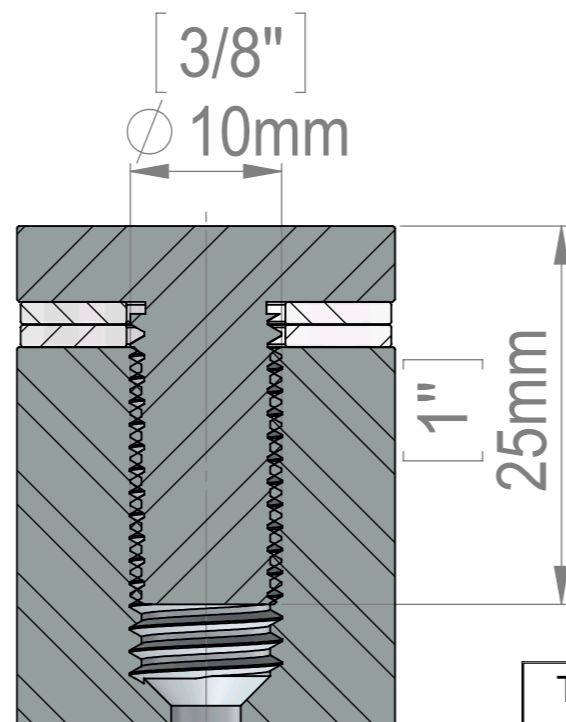
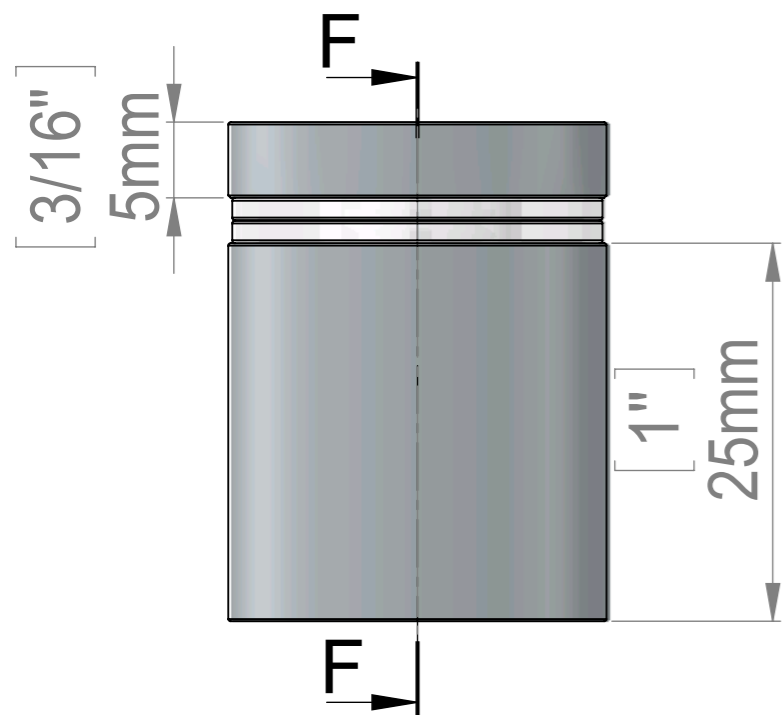
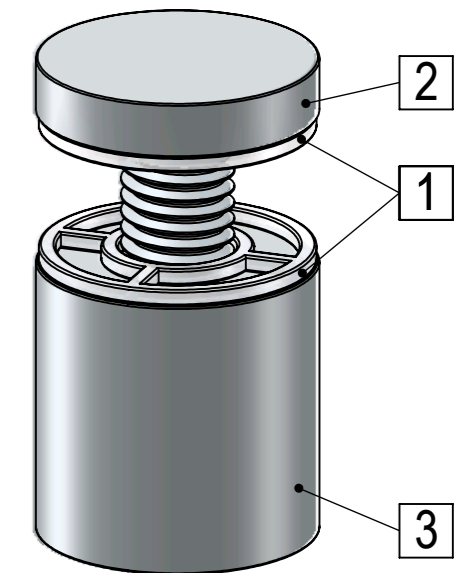


Maximum Thickness
 $[9/16"]$
 14mm

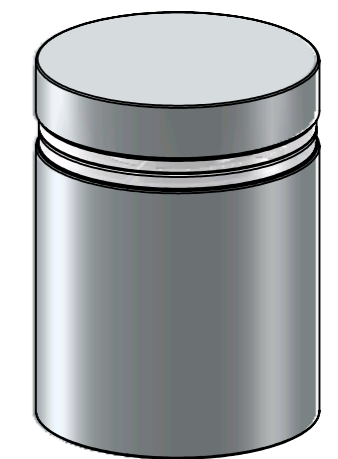


SECTION E-E
 SCALE 2 : 1
 M10 Thread

Attention
 Reverse Threaded
 For Tamper Proof Purposes



SECTION F-F
 SCALE 2 : 1



ITEM NO.	PART NUMBER	DESCRIPTION	QTY.
1	FAH25_Washer		2
2	HM1122A(FHA25-25)-Reverse_Thread		1
3	FAH25-30_Body-25x25-Reverse_Thread		1

Title : FAH25-30		Scale : 1.5:1		Mbs R&D	
		Sizes : Letter Landscape		Customer:	
Material:		Finish		Qty :	Rep :
N°programme laser		N°prog. Mécanum.		N° Plan : FAH25-30	

Mbs Standoffs
 6420 Benjamin Rd
 Tampa, FL 33634
 USA
 813-938-6025