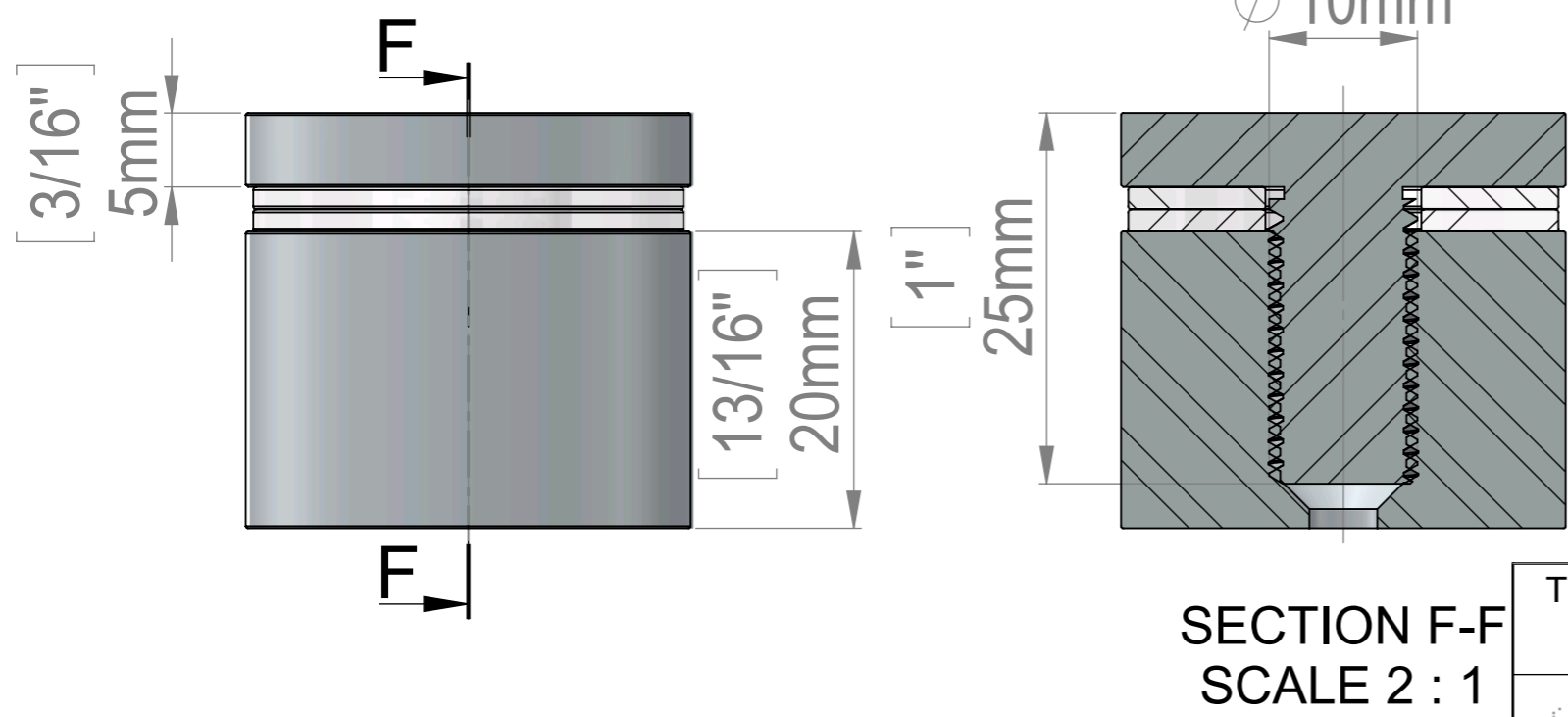
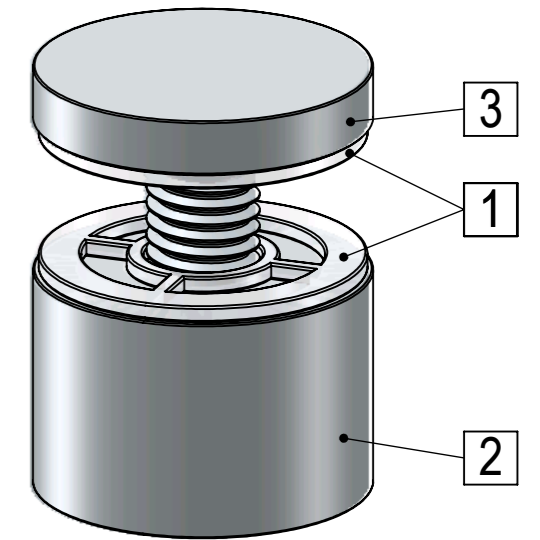
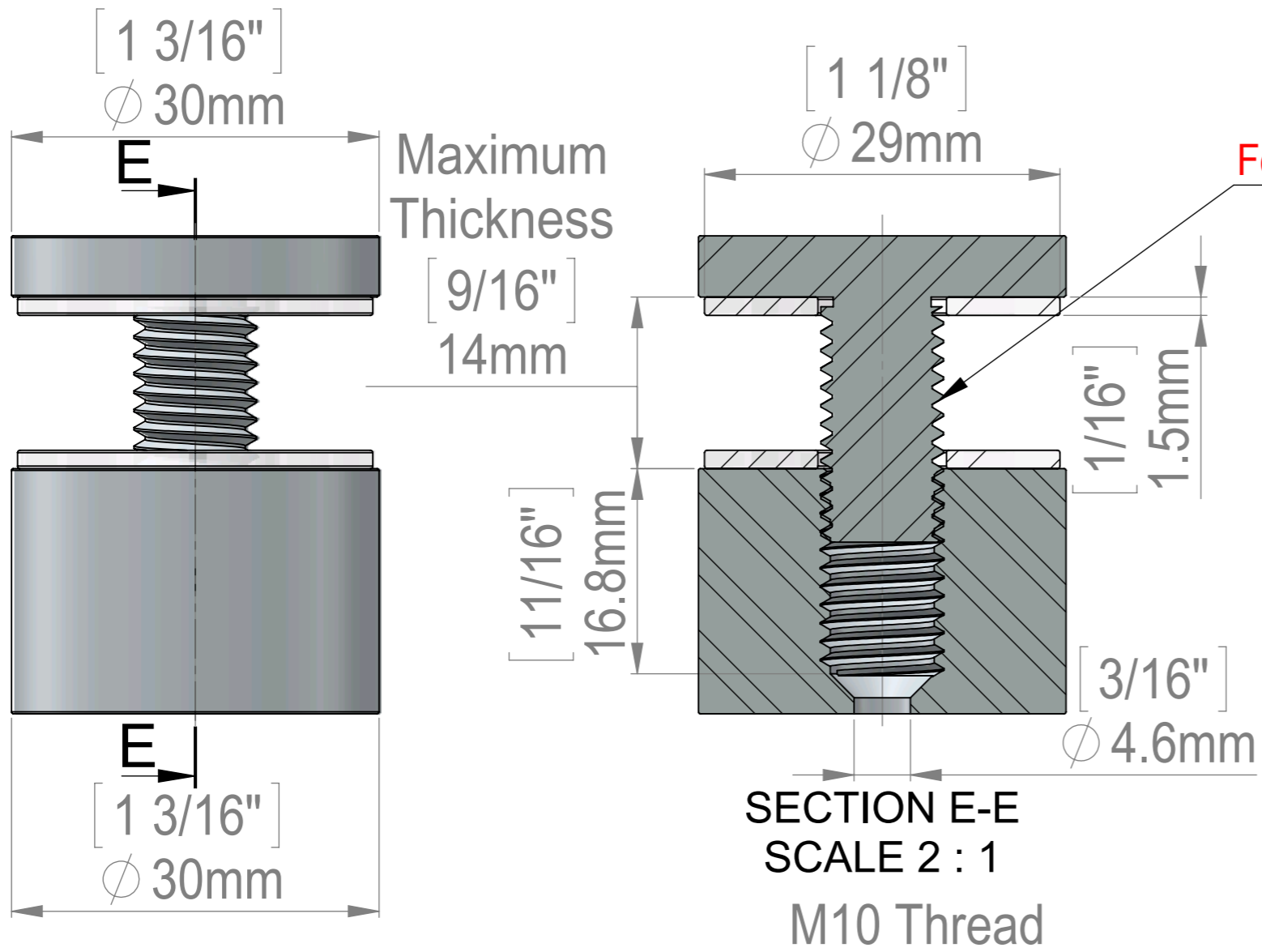


Attention
Reverse Threaded
For Tamper Proof Purposes



ITEM NO.	PART NUMBER	DESCRIPTION	QTY.
1	FAH30_Washer		2
2	FAH30-25_Body-25x20-Reverse_Thread		1
3	HM1127A(FHA30-25)-Reverse_Thread		1

Title : FAH30-25		Scale : 1.5:1		Mbs R&D	
		Sizes : Letter Landscape		Customer:	
Mbs Standoffs 6420 Benjamin Rd Tampa, FL 33634 USA 813-938-6025		Material:		Qty : Rep :	
N°programme laser		N°prog. Mécanum.		N° Plan : FAH30-25	