

6

5

4

3

2

1

D

D

C

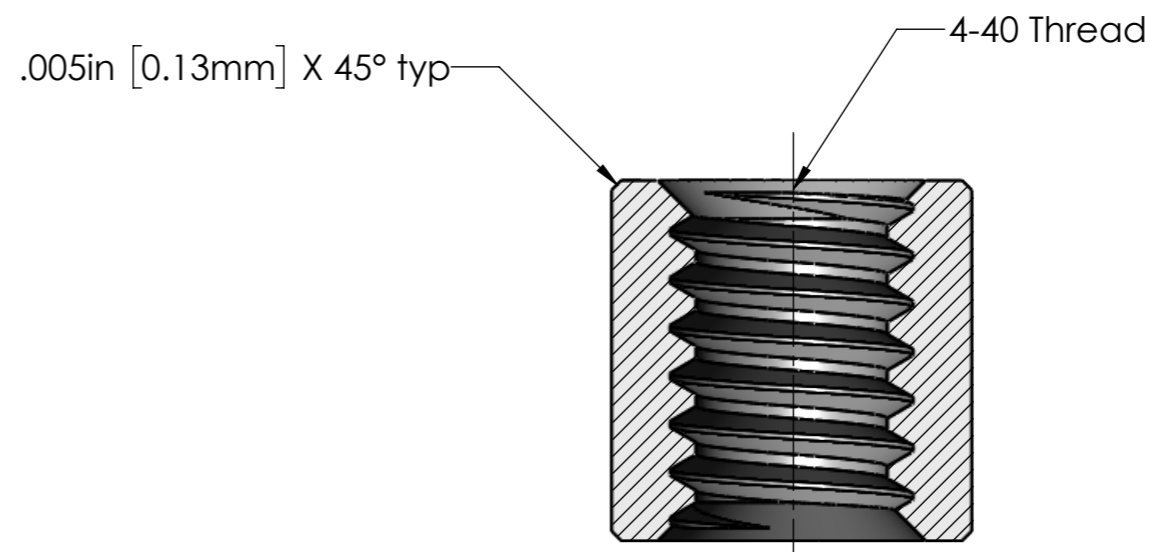
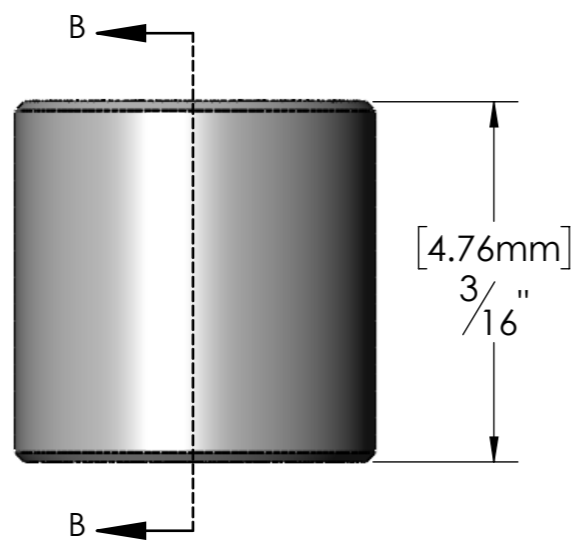
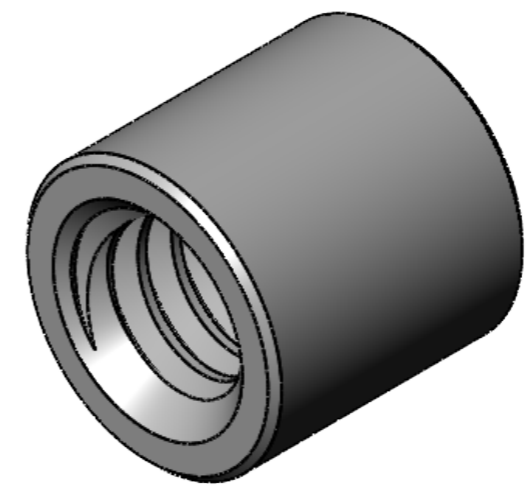
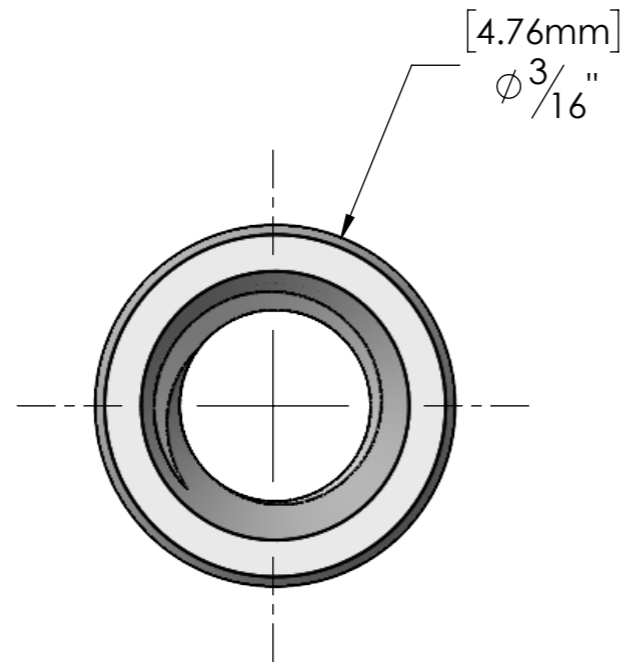
C

B



B

A

A



SECTION B-B

TITLE FC1632-440		 Tolerance : OD ± .005in [.125mm] ID ± .003in [.075mm] Length ± .005in [.125mm]	Scale: 10:1	Mbs R&D	
 Mbs Standoffs 5046 W Linebaugh Ave, Tampa, FL 33624 USA 1(813)-938-6025			Size: A3	Customer:	
		Material	Finish	Qty:	Rep:
N' Program laser		N'Prog. Mecanum	Plan:		

6

5

4

3

2

1