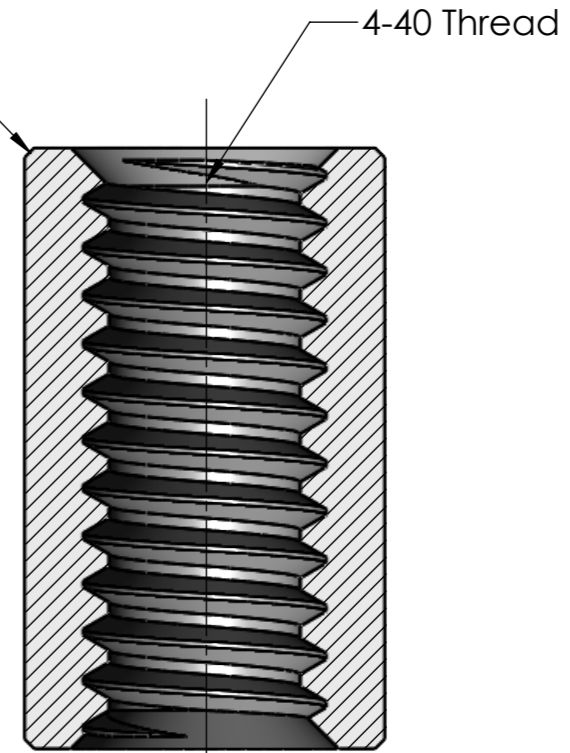




.005in [0.13mm] X 45° typ



SECTION B-B

|  |  |                 |           |      |
|--|--|-----------------|-----------|------|
| TITLE<br><b>FC1634-440</b>   | <br>Tolerance :<br>OD ± .005in [.125mm]<br>ID ± .003in [.075mm]<br>Length ± .005in [.125mm] | Scale: 10:1     | Mbs R&D   |      |
|  |  | Size: A3        | Customer: |      |
|  Mbs Standoffs<br>5046 W Linebaugh Ave,<br>Tampa, FL 33624 USA<br>1(813)-938-6025 | Material   | Finish          | Qty:      | Rep: |
|  | N' Program laser   | N'Prog. Mecanum | Plan:     |      |