

6

5

4

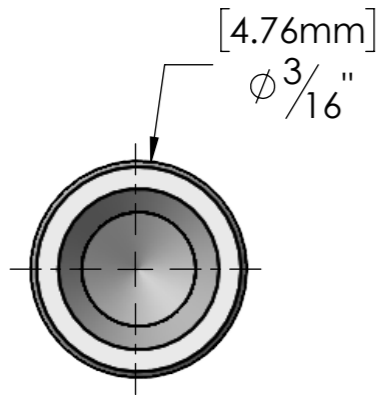
3

2

1

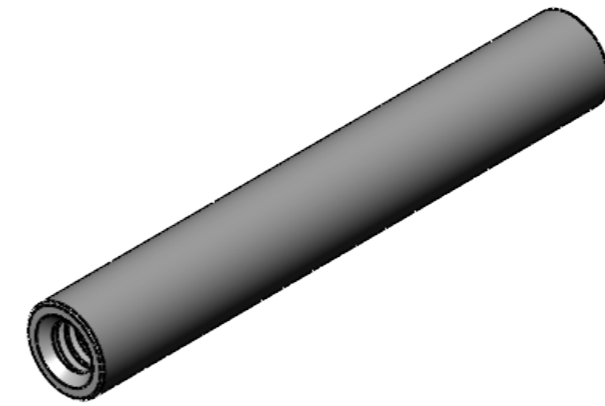
D

D



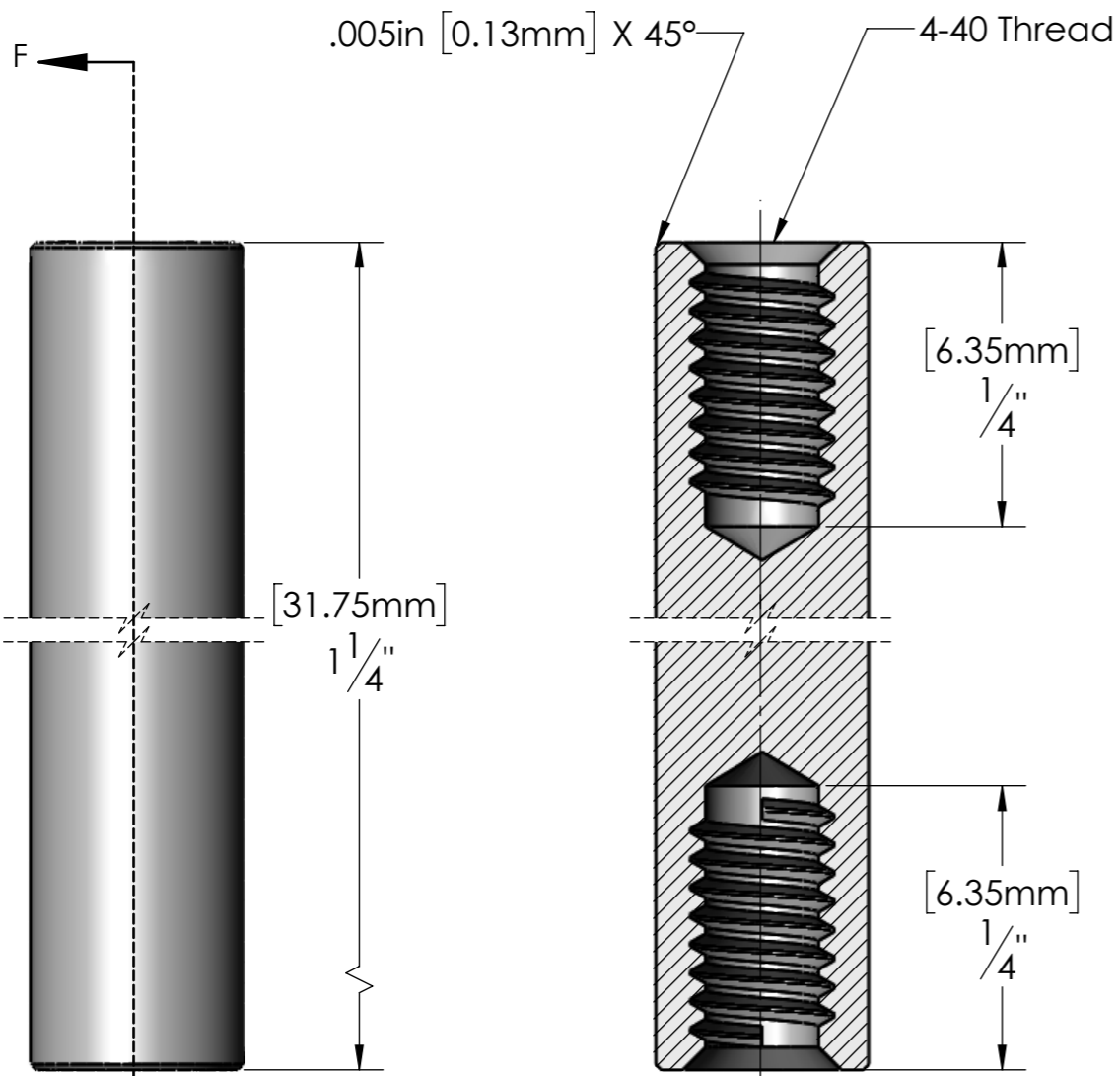
C

C



B


B



SECTION F-F

A

A

TITLE		Scale: 6:1		Mbs R&D	
FC1649-440		Size: A3		Customer:	
Tolerance : OD \pm .005in [.125mm] ID \pm .003in [.075mm] Length \pm .005in [.125mm]		Material		Qty:	
Mbs Standoffs 5046 W Linebaugh Ave, Tampa, FL 33624 USA 1(813)-938-6025		Finish		Rep:	
		N' Program laser		N'Prog. Mecanum	
				Plan:	

6

5

4

3

2

1