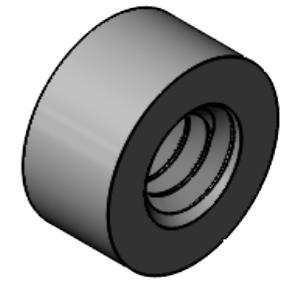
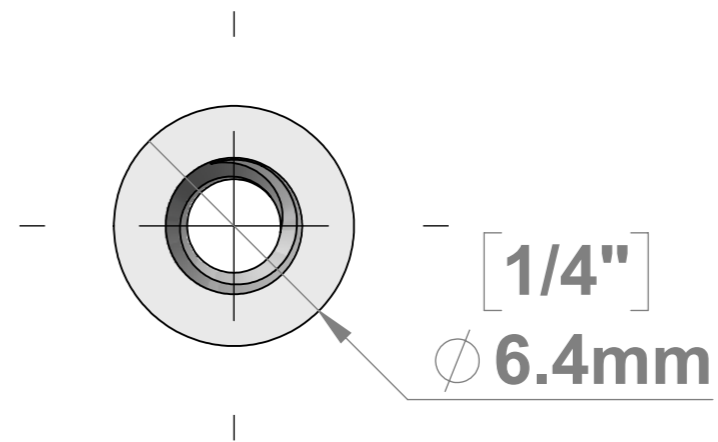
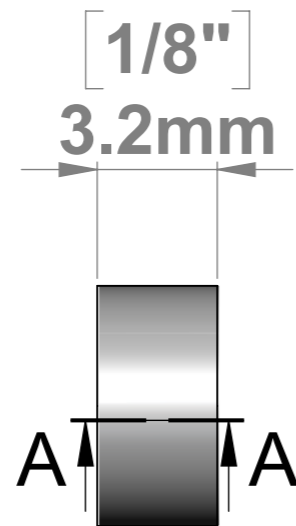




6-32 Thread



SECTION A-A
SCALE 5 : 1



| | | | | | |
|--------------------|---|-------------------|--------------------------|-----------|-------|
| Title : FC1678-632 | | | Scale : 5:1 | Mbs R&D | |
| | | | Sizes : Letter Landscape | Customer: | |
| | Mbs Standoffs 5046 W Linebaugh Ave Tampa, FL 33624 USA 1 (813) 938-6025 | Material: Nylon | Finish: Clear | Qty : | Rep : |
| | | N°programme laser | N°prog. Mécanum. | N° Plan : | |