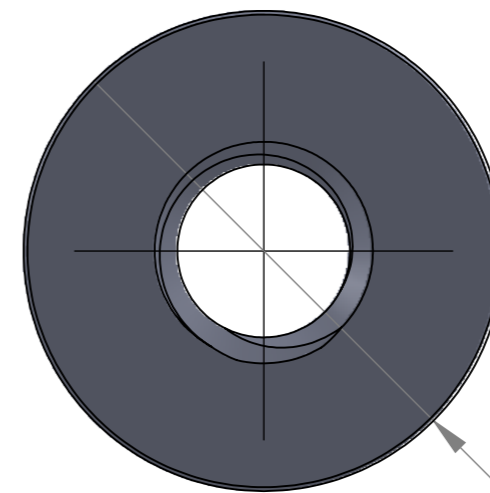
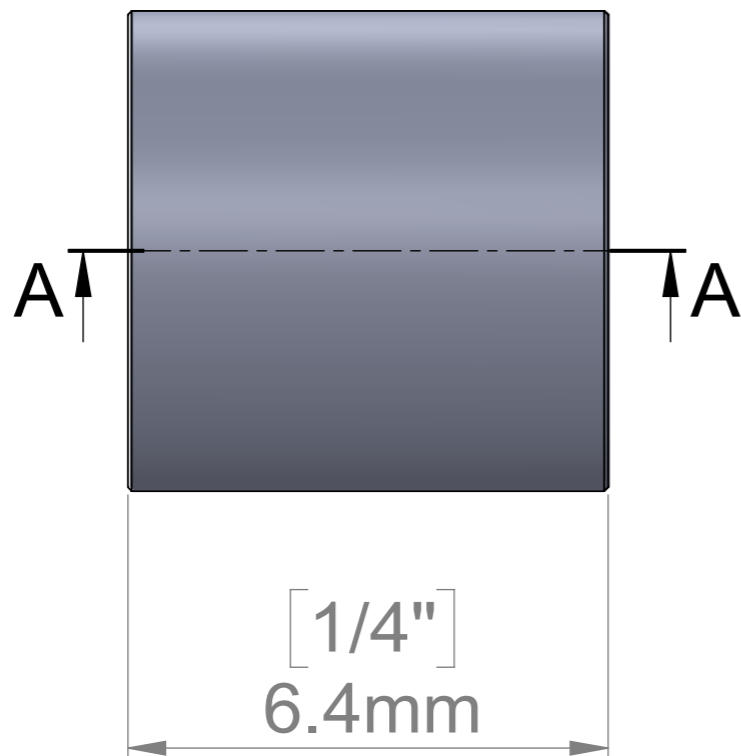
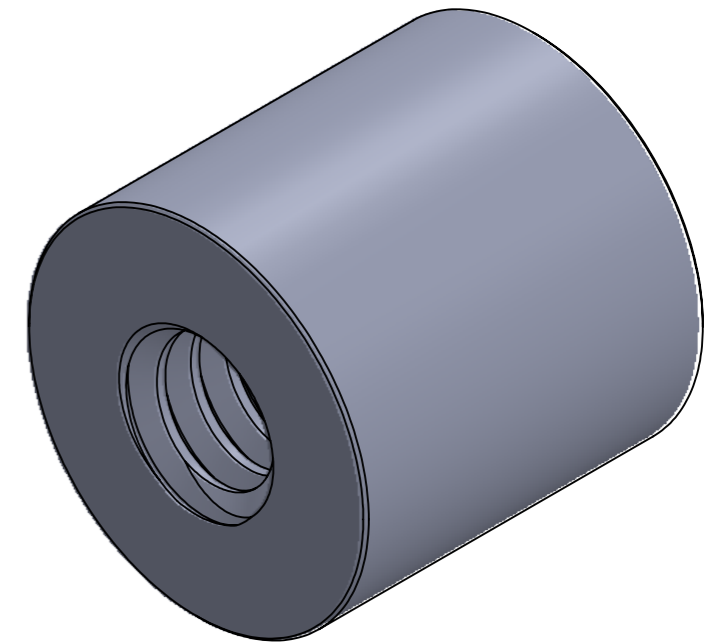


4-40 Threaded

SECTION A-A



[1/4"]  
 $\varnothing$  6.4mm

Title : FC1680-440			Scale : 2:1	Mbs R&D	
			Sizes : Letter Landscape	Customer:	
 Mbs Standoffs 5046 W Linebaugh Ave Tampa, FL 33624 USA 1 (813) 938-6025	Material:	Finish	Qty :	Rep :	
	N°programme laser	N°prog. Mécanum.	N° Plan : FAH25-12		