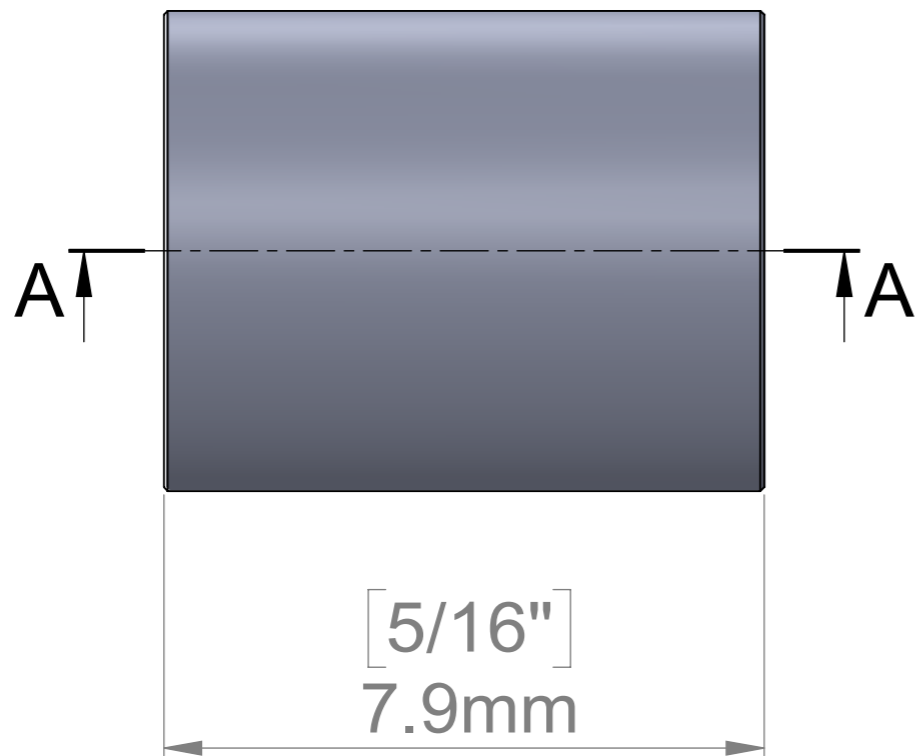
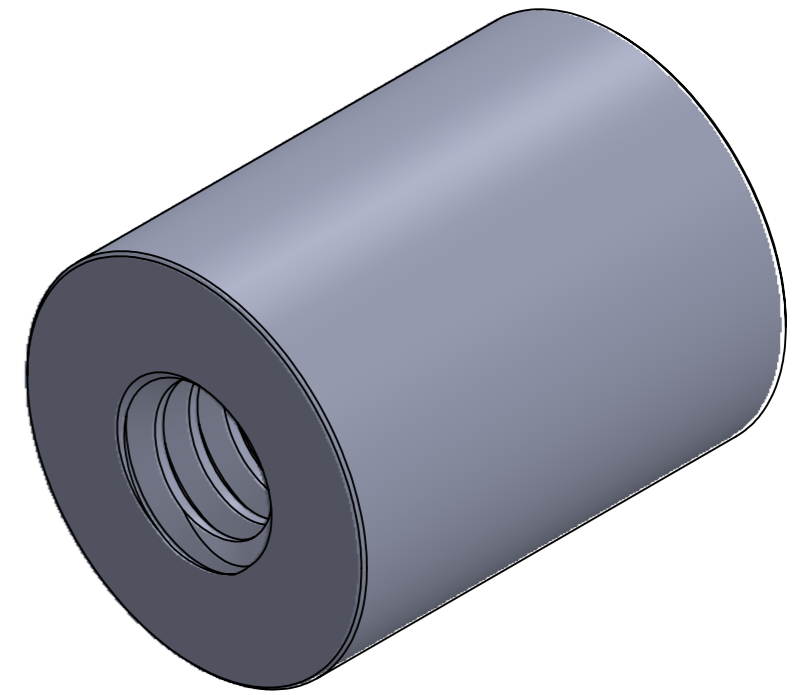
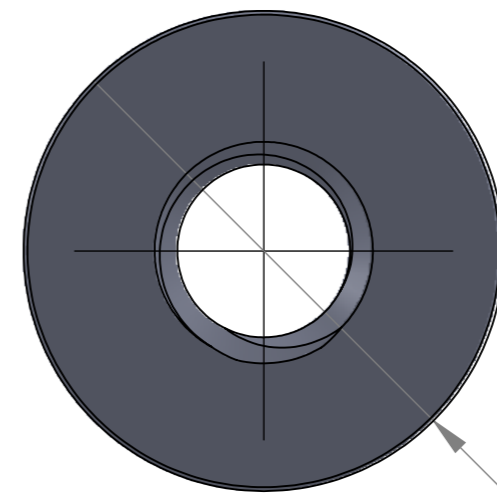


4-40 Threaded

SECTION A-A



[5/16"]
7.9mm



[1/4"]
Ø 6.4mm

Title : FC1681-440			Scale : 2:1		Mbs R&D	
			Sizes : Letter Landscape		Customer:	
	Mbs Standoffs 5046 W Linebaugh Ave Tampa, FL 33624 USA 1 (813) 938-6025	Material:	Finish	Qty :	Rep :	
		N°programme laser	N°prog. Mécanum.	N° Plan : FAH25-12		