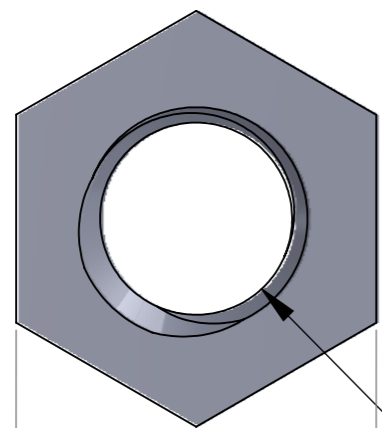


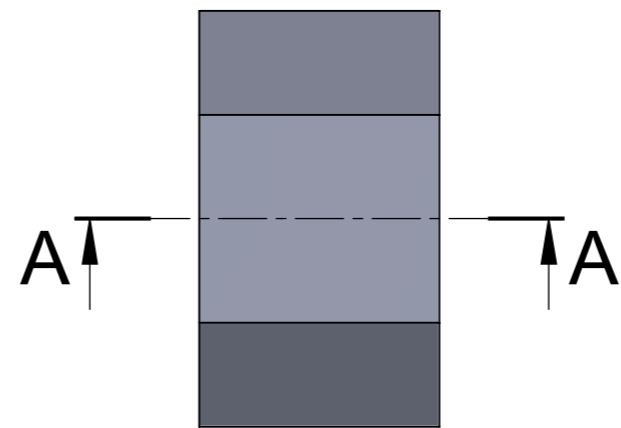
**4-40 Threaded**

**SECTION A-A**



**4-40 Threaded**

**[3/16"]**  
**4.8mm**



**[1/8"]**  
**3.2mm**

Title : <b>FC2051-440</b>			Scale : 1:2		Mbs R&D	
			Sizes : Letter Landscape		Customer:	
	Mbs Standoffs 5046 W Linebaugh Ave Tampa, FL 33634 USA 813-938-6025	Material:	Finish		Qty :	Rep :
		N°programme laser	N°prog. Mécanum.		N° Plan :	