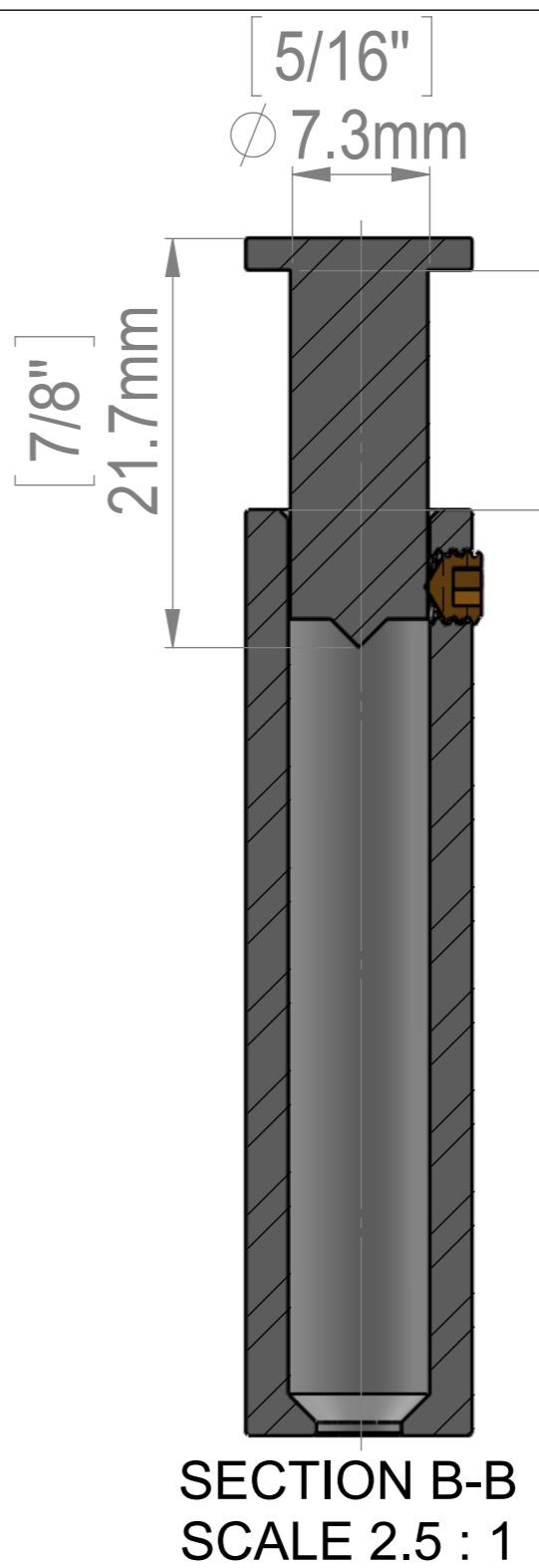
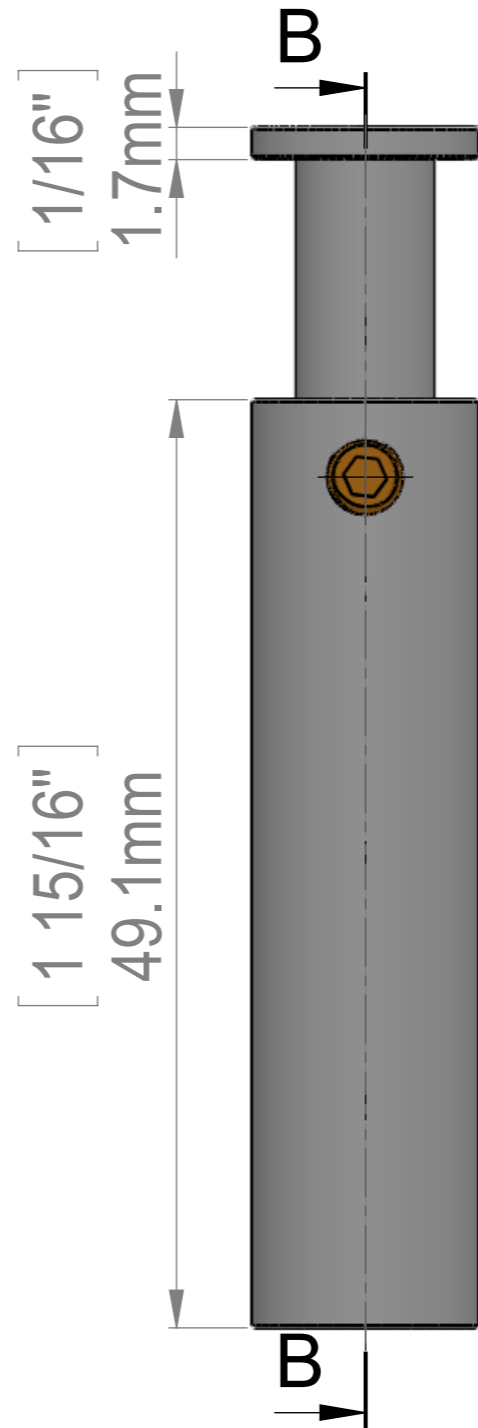
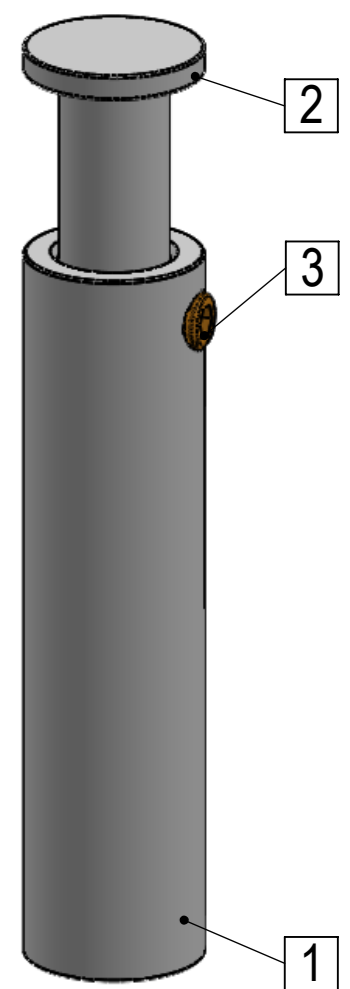


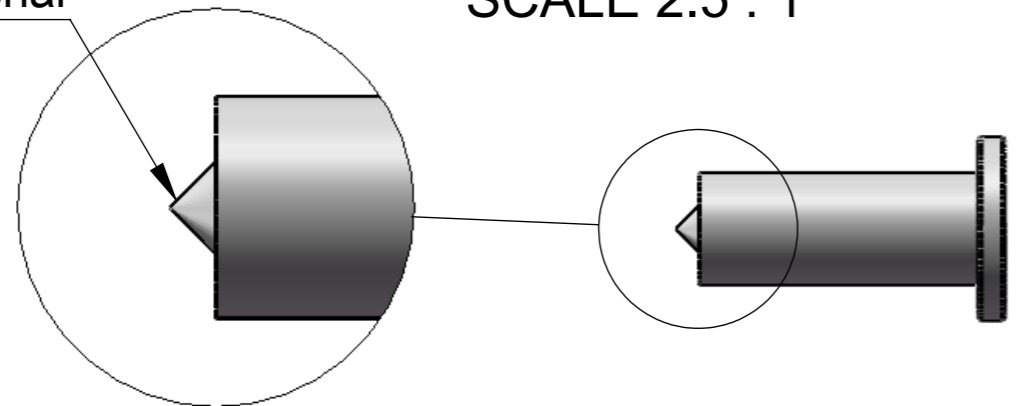
SECTION A-A
SCALE 2.5 : 1



SECTION B-B
SCALE 2.5 : 1



Bit to mark material



ITEM NO.	PART NUMBER	DESCRIPTION	QTY.
1	GS050-200_Body-12x50		1
2	GS050-100_Head		1
3	Set_Screw_M4xL3mm		1

Title : GS050-200		Scale : 2:1	Mbs R&D	
		Sizes : Letter Landscape	Customer:	
Material:		Finish	Qty :	Rep :
N°programme laser		N°prog. Mécanum.	N° Plan : GS050-200	

Mbs Standoffs
6420 Benjamin Rd
Tampa, FL 33634
USA
813-938-6025