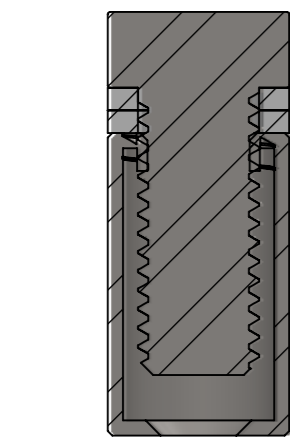
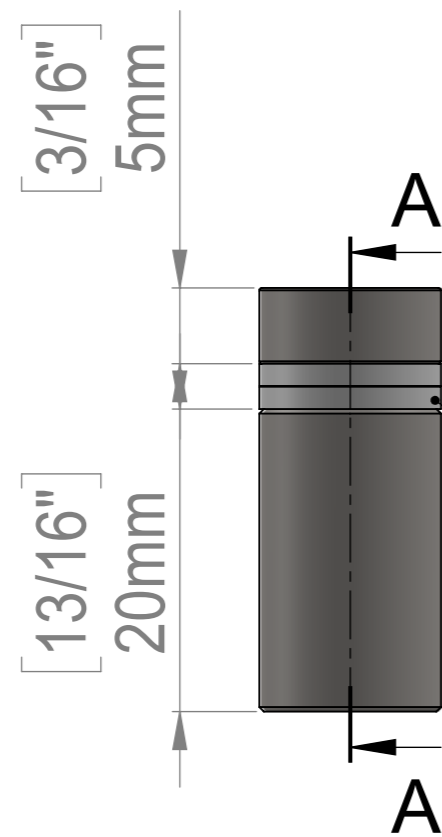


Maximum Material
Thick. Accepted

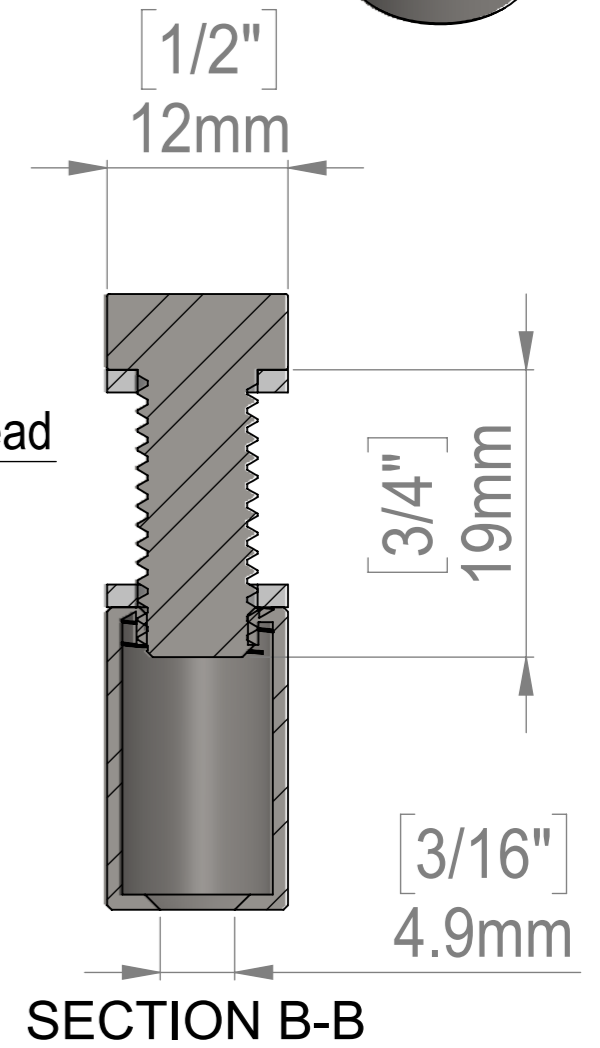
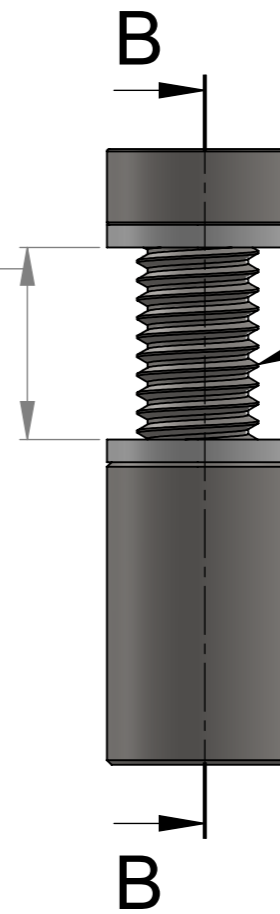
$\left[\frac{1}{2}'' \right]$
12.7mm



SECTION A-A



2 Silicone Washer



SECTION B-B

Title : HBL *12-25			Scale : 3.5:1		Mbs R&D	
Material: Hollow SS201			Sizes : Letter Landscape		Customer:	
 Htm-Mbs 5046 W Linebaugh Tampa, FL 33624 T: 1-813-938-6025	N°programme laser	Finish: Satin Brushed	Qty :	Rep :		
	N°prog. Mécanum.	N°:				