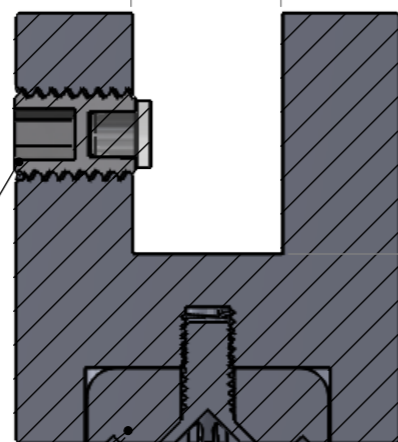


**Maximum
Material Accepted**

[3/8"]
9.9mm



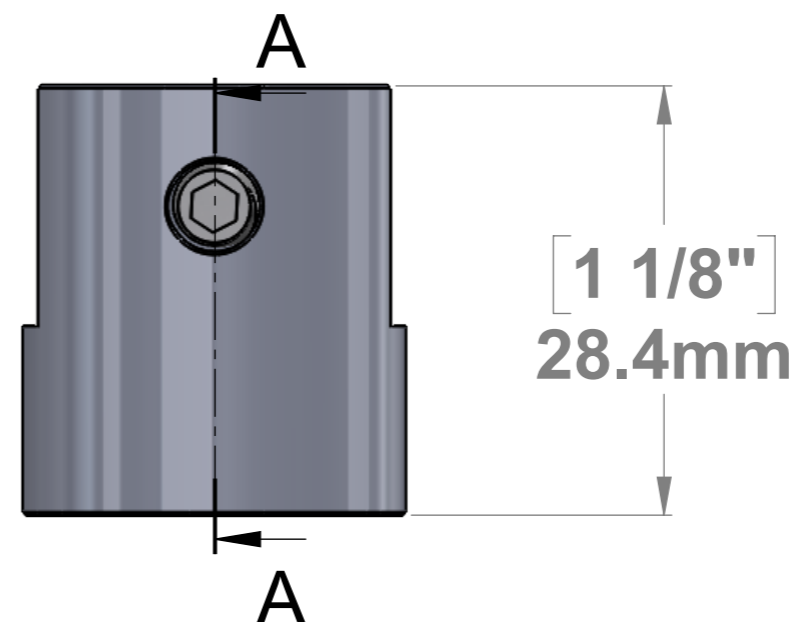
**M6X6 Set Screw
W / Plastic Tip**

**Magnet
Load Capacity
20lbs (9Kg)**

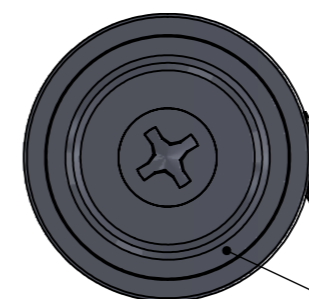
[1"]
∅ 25.4mm

[1/2"]
12.5mm

SECTION A-A



[1 1/8"]
28.4mm



**Magnet
Load Capacity
20lbs (9Kg)**

Title : MPG5010			Scale : 2:1	Mbs R&D	
			Sizes : Letter Landscape	Customer:	
	Mbs Standoffs 5046 W Linebaugh Ave Tampa, FL 33624 USA 1 (813) 938-6025	Material: Nylon	Finish: Clear	Qty :	Rep :
		N°programme laser	N°prog. Mécanum.	N° Plan :	