

Material Thick.
Accepted:
3/4" (19mm)

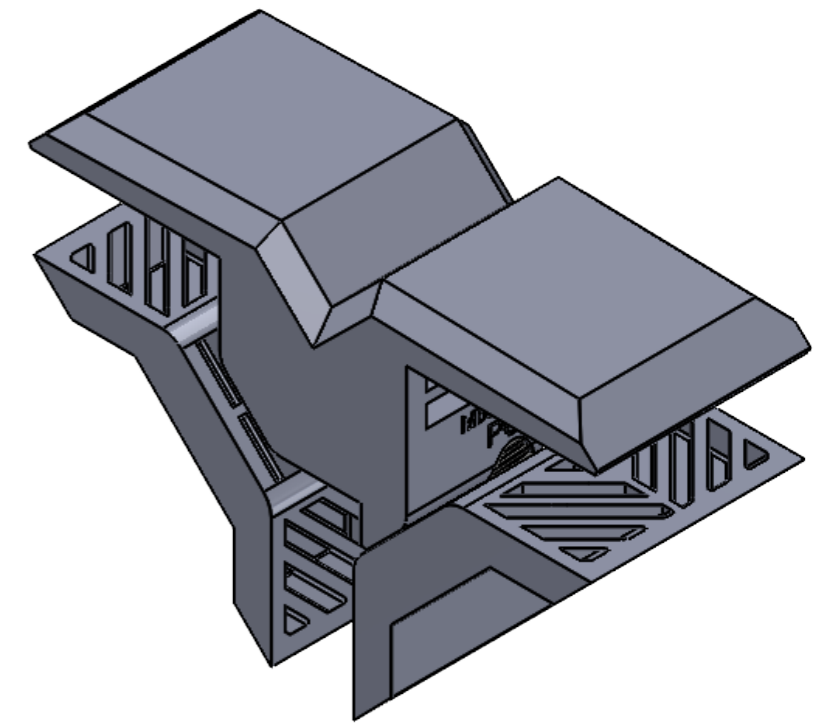
[4 3/16"]
106.4mm

[2 3/4"]
69.7mm

90°

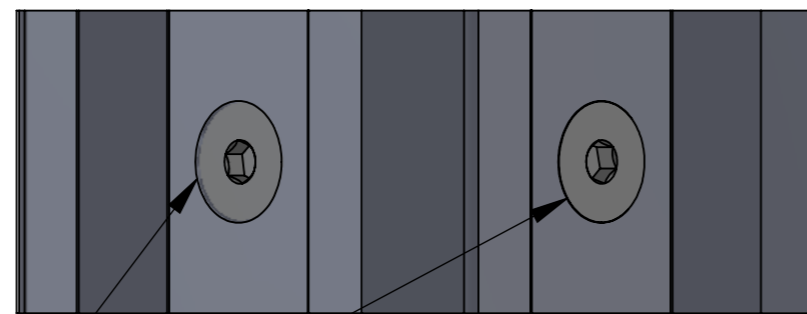
90°

Material Thick.
Accepted:
3/4" (19mm)



[1 9/16"]
40mm

Hex Bolt M8 Thread
Allen Key Size: 5mm



Title : PCT			Scale : 1:1	Mbs R&D	
			Sizes : Letter Landscape	Customer:	
	Mbs Standoffs 5046 W Linebaugh Ave Tampa, FL 33624 USA 1 (813) 938-6025	Material:: SS201	Finish: Brushed	Qty :	Rep :
		N°programme laser	N°prog. Mécanum.	N° Plan :	