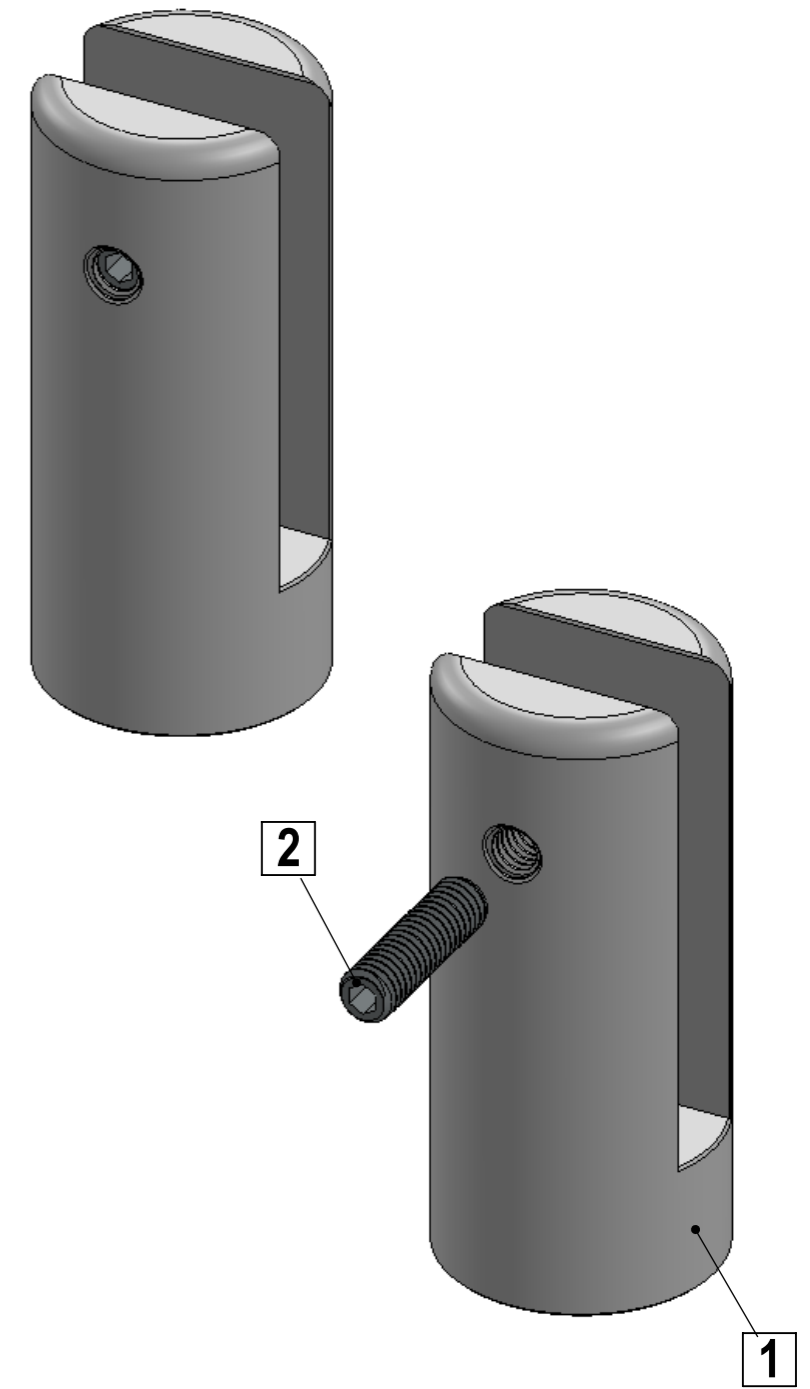


SECTION A-A
SCALE 2.5 : 1



ITEM NO.	PART NUMBER	DESCRIPTION	QTY.
1	PGS250_Body		1
2	Set_Screw_M4x16mm		1

Title : PGS250			Scale : 2:1	Mbs R&D	
			Sizes : Letter Landscape	Customer:	
		Material:	Finish	Qty :	Rep :
Mbs Standoffs 6420 Benjamin Rd Tampa, FL 33634 USA 813-938-6025		N°programme laser	N°prog. Mécanum.	N° Plan : PGS250	