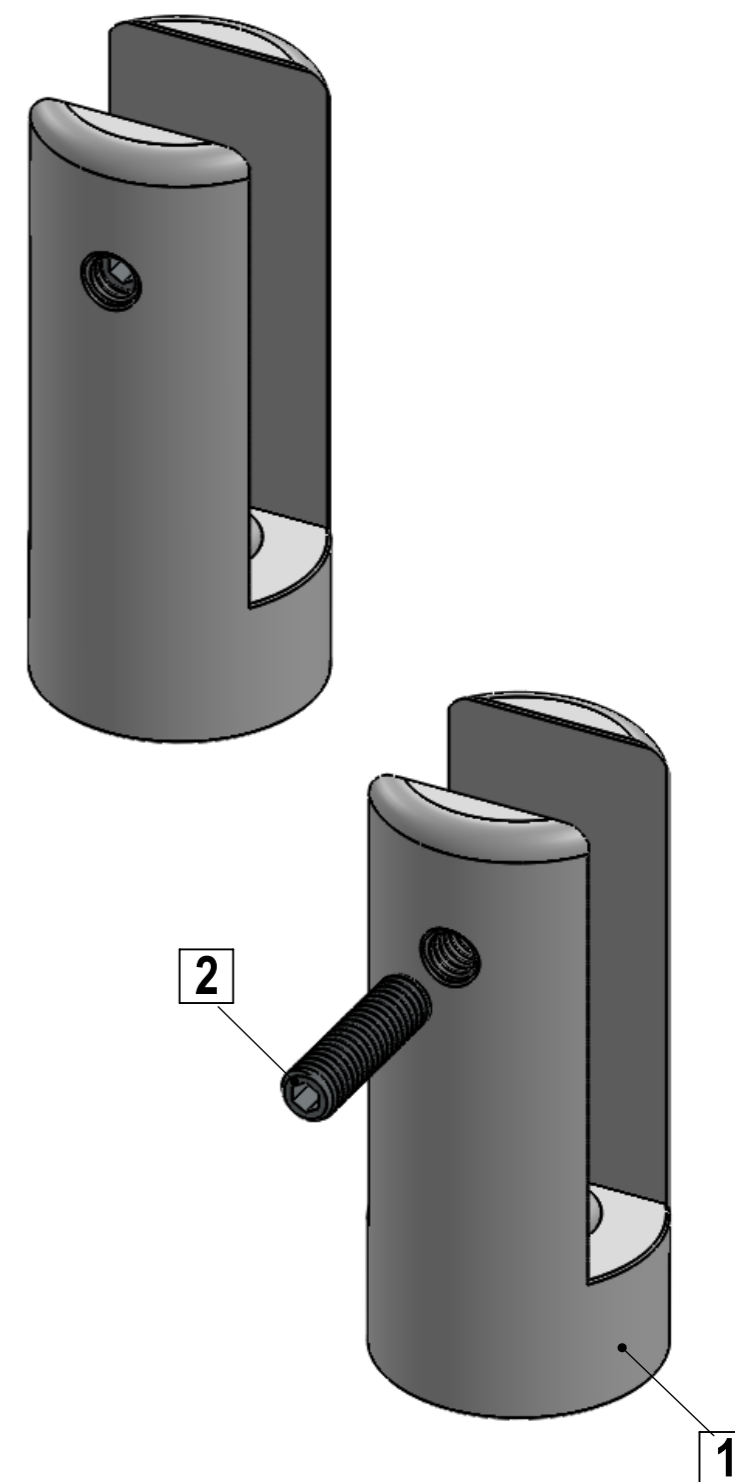


SECTION A-A  
SCALE 2.5 : 1



ITEM NO.	PART NUMBER	DESCRIPTION	QTY.
1	PGS375_Body		1
2	Set_Screw_M4x16mm		1

Title : PGS375			Scale : 2:1	Mbs R&D	
			Sizes : Letter Landscape	Customer:	
 Mbs Standoffs 6420 Benjamin Rd Tampa, FL 33634 USA 813-938-6025	Material:	Finish	Qty :	Rep :	
	N°programme laser	N°prog. Mécanum.	N° Plan : PGS375		