

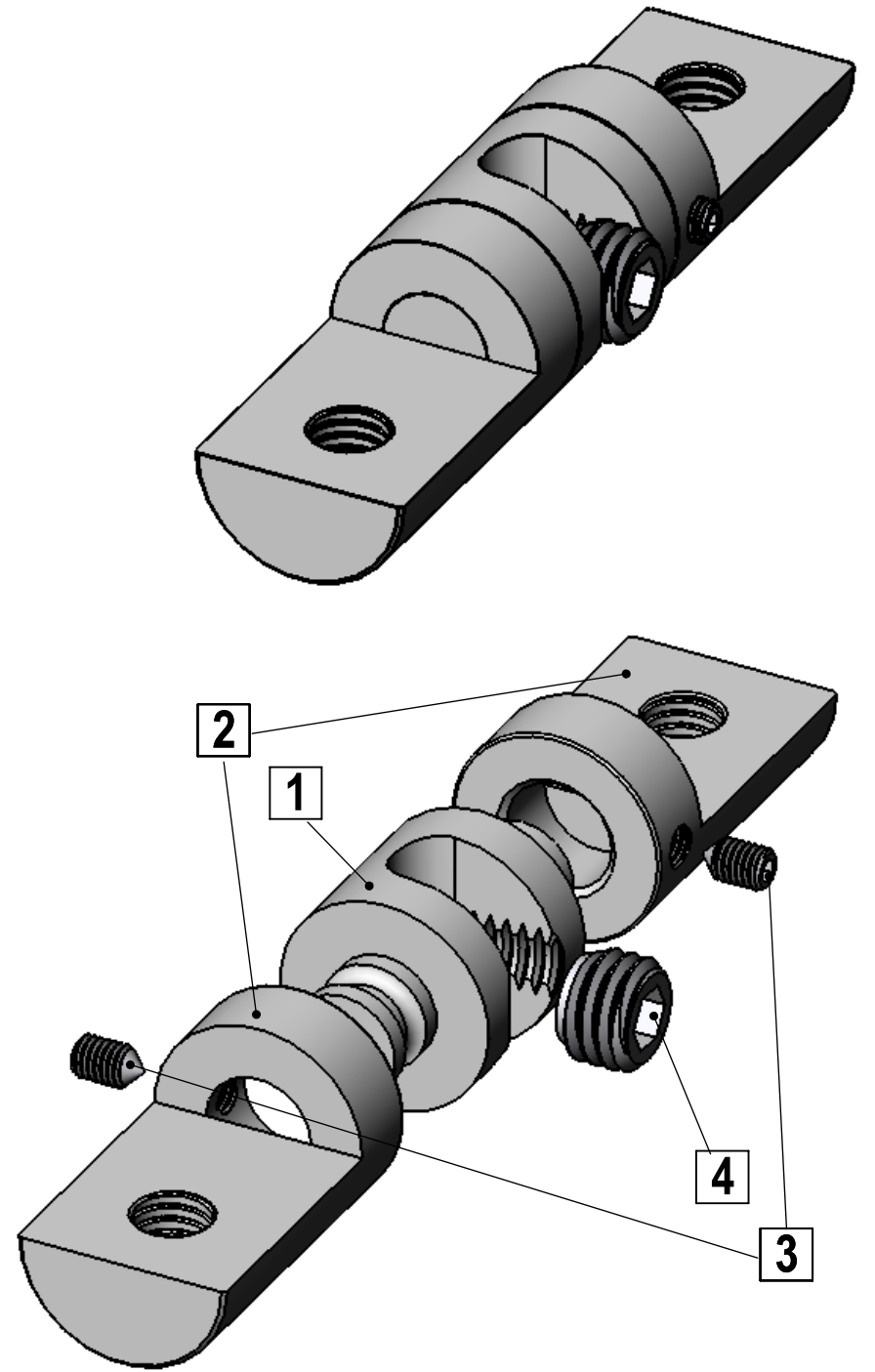
M8x4,5

1/8\"/>

2\"/>

M6 Thread  
1/4\"/>

M6 Thread  
1/4\"/>



ITEM NO.	PART NUMBER	DESCRIPTION	QTY.
1	RA1652B		1
2	RA1652A		2
3	M3 - 5 f		2
4	M8 x 4.5		1

Title : RA1652			Scale : 2:1	Mbs R&D	
			Sizes : Letter Landscape	Customer:	
	Htm-Mbs 6420 Benjamin Rd Tampa, FL 33634 T:1-813-938-6025	Material:	Finish	Qty :	Rep :
	N°programme laser	N°prog. Mécanum.	N° Plan : RA1652		