

[1 7/16"]
36mm

[1"]
25mm

[1/8"]
R3.1mm

[7/16"]
11mm

M8x4.5

[7/16"]
11mm

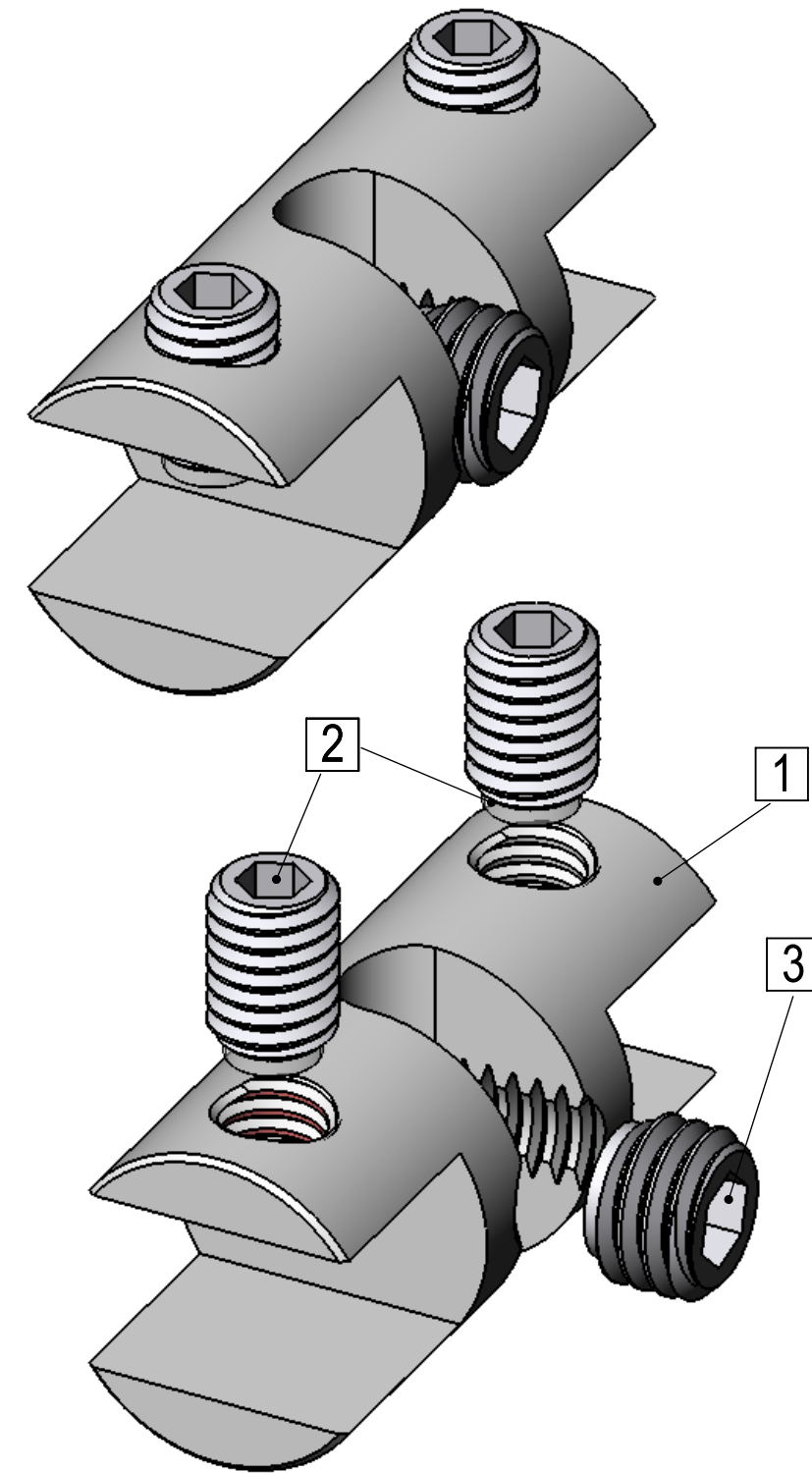
[5/8"]
Ø 16mm

[1/4"]
7mm

[1/4"]
7mm

M6x8 with cap

[3/8"]
9mm



ITEM NO.	PART NUMBER	DESCRIPTION	QTY.
1	RB1612A		1
2	M6x8 with cap		2
3	M8 x 4.5		1

Title : RB1612			Scale : 3:1	Mbs R&D	
 Htm-Mbs 6420 Benjamin Rd Tampa, FL 33634 T:1-813-938-6025			Sizes : Letter Landscape	Customer:	
Material:		Finish	Qty :	Rep :	
N°programme laser		N°prog. Mécanum.	N° Plan : RB1612		