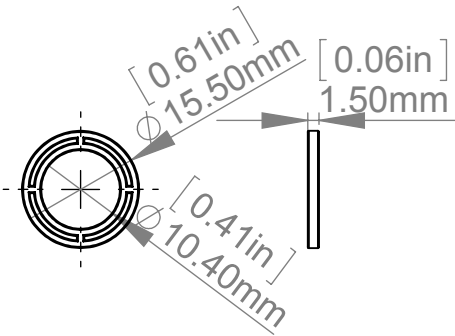



SECTION A-A

Silicone Washer



Item	Qty.	Description
1	1	SBL16-12 (M10) Body (16x12)
2	1	SBLS16 (M10) Head
3	2	SBLS16 (M10) Washer

Title : SBL16-12		Scale : 1:1		Mbs R&D	
 MBS Sign USA Tel.: 352-593-4151 Fax: 352-796-4437 Brooksville, FL		Material:		Customer:	
		N°programme laser		Qty :	
		Finish		N° Plan : SBL16-12	
		N°prog. Mécanum.			