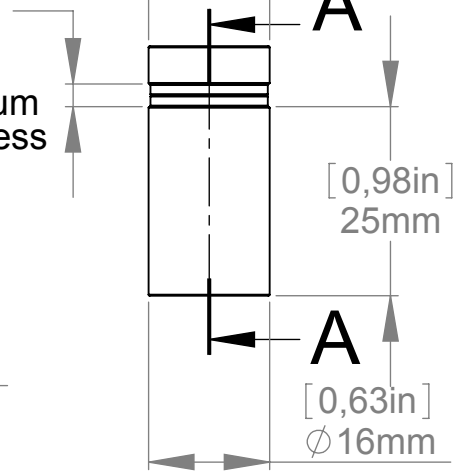
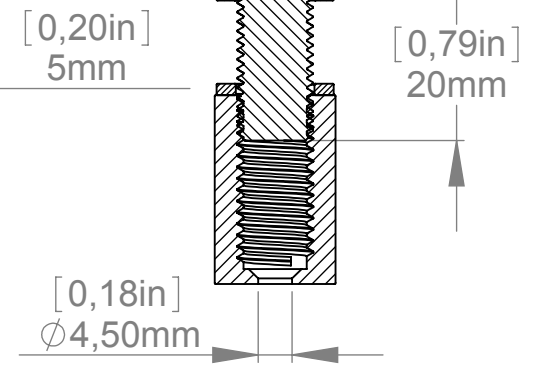
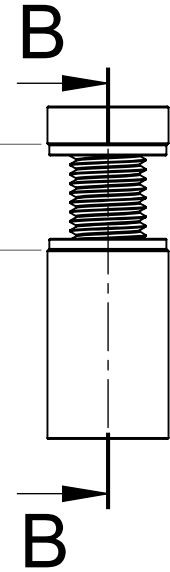


No Minimum Thickness

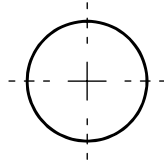


Maximum Thickness



SECTION A-A

SECTION B-B



Item	Qty.	Description
1	1	SBL16-30 (M10) Body (16x25)
2	1	LBLS16 (M10) Head
3	2	LBLS16 (M10) Washer

Title : SBL16-30			Scale : 1:1		Mbs R&D	
			Sizes : Letter Landscape		Customer:	
Material:		Finish		Qty :	Rep :	
N°programme laser		N°prog. Mécanum.		N° Plan : SBL16-30		