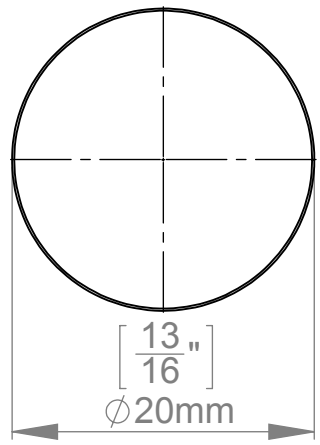


SECTION A-A



Item	Qty.	Description
1	1	SC20SSS Cap
2	1	M10xL3.2mm Screw

Title : SC20SSS		Scale : 2:1	Mbs R&D	
		Sizes : Letter Portrait	Customer:	
	Material: N°programme laser	Finish	Qty :	Rep :
		N°prog. Mécanum.	N° Plan : SC20SSS	