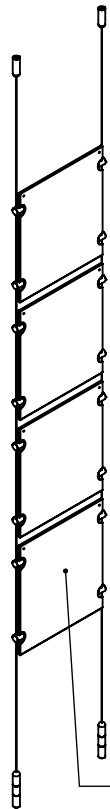


2

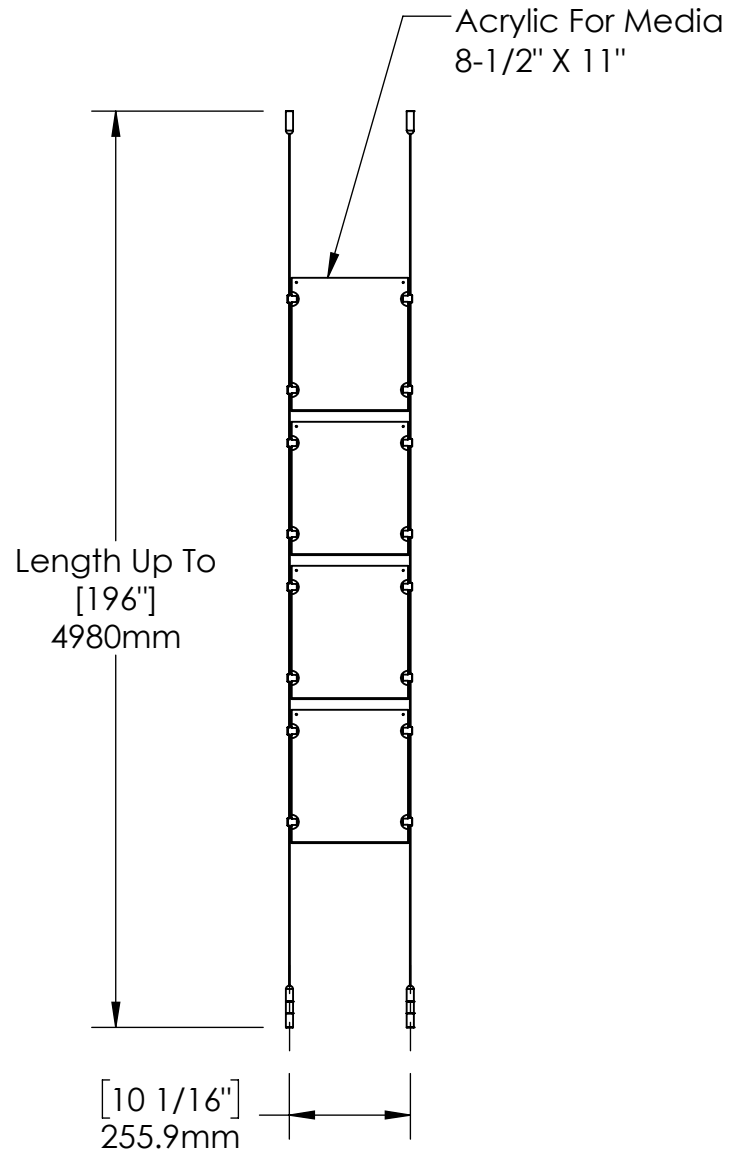
1

B

B



Height Adjustable
Acrylic and Panel Grippers



A

A

2

1



Mbs Standoffs
5046 W Linebaugh Ave
Tampa, FL 33624 USA
(813) 938-6025

ASSEMBLY NO.

SCG1904-8511-1X4

SCALE: 1:16

SHEET 1 OF 1