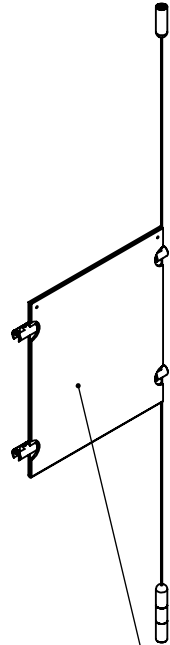


2

1

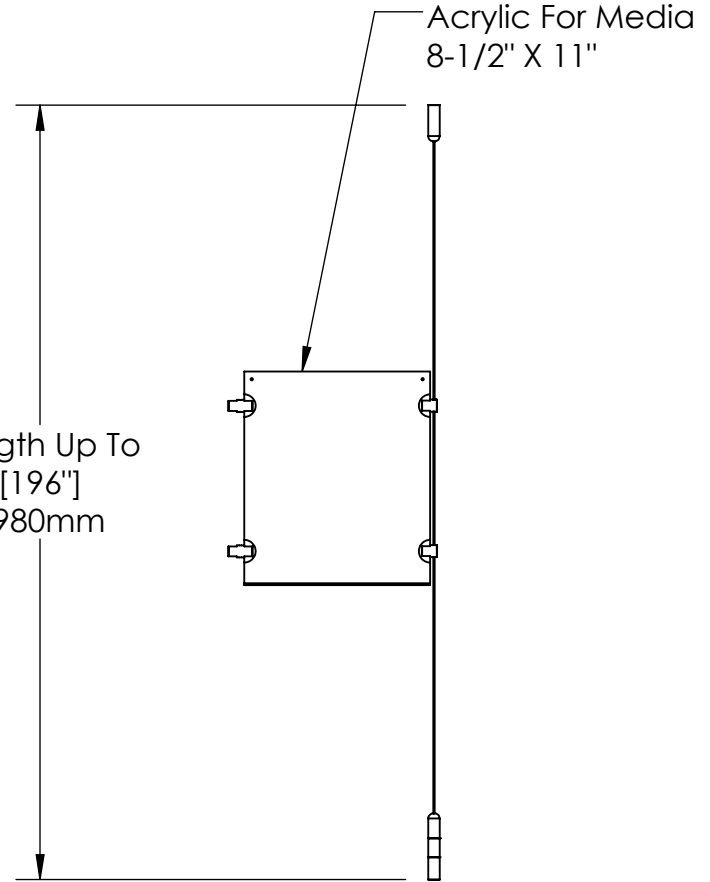
B

B



Height Adjustable  
Acrylic and Panel Grippers

Length Up To  
[196"]  
4980mm



Acrylic For Media  
8-1/2" X 11"

A

A

2

1



**Mbs Standoffs**  
5046 W Linebaugh Ave  
Tampa, FL 33624 USA  
(813) 938-6025

ASSEMBLY NO.

**SCG1904-8511-E3X1**

SCALE: 1:10

SHEET 1 OF 1