

2

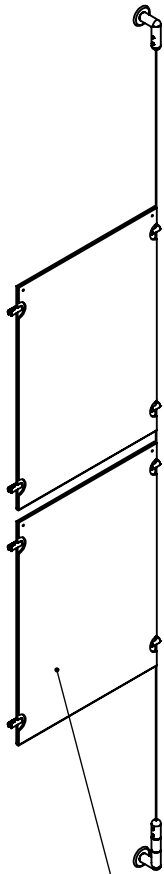
1

B

B

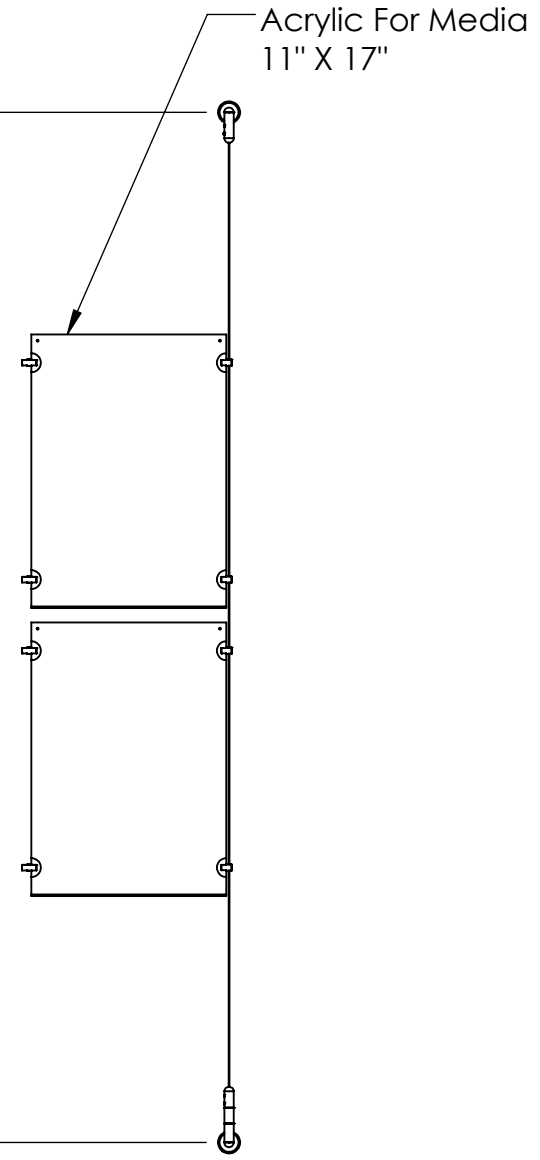
A

A



Height Adjustable
Acrylic and Panel Grippers

Length Up To
[196"]
4980mm



Acrylic For Media
11" X 17"

Mbs Standoffs
5046 W Linebaugh Ave
Tampa, FL 33624 USA
(813) 938-6025



ASSEMBLY NO.
SCG1908-1117-E3X2

SCALE: 1:12

SHEET 1 OF 1

2

1