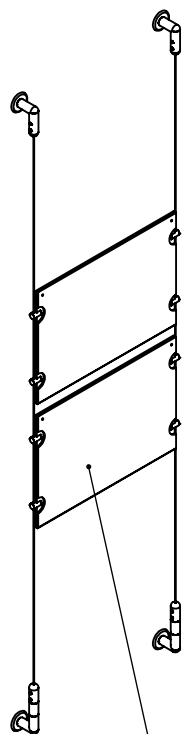


2

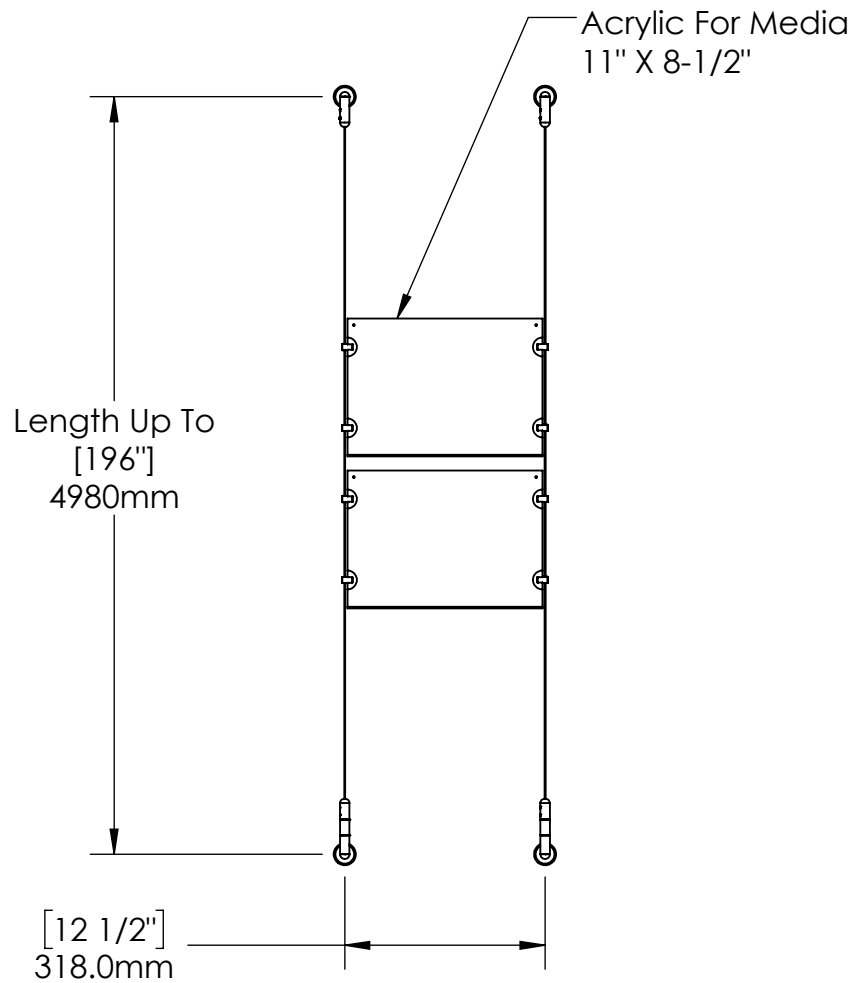
1

B

B



Height Adjustable  
Acrylic and Panel Grippers



Acrylic For Media  
11" X 8-1/2"

Length Up To  
[196"]  
4980mm

[12 1/2"]  
318.0mm

A

A

2

1



**Mbs Standoffs**  
5046 W Linebaugh Ave  
Tampa, FL 33624 USA  
(813) 938-6025

ASSEMBLY NO.

**SCG1908-1185-1X2**

SCALE: 1:12

SHEET 1 OF 1