

2

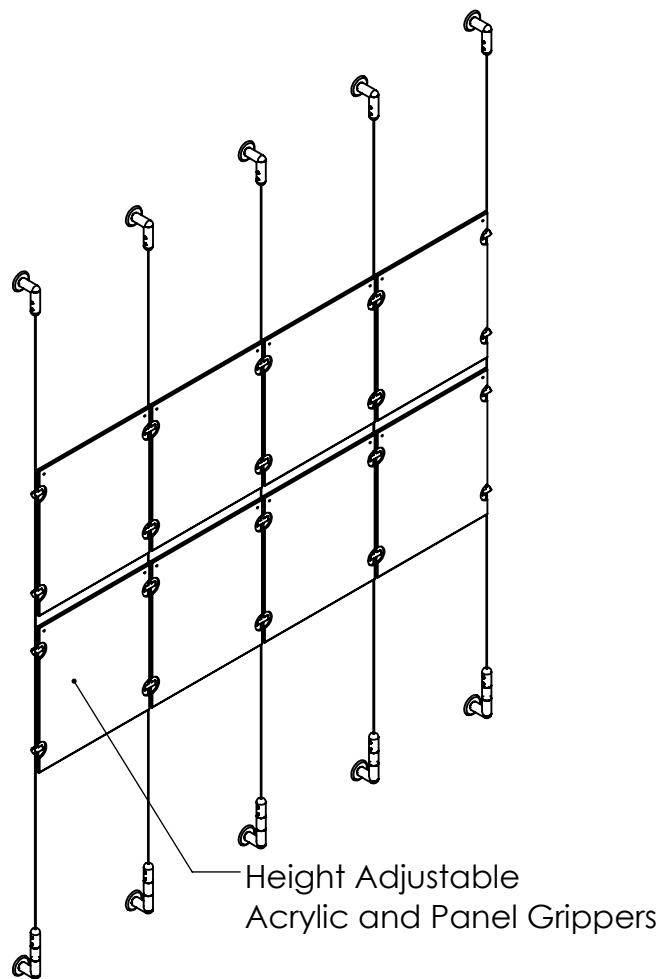
1

B

B

A

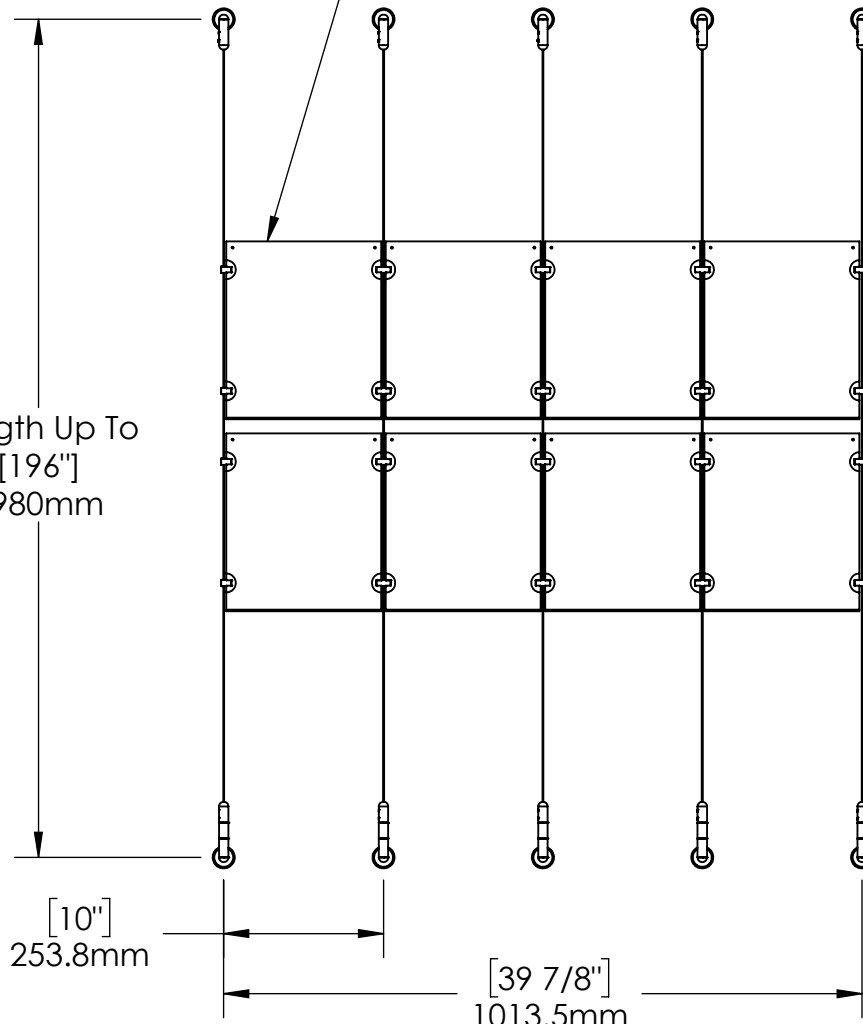
A



Length Up To
[196"]
4980mm

[10"]
253.8mm

Acrylic For Media
8-1/2" X 11"



Mbs Standoffs
5046 W Linebaugh Ave
Tampa, FL 33624 USA
(813) 938-6025

ASSEMBLY NO.

SCG1908-8511-A4X2

SCALE: 1:12

SHEET 1 OF 1

2

1