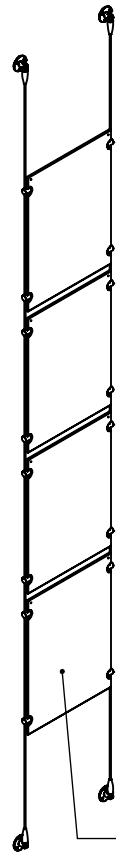


2

1

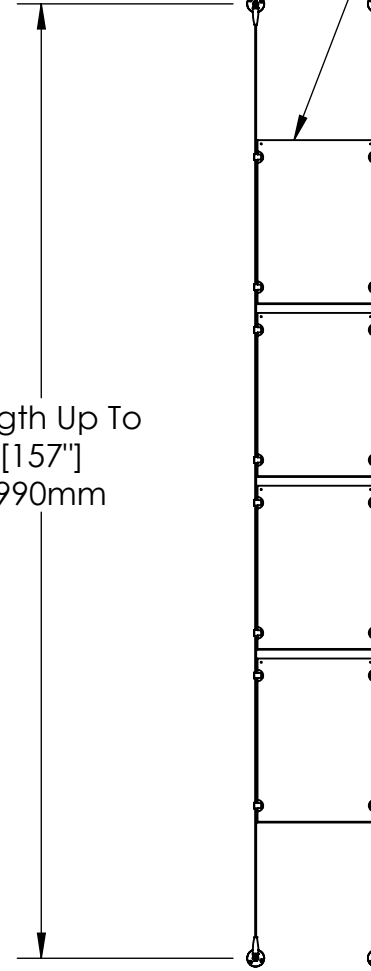
B

B



Height Adjustable
Acrylic and Panel Grippers

Acrylic For Media
11" X 17"



Length Up To
[157"]
3990mm


[12 9/16"]
319.4mm

A

A

2

1

 **Mbs Standoffs**
5046 W Linebaugh Ave
Tampa, FL 33624 USA
(813) 938-6025

ASSEMBLY NO.
SCS3A-1117-1X4

SCALE: 1:20

SHEET 1 OF 1