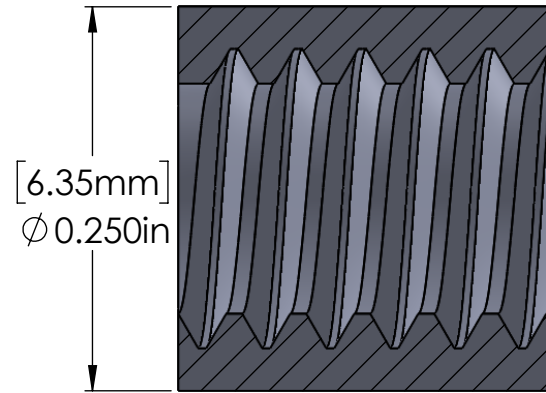
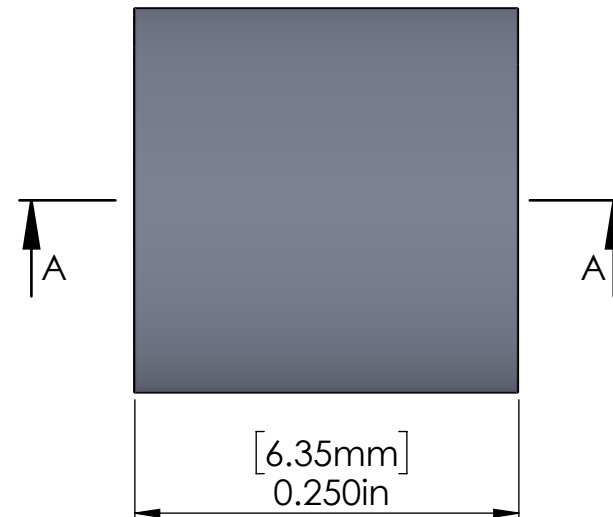




THREADED #10-24



SECTION A-A



| | | | | | |
|--|--|--|--|---------------------------|-----------------------|
| Title: SP25-1024-16 | |  Tolerance OD ± .005in [.125mm] ID ± .003in [.075mm] Length ± .005in [.125mm] | | Scale: 8:1 | Mbs R&D |
|  Mbs Standoffs 8420 Benjamin Rd Tampa, FL 33634 USA 813 938 6025 | | Material: Aluminum 6061-T6 | | Sizes: Letter Landscape | Customer: |
| | | N° programme laser | | Finish: Plain Aluminum | Qty: Rep: |
| | | | | N° prog. Mécanum. | N° Plan: SP25-1024-16 |