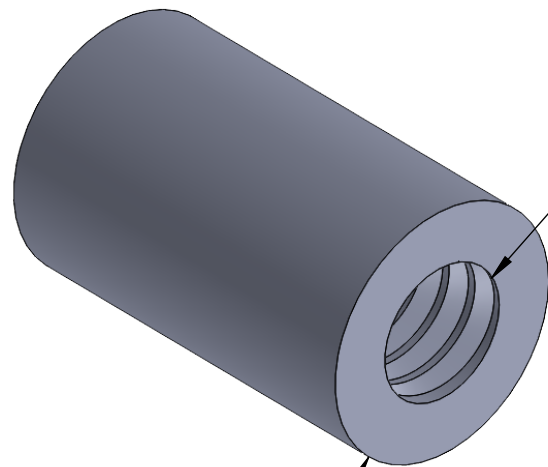
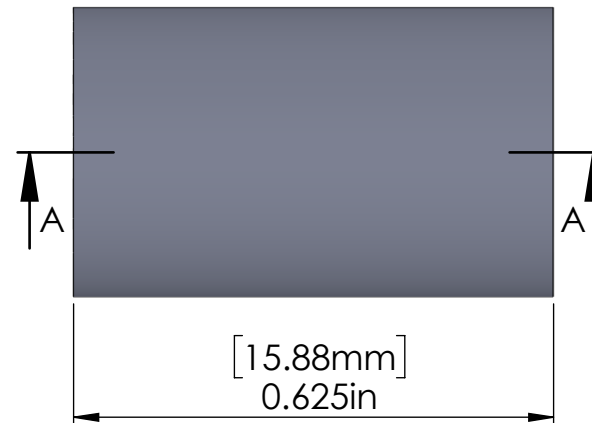




SECTION A-A



THREADED 1/4-20

[9.53mm]
Ø.375in



Title: SP38-1420-40		 Tolerance OD ± .005in [.125mm] ID ± .003in [.075mm] Length ± .005in [.125mm]	Scale: 4:1	Mbs R&D
 Mbs Standoffs 8420 Benjamin Rd Tampa, FL 33634 USA 813 938 6025		Material: Aluminum 6061-T6	Sizes: Letter Landscape	Customer:
N° programme laser		Finish: Plain Aluminum	Qty:	Rep:
		N° prog. Mécanum.	N° Plan: SP38-1420-40	