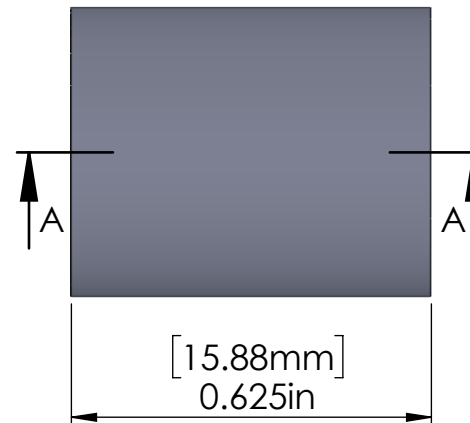
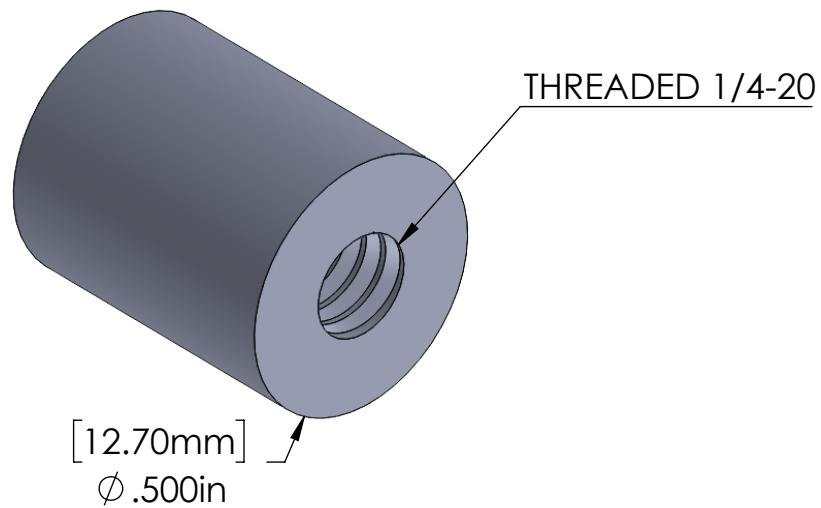




SECTION A-A



Title: SP50-1420-40-BA		 Tolerance OD ± .005in [.125mm] ID ± .003in [.075mm] Length ± .005in [.125mm]	Scale: 3:1	Mbs R&D	
			Sizes: Letter Landscape	Customer:	
 Mbs Standoffs 8420 Benjamin Rd Tampa, FL 33634 USA 813 938 6025	Material: Aluminum 6061-T6	Finish: Black Anodized	Qty:	Rep:	
	N° programme laser	N° prog. Mécanum.	N° Plan: SP50-1420-40-BA		