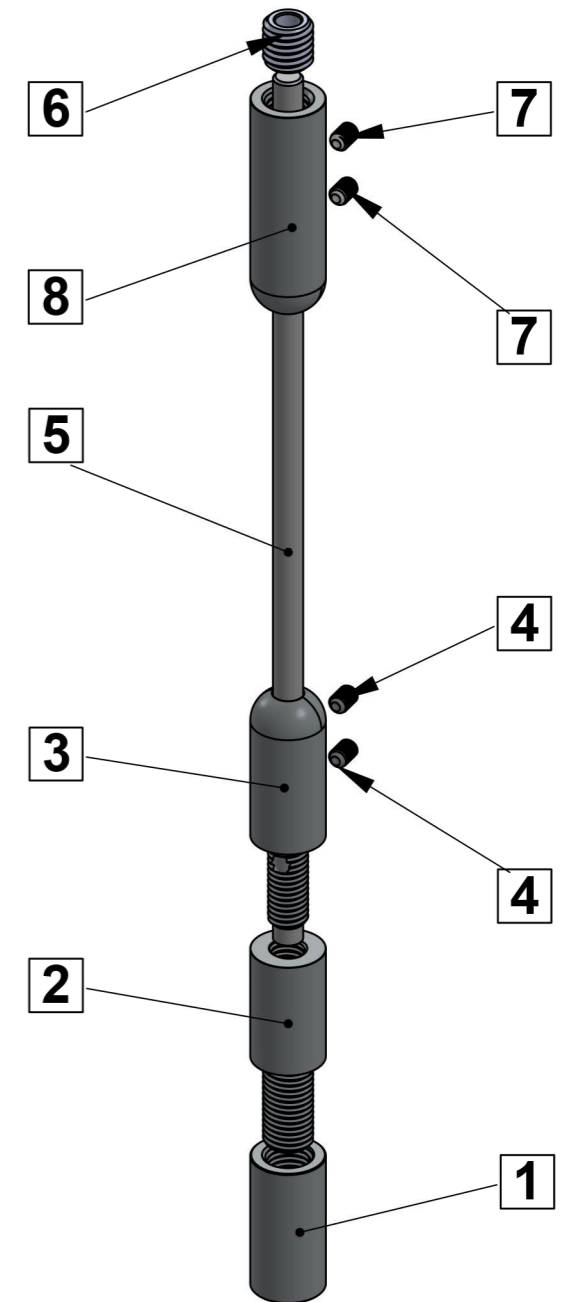
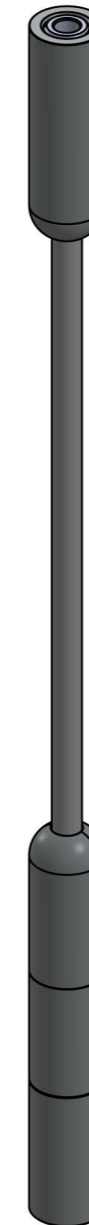



- SRG1904 Without Rod
- SRG1904-1 With Rod L 3' (1m)
- SRG1904-2 With Rod L 4' 11" (1.5m)
- SRG1904-3 With Rod L 6' (2m)
- SRG1904-4 With Rod L 9' (3m)



ITEM NO.	PART NUMBER	DESCRIPTION	QTY.
1	100.362_Support	M10-Reverse-Thread	1
2	100.362	Body_Reverse-Thread	1
3	100.362-R_Body		1
4	M4xL6mm	Set-Screw Réaliste	2
5	RG1900	rod 6 mm	1
6	M10	100.363 Support	1
7	M4x6_Réaliste	Vis sans tete a six pans creux a bout cuvette	2
8	100.363-R Body		1

Title : SRG1904		Scale : 1:1.5 Sizes : Letter Landscape	Mbs R&D	
Material:			Customer:	
 Mbs Standoffs 5046 W. Linebaugh Ave. Tampa, FL. 33634 (813) 938-6025	N°programme laser	Finish	Qty :	Rep :
		N°prog. Mécanum.	N° Plan : SRG1904	