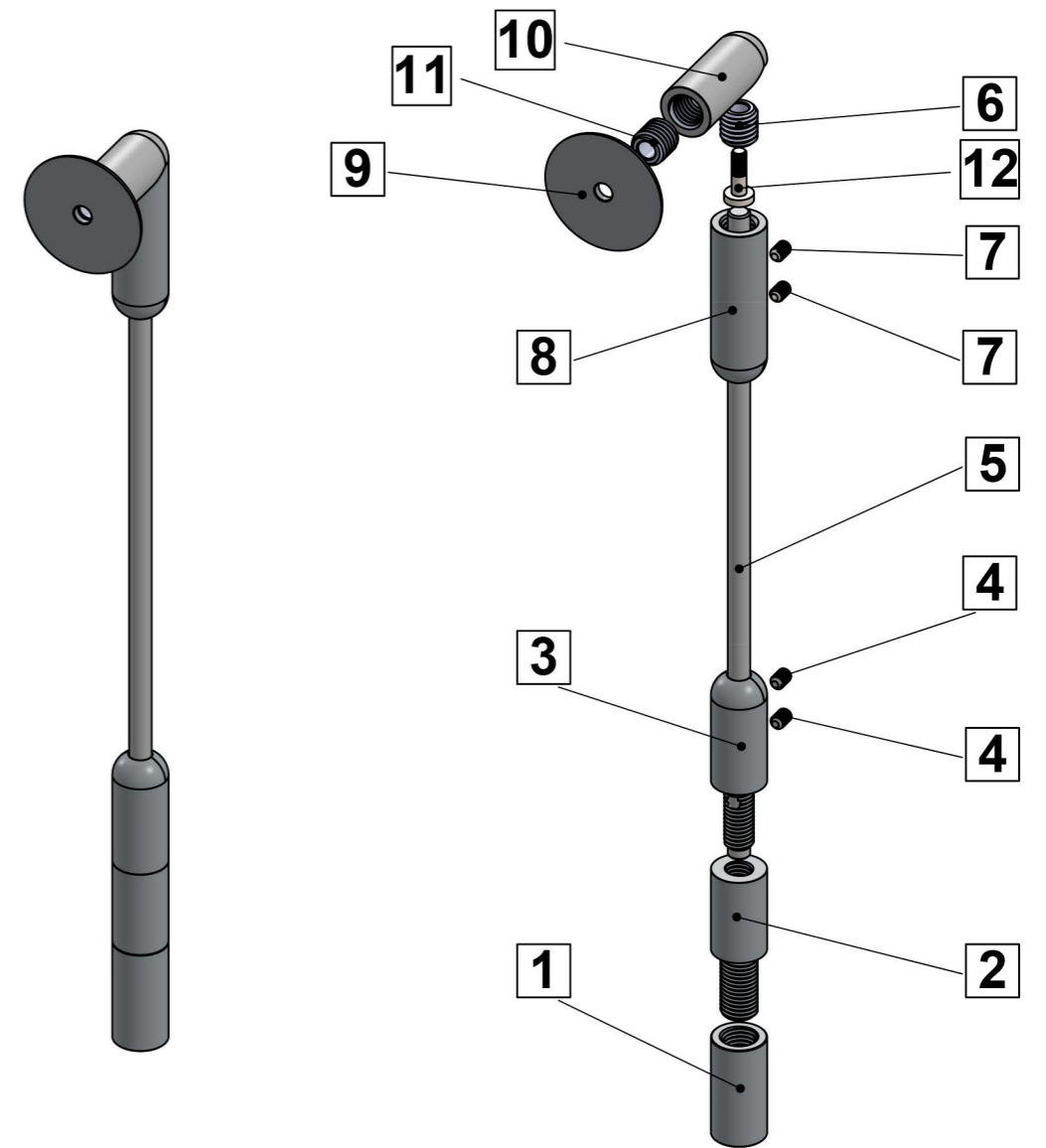



SRG1906 Without Rod
 SRG1906-1 With Rod L 3' (1m)
 SRG1906-2 With Rod L 4' 11" (1.5m)
 SRG1906-3 With Rod L 6' (2m)
 SRG1906-4 With Rod L 9' (3m)



ITEM NO.	PART NUMBER	DESCRIPTION	QTY.
1	100.362_Support	M10-Reverse-Thread	1
2	100.362	Body_Reverse-Thread	1
3	100.362-R_Body		1
4	M4xL6mm	Set-Screw_Réaliste	2
5	RG1900	rod 6 mm	1
6	M10	100.363 Support	1
7	M4x6_Réaliste	Vis sans tete a six pans creux a bout cuvette	2
8	100.363-R Body		1
9	100.365		1
10	100.364 Body		1
11	M10	100.364 Support	1
12	M4x8	Vis a tete cylindrique bombée cruciforme type Z	1

Title : SRG1906		Scale : 1:2 Sizes : Letter Landscape	Mbs R&D	
Material:			Customer:	
 Mbs Standoffs 5046 W. Linebaugh Ave. Tampa, FL. 33634 (813) 938-6025	N°programme laser	Finish	Qty :	Rep :
	N°prog. Mécanum.	N° Plan : SRG1906		